

Threaded Accessories

B3201 - Forged Steel Clevis with Pin

B3201W0 - Forged Steel Clevis without Pin

Size Range: 3/8"-16 thru 2"-4 1/2 rod

Material: Forged Steel

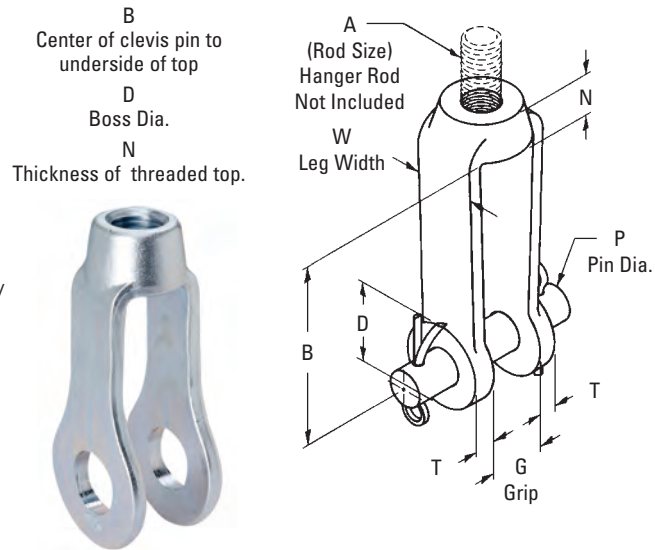
Function: For use on high temperature piping installations providing hanger rod adjustability.

Features: Complies fully with code for pressure piping. Supports loads equal to the full limitation of the hanger rod. Available with pin and cotter pins, if required.

Approvals: Conforms to Federal Specification WW-H-171E & A-A-1192A, Type 14 and Manufacturers Standardization Society ANSI/MSS SP-69 & SP-58, Type 14.

Finish: Plain. Contact customer service for alternative finishes and materials.

Order By: Part number, rod size and finish. If pin and cotter pins are required, specify "with pin". If other than standard combination of clevis size and rod tapping is required, specify clevis number, special rod tapping size and grip.



Part No.	Rod Size	B		D		Grip G		Pin Dia. N		P	
	A	in.	(mm)	in.	(mm)	in.	(mm)	in.	(mm)	in.	(mm)
B3201-3/8	3/8"-16	39/16"	(90.5)	17/16"	(36.5)	1/2"	(12.7)	5/8"	(15.9)	1/2"	(12.7)
B3201-1/2	1/2"-13	39/16"	(90.5)	17/16"	(36.5)	1/2"	(12.7)	5/8"	(15.9)	5/8"	(15.9)
B3201-5/8	5/8"-11	39/16"	(90.5)	17/16"	(36.5)	5/8"	(15.9)	5/8"	(15.9)	3/4"	(19.0)
B3201-3/4	3/4"-10	4"	(101.6)	2 1/2"	(63.5)	3/4"	(19.0)	1 1/8"	(28.6)	7/8"	(22.2)
B3201-7/8	7/8"-9	4"	(101.6)	2 1/2"	(63.5)	7/8"	(22.2)	1 1/8"	(28.6)	1"	(25.4)
B3201-1	1"-8	5 1/16"	(128.6)	3"	(76.2)	1"	(25.4)	1 1/4"	(31.7)	1 1/8"	(28.6)
B3201-1 1/8	1 1/8"-7	5 1/16"	(128.6)	3"	(76.2)	1 1/8"	(28.6)	1 1/4"	(31.7)	1 1/4"	(31.7)
B3201-1 1/4	1 1/4"-7	5 1/16"	(128.6)	3"	(76.2)	1 1/4"	(31.7)	1 1/4"	(31.7)	1 3/8"	(34.9)
B3201-1 1/2	1 1/2"-6	6"	(152.4)	3 1/2"	(88.9)	1 1/2"	(38.1)	1 1/2"	(38.1)	1 5/8"	(41.3)
B3201-1 3/4	1 3/4"-5	5 15/16"	(150.8)	4"	(101.6)	1 1/2"	(38.1)	1 3/4"	(44.4)	1 7/8"	(47.6)
B3201-2	2"-4 1/2	7"	(177.8)	5"	(127.0)	2 1/2"	(63.5)	2 1/4"	(57.1)	2 1/4"	(57.1)

Part No.	T in. (mm)	W in. (mm)	Design Load		Approx. Wt./100	
			650°F (343°C) Lbs. (kN)	750°F (399°C) Lbs. (kN)	With Pin Lbs. (kg)	Without Pin Lbs. (kg)
B3201-3/8	5/16" (7.9)	1 1/16" (27.0)	730 (3.25)	572 (2.54)	102 (46.2)	85 (38.5)
B3201-1/2	5/16" (7.9)	1 1/16" (27.0)	1350 (6.00)	1057 (4.70)	112 (50.8)	82 (37.2)
B3201-5/8	5/16" (7.9)	1 1/16" (27.0)	2160 (9.61)	1692 (7.52)	134 (60.8)	78 (35.4)
B3201-3/4	3/8" (9.5)	1 1/4" (31.7)	3230 (14.37)	2530 (11.25)	250 (113.4)	163 (73.9)
B3201-7/8	3/8" (9.5)	1 1/4" (31.7)	4480 (19.93)	3508 (15.60)	305 (138.3)	161 (73.0)
B3201-1	1/2" (12.7)	1 1/2" (38.1)	5900 (26.24)	4620 (20.55)	656 (297.5)	449 (203.6)
B3201-1 1/8	1/2" (12.7)	1 1/2" (38.1)	7450 (33.14)	5830 (25.93)	718 (325.7)	433 (196.4)
B3201-1 1/4	1/2" (12.7)	1 1/2" (38.1)	9500 (42.25)	7440 (33.09)	603 (273.5)	382 (173.3)
B3201-1 1/2	1/2" (12.7)	1 3/4" (44.4)	13800 (61.38)	10807 (48.07)	952 (431.8)	600 (272.1)
B3201-1 3/4	1/2" (12.7)	2" (50.8)	18600 (82.73)	14566 (64.79)	1357 (615.5)	800 (362.9)
B3201-2	5/8" (15.9)	2 1/2" (63.5)	24600 (109.42)	19625 (87.29)	2403 (1090.0)	1600 (725.7)

All dimensions in charts and on drawings are in inches. Dimensions shown in parentheses are in millimeters unless otherwise specified.