

Cielo Breez Max

Overview



Model Number

Black : BM101WA

White : BM102WA

Display

Sharp LCD display showing live temperature and humidity. You can set temperature, mode, fan speed and more.

In-Built Temperature & Humidity Sensors

Continuously monitor your room environment for ultimate comfort.

Energy Savings

Save up to 25% on your heating/cooling costs.

Control From Anywhere

Manage your home climate from anywhere in the world using the free Cielo Home App for iOS, Android, and web.

Cielo Linked (Integrated Controls)

Reduce reliance on fossil fuel-based heating systems.

Rebates

Enjoy exclusive rebates provided by your local utility company. To check eligibility, visit: cielowigle.com/rebates

Smart Features

Comfy Max

An AI-backed feature that maintains your desired room temperature by intelligently adjusting your mini-split settings to avoid overheating/overcooling.

7-Day Scheduling

Set daily or weekly schedules based on your lifestyle.

Presets

Enjoy a truly tailored experience with predefined comfort settings, including Home, Away, and Sleep.

Geofencing

Location-based controls to manage your heating or cooling. Automatically pre-cools or pre-heats your home before you arrive and turns it off when you leave.

Usage History

Keep an eye on your usage patterns and find opportunities to save energy.

Temperature Range Lock

Set a temperature range for your mini-split to operate within. Perfect for vacation rentals.

Air Filter Status

Receive automatic alerts when your filters require cleaning.

Follow Me

Avoid hot & cold spots by allowing mini-split to rely on Breez Max's inbuilt temperature sensors.

Freeze Protection

Freeze Protection (FP) is designed to protect your home from freezing temperatures.

Groups

Group multiple Cielo Breez Max devices into a zone and control all of them with a simple tap.

Compatibility:

Works with mini-split, window, or portable air conditioners & heat pumps that come with an IR remote.

Power Source:

5V-DC from wall Adapter
-OR-
24V-AC

Voltage:

5V DC

Network Standby Average Power Consumption:

≤ 0.7W

Time to Enter Network Standby After User Interaction:

≤ 1.0 minute

Static Temperature Accuracy:

≤ ± 1.0° F

Storage:

Temperature: -31° F to 113° F
Humidity: 5% to 95% RH (non-condensing)

Operating Temperature:

23° F to 122° F

Operating Humidity:

5% to 95% (non-condensing)

Temperature Setpoint Limit:

45° F to 90° F (Depends on mini-split make & model)

Radio Parameter:

Frequency Band : 2.412 to 2.484 GHz
Maximum Radio-Frequency power : 20 dBm
WLAN Standard : IEEE 802.11 b/g/n
WLAN Channel : 1-11

Built-in Sensors:

- > Temperature Sensor
- > Humidity Sensor

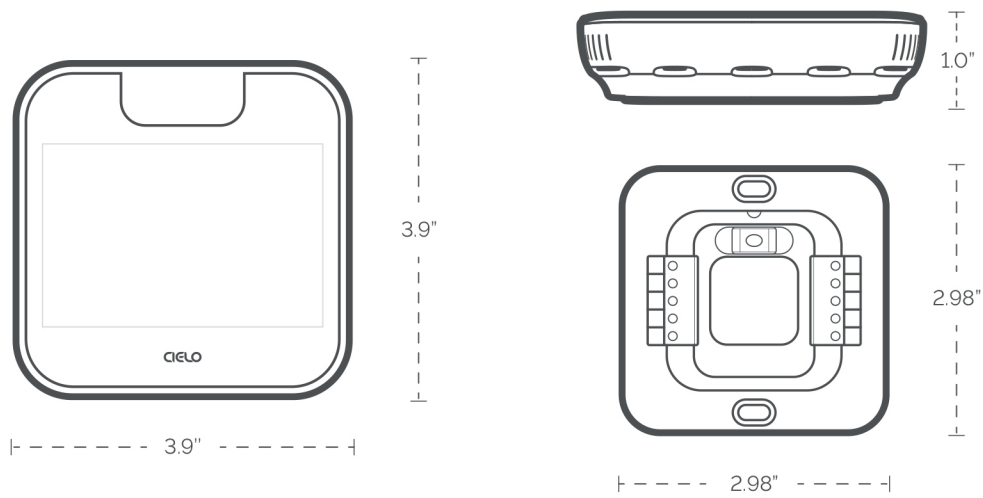
Certifications:

- > FCC
- > IC
- > Prop65
- > RoHS

Smart Home Compatibility



Product Dimensions



What's in the Box?



Cielo Breez Max



Backplate



Installation Manual



Table Stand



Mounting Screws
With Drywall Anchors



100V-240V USB
Adapter with Cable