

PRODUCT INFORMATION PACKET



Model No: H1014LES
Catalog No: H1014LES
1.5 HP General Purpose Motor, 3 phase, 1800 RPM, 230/460 V, 56HC Frame, TEFC
Three Phase TEFC Motors



Regal and Century are trademarks of Regal Beloit Corporation or one of its affiliated companies.
©2019 Regal Beloit Corporation, All Rights Reserved. MC017097E





Nameplate Specifications

Output HP	1.5 Hp	Output KW	1.1 kW
Frequency	60 Hz	Voltage	230/460 V
Current	4.6/2.3 A	Speed	1725 rpm
Service Factor	1.15	Phase	3
Duty	Continuous	Insulation Class	B
Frame	56HC	Enclosure	Totally Enclosed Fan Cooled
Thermal Protection	None	Ambient Temperature	40 °C
UL	Recognized	CSA	Y
CE	Y		

Technical Specifications

Electrical Type	Three Phase	Starting Method	Across The Line
Poles	4	Rotation	Reversible
Mounting	Rigid base	Drive End Bearing	Ball
Opp Drive End Bearing	Ball	Frame Material	Rolled Steel
Shaft Type	NEMA 56	Overall Length	14.65 in
Frame Length	9.15 in	Shaft Diameter	0.625 in
Shaft Extension	1.88 in		

This is an uncontrolled document once printed or downloaded and is subject to change without notice. Date Created:30/10/2019

D

C

B

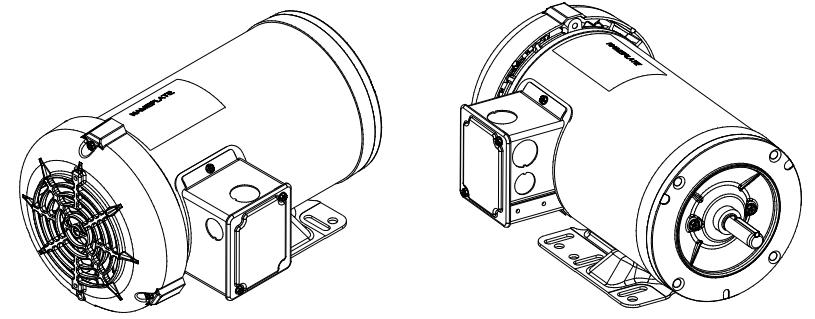
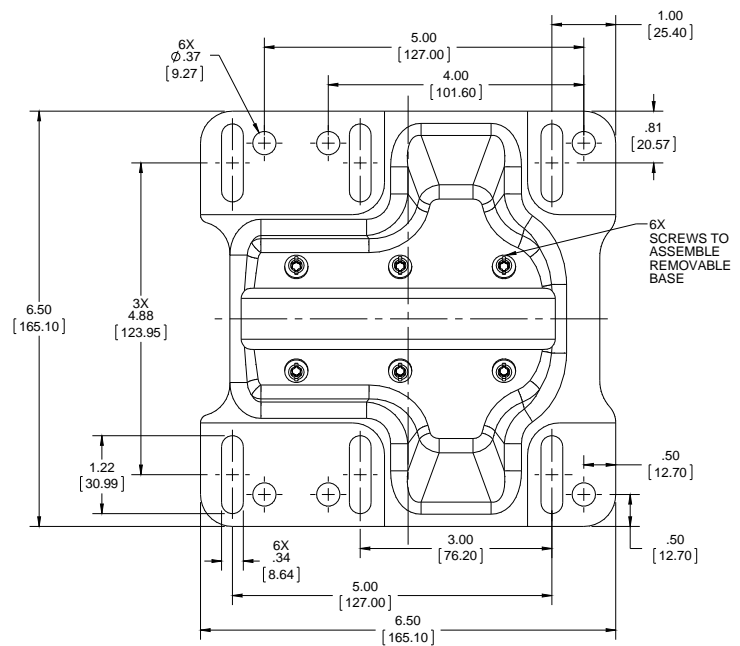
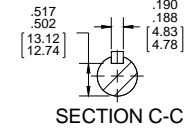
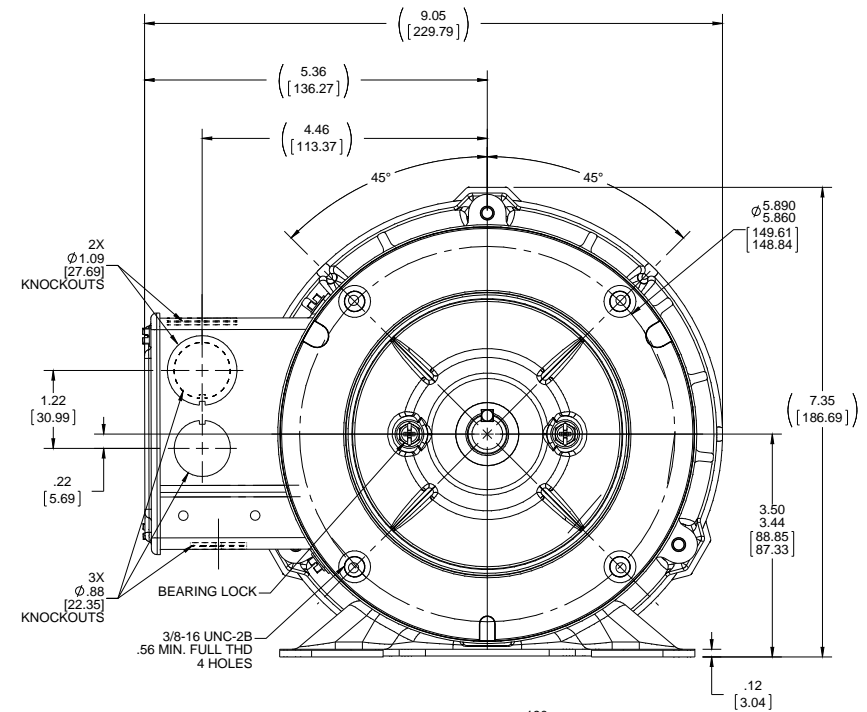
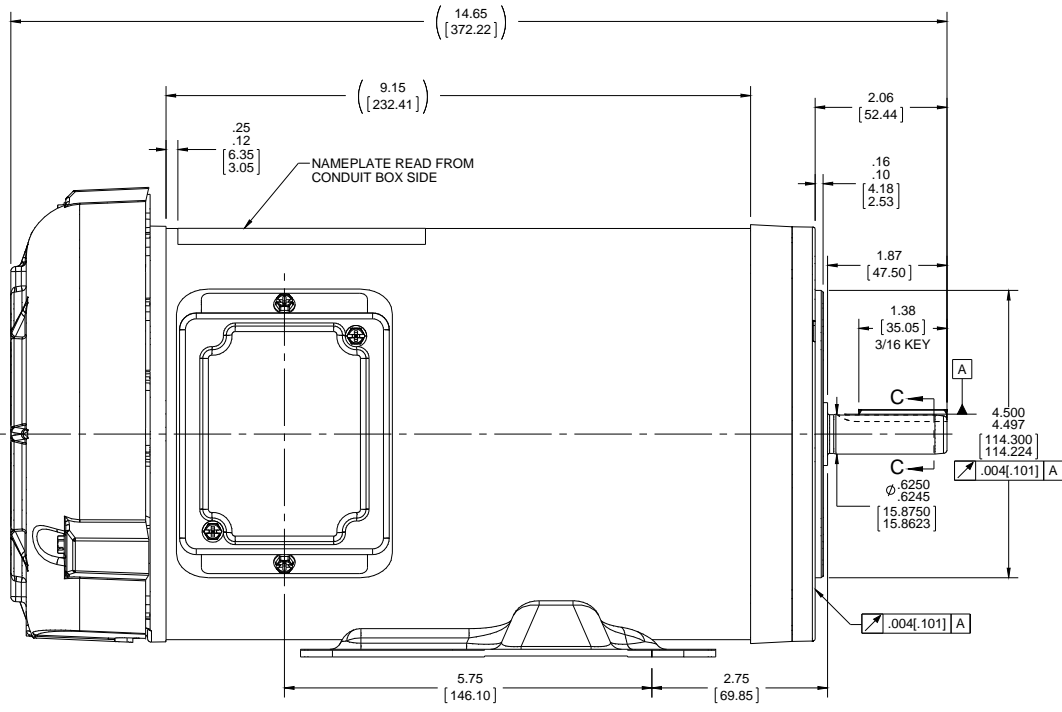
A

D

C

B

A



DRAWING REVISION D	REVISION BY R. ZAMARRON	DATE 07-04-2016	TOLERANCES UNLESS OTHERWISE SPECIFIED: DEC. INCH mm ANGLE .X ±0.1 [±2.5] ±0.5° .XX ±0.02 [±0.51] .XXX ±0.005 [±0.127] .XXXX ±0.0005 [±0.0127] REMOVE BURRS & BREAK SHARP EDGES: .0031 [0.0762] X 45° CORNER FILLETS: R.02 [51] MACHINED SURFACES: .125 / 3.2 INCH / mm V mm SHOWN IN BRACKETS	DRAWN BY D. VALENCIANO	DATE 02-23-2016	APPROVED BY J. ORTEGA	DATE 07-04-2016	DESCRIPTION OUTLINE 56H FR, TEFC, C-FACE, RIGID	MATERIAL	PROCESS/FINISH	
ECO DESCRIPTION ECO-0106135				APPROVED BY J. ORTEGA				DESCRIPTION OUTLINE 56H FR, TEFC, C-FACE, RIGID			
ECO DESCRIPTION UPDATED OUTLINE				REFERENCE				MATERIAL			
COPYRIGHT REGAL BELOIT AMERICA, INC. ALL RIGHTS RESERVED. PROPRIETARY AND CONFIDENTIAL INFORMATION. THIS DOCUMENT IS THE PROPERTY OF REGAL BELOIT AMERICA, INC. (OWNER) AND CONTAINS OWNER'S PROPRIETARY INFORMATION. ANY PERSON, CORPORATION OR OTHER FIRM RECEIVING IT IS DEEMED, BY RECEIVING IT, TO AGREE THAT IT, AND/OR ANY PART OF IT, SHALL NOT BE DISCLOSED TO ANY PERSON, CORPORATION OR OTHER ENTITY, DUPLICATED, AND/OR USED, EXCEPT AS EXPRESSLY APPROVED IN WRITING IN ADVANCE BY OWNER. THIS DOCUMENT SHALL BE RETURNED TO OWNER UPON REQUEST. IT MAY BE SUBJECT TO CERTAIN RESTRICTIONS UNDER APPLICABLE EXPORT CONTROL LAWS AND REGULATIONS.				THIRD ANGLE PROJECTION				DRAWING NUMBER OL56100003-002			
3 OF 3				1				SHEET 1 OF 1			