

PRODUCT INFORMATION PACKET



Model No: C683V1

Catalog No: C683V1

1 HP General Purpose Farm Duty Motor, 1 phase, 1800 RPM, 115/208-230 V, 56 Frame, TEFC
General Purpose Farm Duty Motors



Regal and Century are trademarks of Regal Rexnord Corporation or one of its affiliated companies.
©2021 Regal Rexnord Corporation, All Rights Reserved. MC017097E





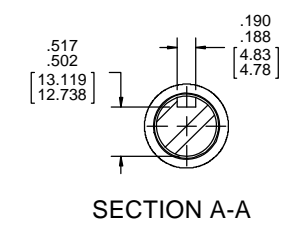
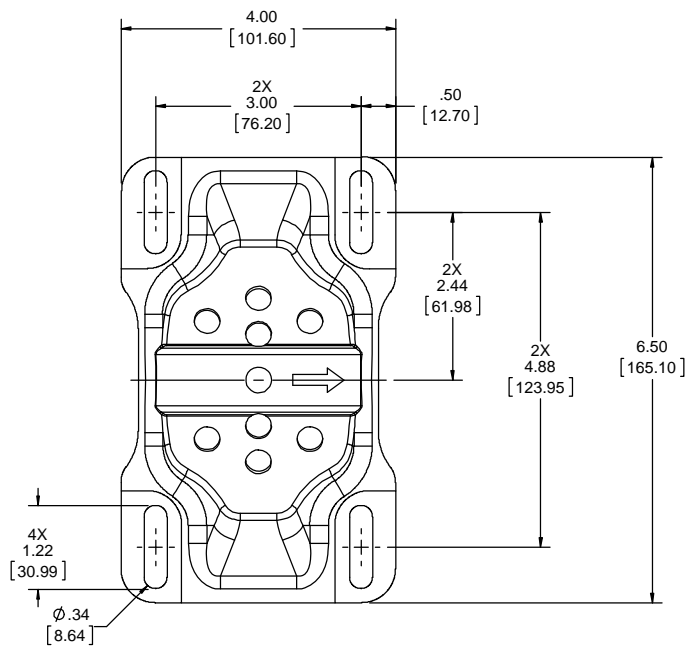
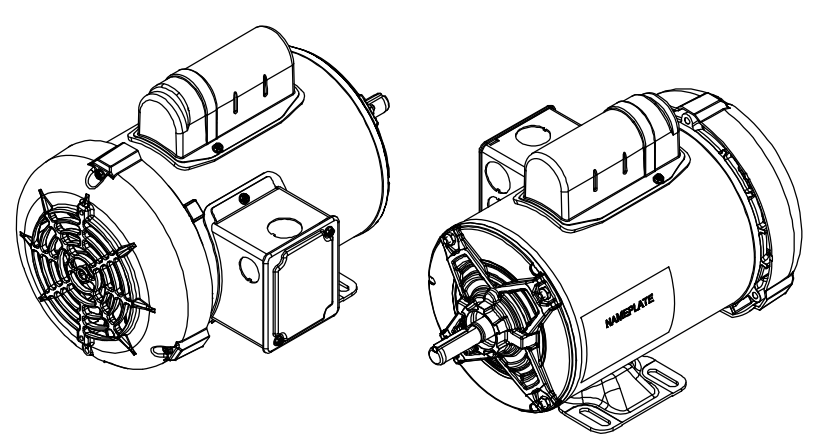
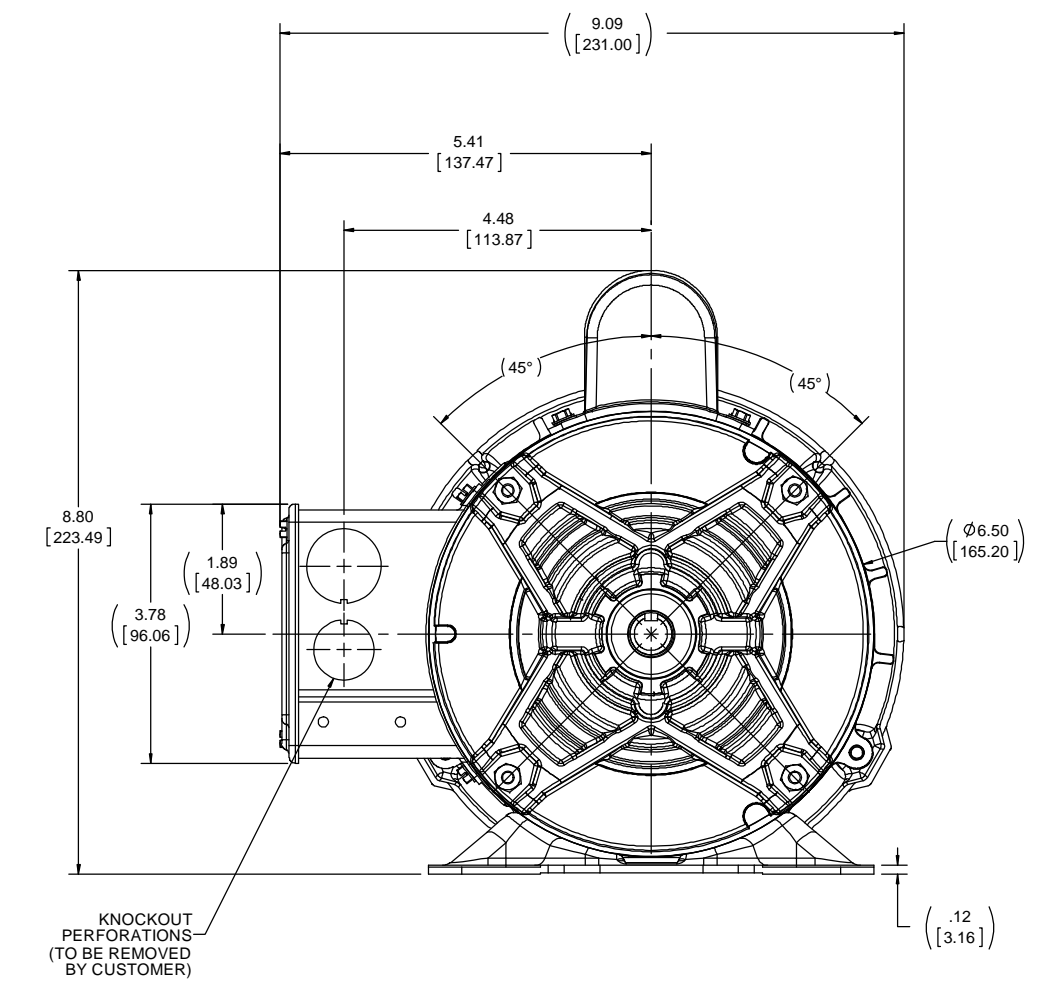
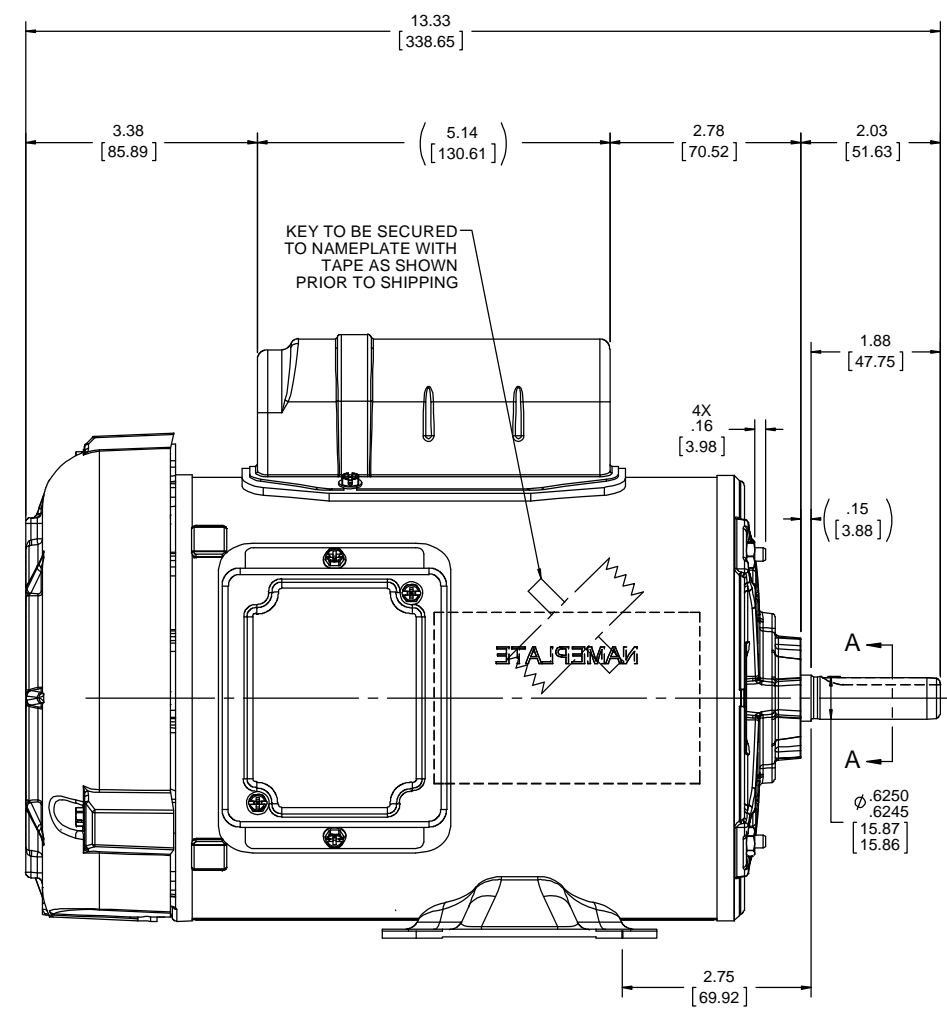
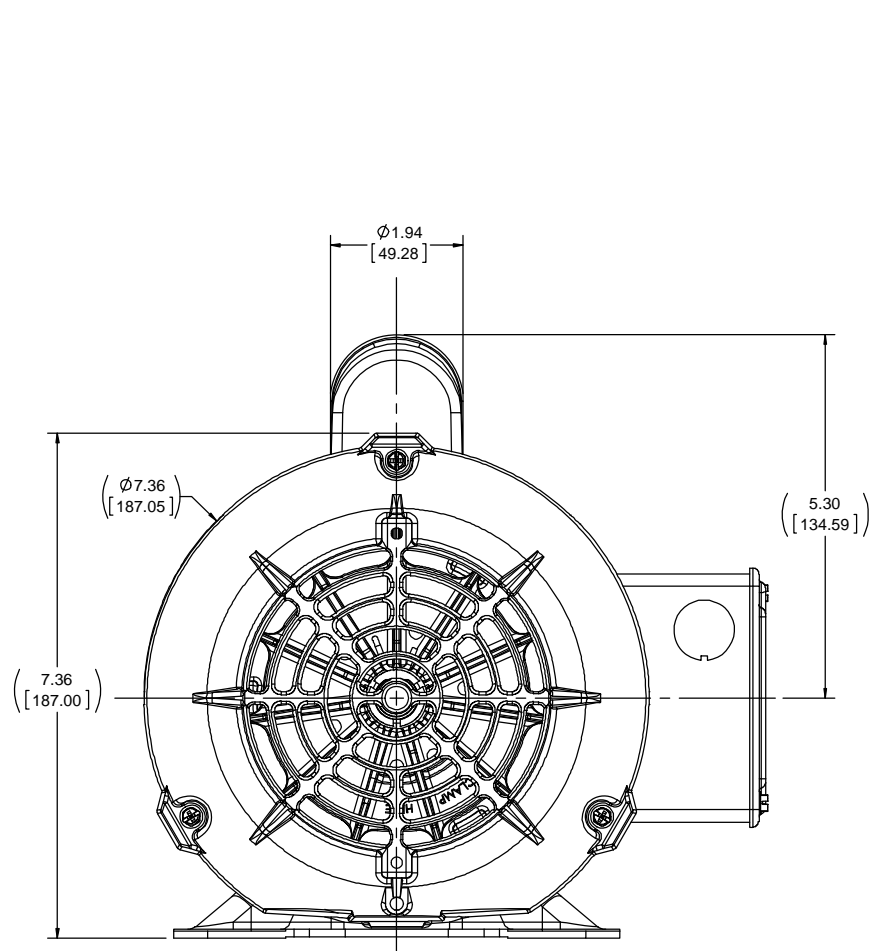
Nameplate Specifications

Output HP	1 Hp	Output KW	0.75 kW
Frequency	60 Hz	Voltage	115/208-230 V
Current	14/6.8-7.0 A	Speed	1725 rpm
Service Factor	1.15	Phase	1
Efficiency	72 %	Duty	Continuous
Insulation Class	B	Frame	56
Enclosure	Totally Enclosed Fan Cooled	Thermal Protection	No
Ambient Temperature	40 °C	UL	Recognized
CSA	Y	CE	Y
Number of Speeds	1		

Technical Specifications

Electrical Type	Capacitor Start Induction Run	Starting Method	Across The Line
Poles	4	Rotation	Selective Counterclockwise
Mounting	Rigid Base	Drive End Bearing	Ball
Opp Drive End Bearing	Ball	Frame Material	Rolled Steel
Shaft Type	NEMA 56	Overall Length	13.33 in
Frame Length	7.65 in	Shaft Diameter	0.625 in
Shaft Extension	2.03 in		
Outline Drawing	OL56100472-001	Connection Drawing	DD10029-002

This is an uncontrolled document once printed or downloaded and is subject to change without notice. Date Created:10/07/2021

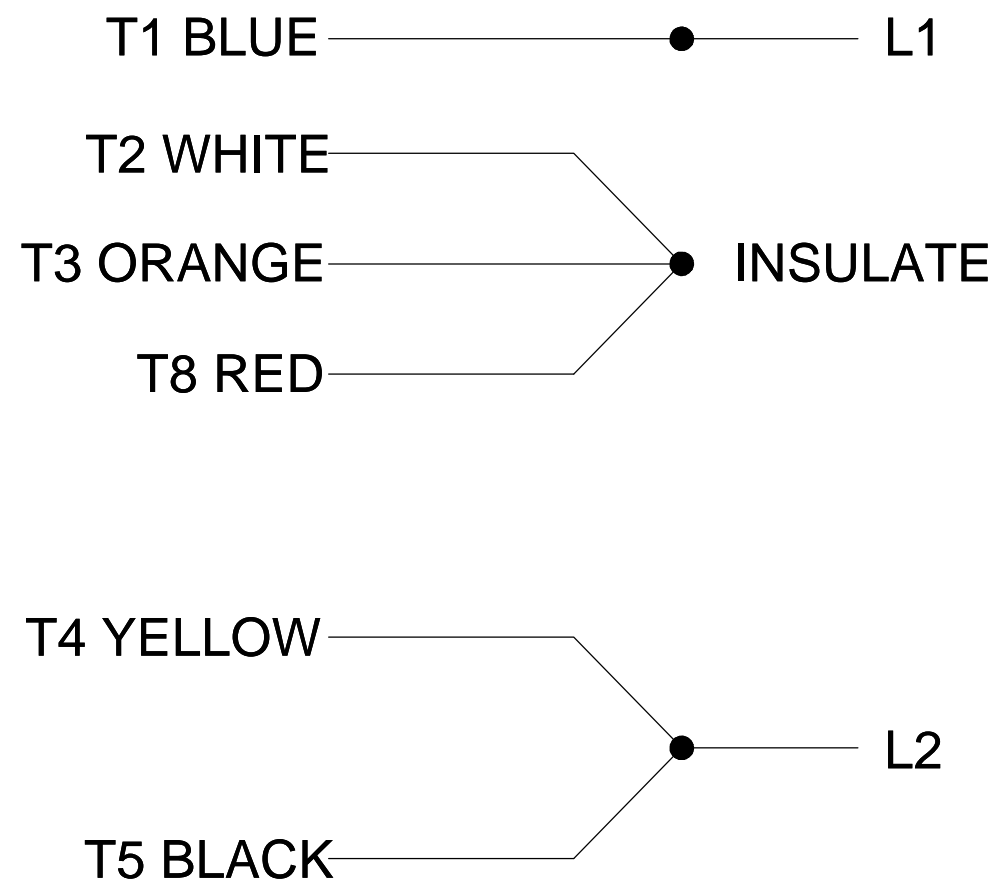


DRAWING REVISION B		REVISION BY DS	DATE 05/28/2018	TOLERANCES UNLESS OTHERWISE SPECIFIED:		DRAWN BY DS	Regal Beloit America, Inc.	
ECO-0145788	APPROVED BY SN	DATE 05/28/2018	DEC.	INCH	mm	ANGLE	DATE 05/24/2018	DESCRIPTION OUTLINE
ECO DESCRIPTION				.XX	±0.1	#2.5	APPROVED BY SN	MATERIAL 56 FR,TEFC,RIGID
UPDATED BASE DIMENSION				.XXX	±0.005	[±0.127]	DATE 05/24/2018	PROCESS/FINISH
<small> PROPRIETARY AND CONFIDENTIAL INFORMATION - THIS DOCUMENT IS THE PROPERTY OF REGAL BELOIT AMERICA, INC. COMPANY AND CONTAINS OWNERS PROPRIETARY INFORMATION. ANY PERSON, CORPORATION OR OTHER FIRM RECEIVING IT IS DEEMED, BY RECEIVING IT, TO AGREE THAT IT, AND/OR ANY PART OF IT, SHALL NOT BE DISCLOSED TO ANY PERSON, CORPORATION OR OTHER ENTITY, DUPLICATED, AND/OR USED, EXCEPT AS EXPRESSLY APPROVED IN WRITING IN ADVANCE BY OWNER. THIS DOCUMENT SHALL BE RETURNED TO OWNER UPON REQUEST. IT MAY BE SUBJECT TO CERTAIN RESTRICTIONS UNDER APPLICABLE EXPORT CONTROL LAWS AND REGULATIONS. </small>				REMOVE BURRS & BREAK SHARP EDGES: .003/.015 [0.076/.381] X 45°	CORNER FILLETS: R.02 [51]	REFERENCE	SIZE D	DRAWING NUMBER OL56100472-001
				MACHINED SURFACES: 200	INCH/	mm	THIRD ANGLE PROJECTION	SHEET 1 OF 1

LOW VOLTAGE



HIGH VOLTAGE



DD10029-002

ROTATION CCW-LE TO REVERSE INTERCHANGE T8 RED AND T5 BLACK LEADS

PLATE: 41365

SLOT: 22

DRAWING REVISION A	REVISION BY MVG	DATE 11/22/2017	TOLERANCES UNLESS OTHERWISE SPECIFIED: DEC. INCH mm ANGLE .X ±0.1 [±2.5] ±0.5° .XX ±0.01 [±0.25] .XXX ±0.005 [±0.127] .XXXX ±0.0005 [±0.0127]	DRAWN BY MVG	REGAL ™ Regal Beloit America, Inc.
ECO ECO-0135261	APPROVED BY CD	DATE 11/22/2017		DATE 11/22/2017	
ECO DESCRIPTION NEW DRAWING			REMOVE BURRS & BREAK SHARP EDGES: .003/.015 [.076/.381] X 45° CORNER FILLETS: R.02 [.51] MACHINED SURFACES: 125/3.2 INCH/mm	APPROVED BY CD	DESCRIPTION CONN DIAGRAM-NAMEPLATE
<small>COPYRIGHT REGAL BELOIT AMERICA, INC. ALL RIGHTS RESERVED. PROPRIETARY AND CONFIDENTIAL INFORMATION - THIS DOCUMENT IS THE PROPERTY OF REGAL BELOIT AMERICA, INC. ("OWNER") AND CONTAINS OWNER'S PROPRIETARY INFORMATION. ANY PERSON, CORPORATION OR OTHER FIRM RECEIVING IT IS DEEMED, BY RECEIVING IT, TO AGREE THAT IT, AND/OR ANY PART OF IT, SHALL NOT BE DISCLOSED TO ANY PERSON, CORPORATION OR OTHER ENTITY, DUPLICATED, AND/OR USED, EXCEPT AS EXPRESSLY APPROVED IN WRITING IN ADVANCE BY OWNER. THIS DOCUMENT SHALL BE RETURNED TO OWNER UPON REQUEST. IT MAY BE SUBJECT TO CERTAIN RESTRICTIONS UNDER APPLICABLE EXPORT CONTROL LAWS AND REGULATIONS.</small>			REFERENCE DD10029-001	MATERIAL	PROCESS/FINISH
			THIRD ANGLE PROJECTION	SIZE B	DRAWING NUMBER DD10029-002