

PRODUCT INFORMATION PACKET



Model No: BL6505A
Catalog No: BL6505A

Fan and Blower Motor, 1/5,1/8,1/10 HP, 1 Ph, 60 Hz, 115 V, 1075 RPM, 3 Speed, 42 Frame, OAO



Regal and Century are trademarks of Regal Rexnord Corporation or one of its affiliated companies.
©2024 Regal Rexnord Corporation, All Rights Reserved. MC017097E





Nameplate Specifications

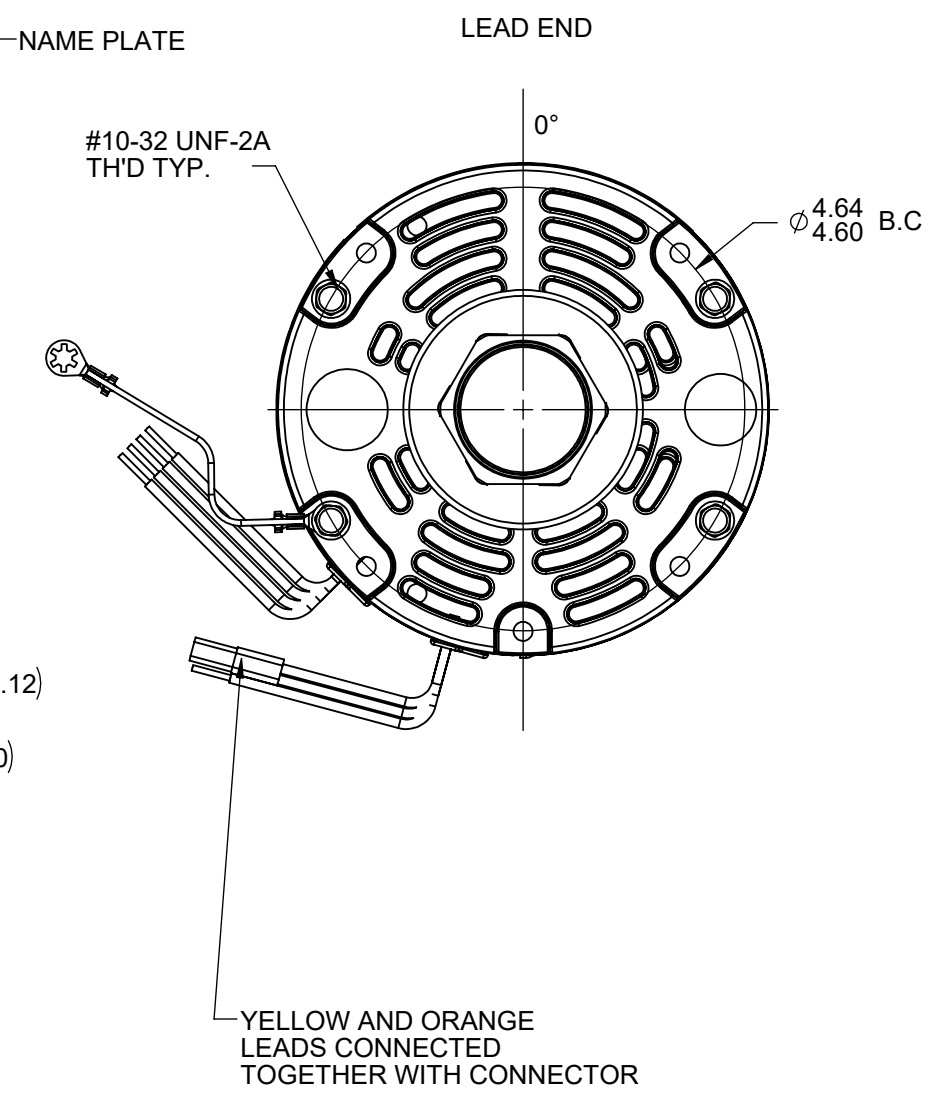
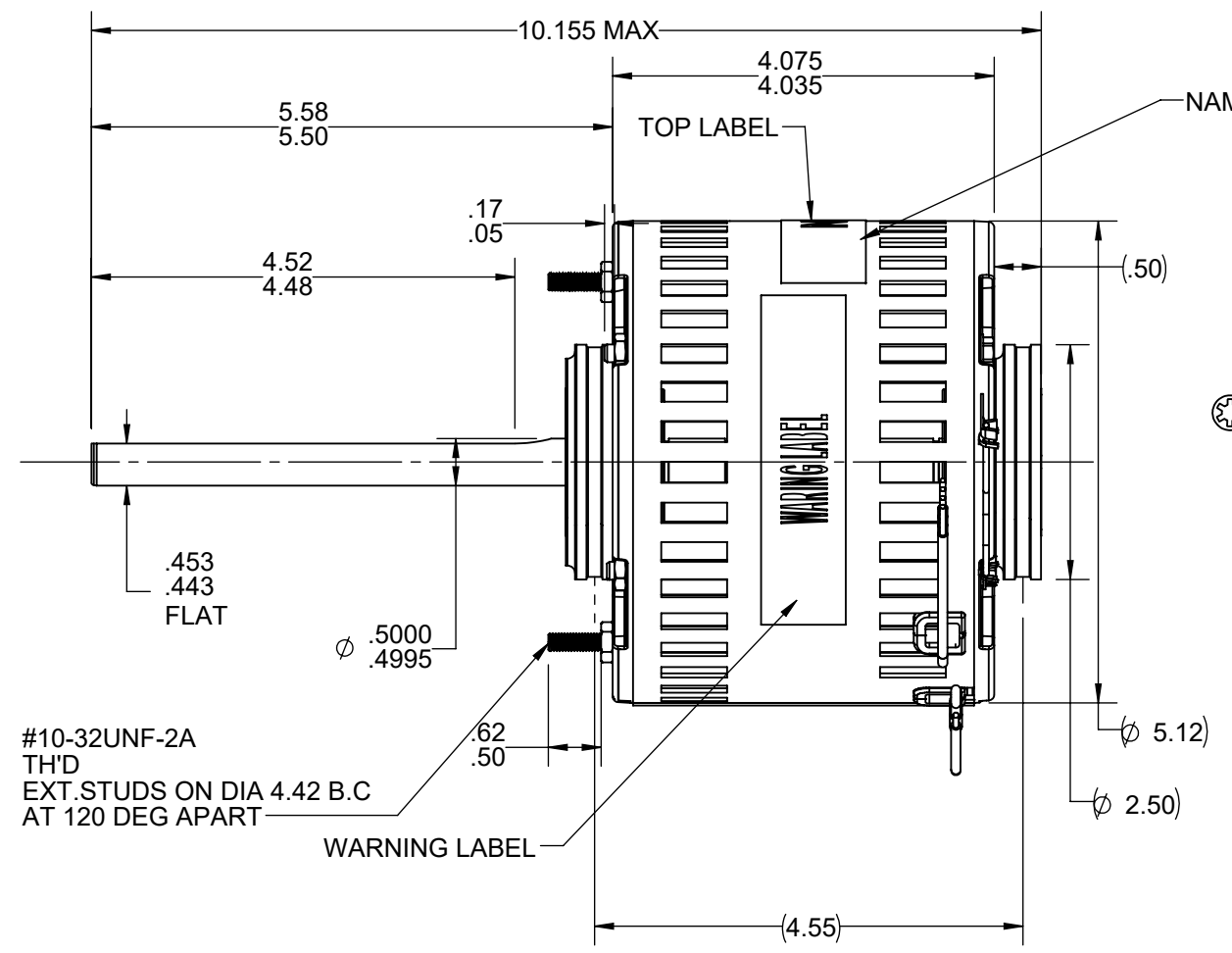
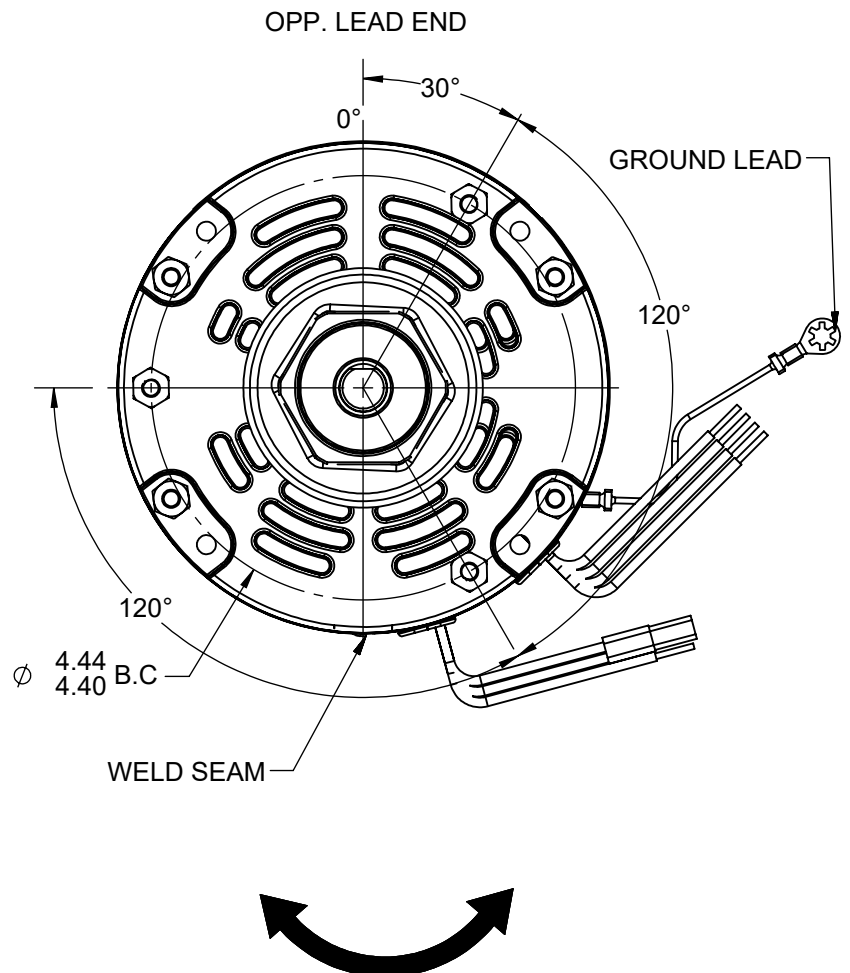
Phase	1	Output HP	1/5,1/8,1/10 Hp
Voltage	115 V	Speed	1075 rpm
Service Factor	1.0	Frame	42
Enclosure	Open Air Over	Thermal Protection	Automatic
Ambient Temperature	40 °C	Frequency	60 Hz
Current	3.3,2.2,1.7 A	Duty	Air Over
Insulation Class	B	UL	Recognized
CSA	Y	CE	N
Number of Speeds	3		

Technical Specifications

Electrical Type	Permanent Split Capacitor	Starting Method	Across The Line
Poles	6	Rotation	Reversible
Mounting	Resilient Rings	Drive End Bearing	Ball
Opp Drive End Bearing	Ball	Frame Material	Rolled Steel
Shaft Type	Flat	Frame Length	4.08 in
Shaft Diameter	0.500 in	Shaft Extension	5.5 in
Outline Drawing	71870464R		

This is an uncontrolled document once printed or downloaded and is subject to change without notice. Date Created:07/03/2024

4				3			2			1	
S.NO	CONNECTION	COLOR	EXIT TYPE	EXIT LOC (VIEWING LE)	GAGE	MATERIAL	WALL THK.	LENGTH (± 1.50)	TERMINATION	VENTILATION SYSTEM	
1	COMMON LEAD	WHITE	LEAD BUSH	7:30	18	XLPE	2/64	36.00	.50 BWS	SHELL VENTS	OPEN
2	CAPACITOR LEAD	BROWN	LEAD BUSH	6:30	18	XLPE	2/64	36.00	.50 BWS		
3	HIGH SPEED LEAD	BLACK	LEAD BUSH	7:30	18	XLPE	2/64	36.00	.50 BWS	ENDSHIELD (OPP.LEAD END)	OPEN
4	MEDIUM SPEED LEAD	BLUE	LEAD BUSH	7:30	18	XLPE	2/64	36.00	.50 BWS		
5	LOW SPEED LEAD	RED	LEAD BUSH	7:30	18	XLPE	2/64	36.00	.50 BWS	ENDSHIELD (LEAD END)	OPEN
6	REVERSIBLE LEAD	YELLOW	LEAD BUSH	6:30	18	XLPE	2/64	36.00	.50 BWS		
7	REVERSIBLE LEAD	ORANGE	LEAD BUSH	6:30	18	XLPE	2/64	36.00	.50 BWS		
8	GROUND LEAD	GRN/YEL	CLAMP SCREW	8:00	18	THERMOPLASTIC	2/64	10.00	# 10 EYELET		



- NOTE:
- NAMEPLATE LABEL LOCATION: 360 ° - CENTER - READ FROM LE WITH RESPECT TO MOTOR ZERO.
 - OVERLOAD PROTECTOR: AUTOMATIC RESET (7AM 033)

NAME PLATE DATA	
MODEL	71870464
CUST P/N	BL6505A
HP	1/5-1/8-1/10
RPM	1075(3 SPD)
VOLTS	115
HZ	60
SPEEDS	3
AMPS	3.30 2.20 1.70
CAP REQ D-1	7.5.0/370
CAP REQ D-2	N/R
CONN. DRW	NP24X350513
ROTATION	REVERSIBLE

DRAWING REVISION AC	REVISION BY KN	REV DATE/© DATE 05/08/2024
REQUEST NUMBER ECR-0233788	APPROVED BY Muralidar	DATE 05/08/2024
REQUEST NUMBER DESCRIPTION REMOVED SUFFIX R FROM NP DATA AS PER ECR		
<small>COPYRIGHT (PER REVISION DATE) REGAL BELOIT AMERICA, INC. ALL RIGHTS RESERVED. PROPRIETARY AND CONFIDENTIAL INFORMATION - THIS DOCUMENT IS THE PROPERTY OF REGAL BELOIT AMERICA, INC. ("OWNER") AND CONTAINS OWNER'S PROPRIETARY INFORMATION. ANY PERSON, CORPORATION OR OTHER FIRM RECEIVING IT IS DEEMED, BY RECEIVING IT, TO AGREE THAT IT, AND/OR ANY PART OF IT, SHALL NOT BE DISCLOSED TO ANY PERSON, CORPORATION OR OTHER ENTITY, DUPLICATED, AND/OR USED, EXCEPT AS EXPRESSLY APPROVED IN WRITING IN ADVANCE BY OWNER. THIS DOCUMENT SHALL BE RETURNED TO OWNER UPON REQUEST. IT MAY BE SUBJECT TO CERTAIN RESTRICTIONS UNDER APPLICABLE EXPORT CONTROL LAWS AND REGULATIONS.</small>		

DRAWN BY BS	Regal Beloit America, Inc.
DATE 4/14/2023	
APPROVED BY RS	DESCRIPTION OUTLINE
DATE 4/14/2023	CUSTOMER NAME: DISTRIBUTION SERVICE
REFERENCE	MATERIAL
THIRD ANGLE PROJECTION	PROCESS/FINISH
SIZE B	DRAWING NUMBER 71870464R
	SHEET 1 OF 1