

MultiFit®



Formerly A. O. Smith Electrical Products Company

**YOU WILL BELIEVE
ONE MOTOR CAN FIT**



NOW...

1075 & 1625 RPM

A Regal Brand

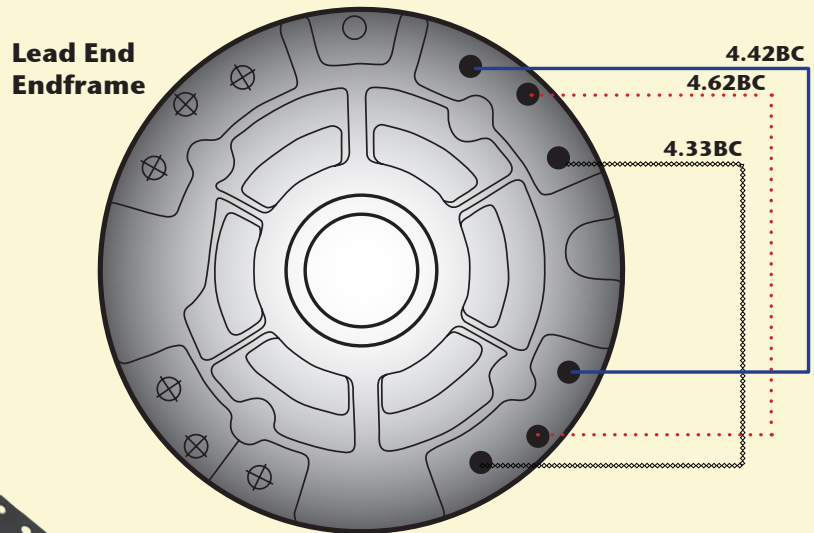


MultiFit®: Multi-Mounting System™

1. Three MultiFit 3-in-1™ multi-horsepower motor models, 1625 RPM and 1075 RPM, replace hundreds of 1/4, 1/5, 1/6, 1/8, 1/10 or 1/12 horsepower 42 frame (5" dia.) condenser fan applications – with one simple connection
2. MultiFit motors replace motors with a 4.33, 4.42 and 4.62 inch mounting bolt circle (BC)

For quick and easy installation, each MultiFit motor is supplied with:

- Durable collar studs with 5/8" extension, 8-32 threads
- Extra mounting nuts with locking feature
- Easy-to-install plugs
- Mounting instructions with easy-to-read diagrams



Stock No. 2118

MultiFit® Adapter Plate

Adapts to a 48-Frame 5.15BC
Or 42-Frame 3-Point 4.42BC
(Available Separately)



MultiFit Multi-Mounting System Replaces:

4.42BC

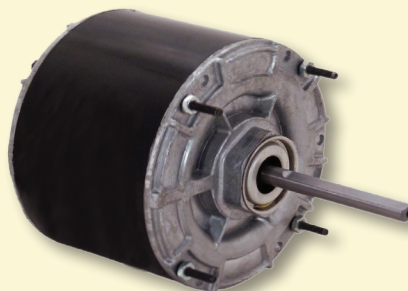
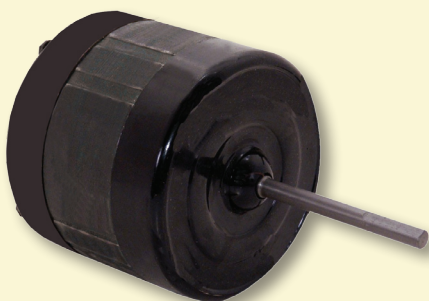
Century/Westinghouse Design
Emerson 42-Frame (5" dia.)

4.62BC

GE 42-Frame (5" dia.)
Fasco 42-Frame (5" dia.)
Century/Universal Electric Design

4.33BC

Emerson Clam-Shell
GE Cap-Can



MultiFit: Specifications

Features

- Multi-Mounting System
- Single speed multi-horsepower replacement motor uses one simple connection
- Energy-efficient PSC design
- Easy-to-read connection diagram attached to white lead wire
- Water-resistant reversing plug
- Double sealed ball bearings for dependable long life
- Rubber shaft slinger keeps water and dirt out of motor
- Water-resistant rubber grommet at lead opening
- 60°C max ambient
- Class B insulation
- Lead length 36"
- 60 Hertz
- Totally enclosed
- Continuous duty, air over
- All-angle mount
- UL and CSA recognized

One Simple Connection Eliminates Having to Select Various Speeds or Change Capacitor Sizes!



1625 RPM Model



Replaces Hundreds of 1/4-1/12 HP Applications

3-in-1 Design

Approximate Speeds and Amps in Application

Stock Number 9722			Stock Number 9723			Stock Number 9724 NEW!		
HP	Approximate RPM	Approximate Amps	HP	Approximate RPM	Approximate Amps	HP	Approximate RPM	Approximate Amps
1/8	1075	0.9	1/4	1075	2.0	1/4	1625	1.6
1/10	1135	0.6	1/5	1145	1.2	1/5	1715	1.0
1/12	1155	0.5	1/6	1165	1.0	1/6	1759	0.7

Stock Number	Replaces HP	Volts	Amps	RPM	Speeds	Frame Size	Rotation	Capacitor	Shell Length	Shaft	Weight
9722*	1/8, 1/10, 1/12	208-230	0.9	1075	1	42	Reversible	5MFD/370V	4.0"	1/2" x 3"	9.8
9723*	1/4, 1/5, 1/6	208-230	2.0	1075	1	42	Reversible	7.5MFD/370V	4.5"	1/2" x 3"	12.0
9724*	1/4, 1/5, 1/6	208-230	1.6	1625	1	42	Reversible	5MFD/370V	4.5"	1/2" x 3"	12.0

*Ball Bearing

