



## PRESSURE REGULATING VALVES



### EB25

#### COMMERCIAL, RESIDENTIAL

The EB25 brings state-of-the-art water control technology to pressure regulators. The biggest breakthrough is the simple numerical indicator that allows the exact desired pressure to be set even before the valve is installed, making pressure adjustment a quick, one-man job. The EB25 Stainless Steel also features a stainless steel, 100% lead free body.

With the most advanced design in the industry, the EB25 delivers rock steady flow even with extreme variations in supply pressure. Thanks to a patented single-cartridge design, the EB25 has fewer parts for increased reliability, and it can be serviced without having to remove the valve body. The innovative design also eliminates the water whistle or harmonic hum associated with most pressure regulating valves, thanks to innovative "micro-fingers" that dissipate noise as water flows across the seat.

The EB25 comes factory set at 45 psi but can be manually adjusted between 20–90 psi.

#### FEATURES AND BENEFITS:

- Convenient orange twist-cap eliminates need for wrench adjustment, numerical indicator shows the pressure without the need for a gauge
- Single piece cartridges can be removed with valve body remaining in place
- Integral back-pass check with the cartridge\*
- Cutting edge design and production incorporates "micro-fingers" that dissipate noise due to water flow across the seat
- Available with a blanking cap for "rough-in" installations
- Optional closing cap for direct burial applications
- Serviceable in line
- Every valve is tested for performance prior to shipping

#### PERFORMANCE:

Maximum pressure: 300 psi  
 Maximum temperature: 180°F (82.2°C)  
 Service: Water  
 Outlet pressure range: 20–90 psi

#### APPLICATIONS:

Commercial and domestic water applications.

#### AVAILABLE CONNECTIONS:

Threaded (NPT) Inlet and Outlet <sup>1</sup>	3/4" and 1"
Threaded (NPT) Union, Threaded (NPT)	1/2", 3/4", 1", 1-1/4", 1-1/2" and 2"
Sweat Copper Union, Threaded (NPT)	1/2", 3/4", 1", 1-1/4", 1-1/2" and 2"
Threaded (NPT) Union Inlet and Outlet <sup>1</sup>	3/4", 1", 1-1/4", 1-1/2" and 2"
Sweat Copper Union Inlet and Outlet <sup>2</sup>	3/4", 1", 1-1/4", 1-1/2" and 2"
PEX Barb Union Inlet and Outlet <sup>2</sup>	3/4" and 1"

<sup>1</sup>The 3/4" and 1" models are stainless steel.

<sup>2</sup>The 3/4" and 1" models use a stainless steel body and lead free brass tailpieces.

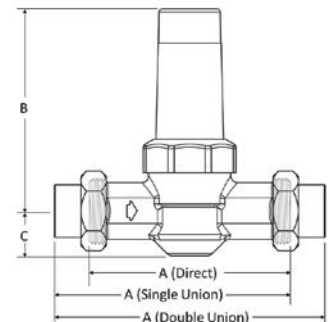
#### APPROVALS AND LISTINGS:

ASSE 1003, CSA B356, NSF/ANSI 372 (Lead Free), NSF/ANSI 61. Listed by IAPMO, CSA and ASSE.



#### DIMENSIONS (inches)

Size	Connection Style	A			B	C
		Direct	Single Union	Double Union		
1/2	NPT	-	5-3/4	-	4-15/16	1-1/16
	Sweat	-	5-5/8	-		
3/4	NPT	-	5-1/2	6-11/16		
	Sweat	-	5-11/16	6-11/16		
	Barb	-	-	7-1/16		
1	NPT	-	5-3/4	7-1/16		
	Sweat	-	5-7/8	7-1/16		
	Barb	-	-	7-5/8		
1-1/4	NPT	-	5-11/16	6-9/16	7-1/2	1-3/8
	Sweat	-	5-7/8	6-15/16		
1-1/2	NPT	-	5-15/16	7		
	Sweat	-	6	7-3/16		
2	NPT	-	6	7-3/16		
	Sweat	-	6-1/4	7-11/16		



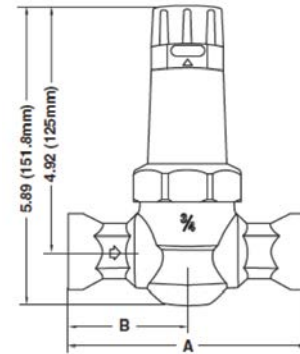
\*The back-pass check feature allows for a reverse flow of water through the regulator in the event that outlet pressure increases to exceed supply pressure. Thermal expansion, created by a water heater for instance, can cause water pressure to increase. Without the back-pass check, water cannot flow in reverse.

## PRESSURE REGULATING VALVES



### EB25 STAINLESS STEEL

DIMENSIONS (inches)			
Size	Connection Style	A	B
3/4	NPT (Both ends)	4-7/8	2-7/16
3/4	Double Union NPT	6-11/16	3-3/8
1	NPT (Both ends)	4-7/8	2-7/16
1	Double Union NPT	6-13/16	3-7/16



PRODUCT DESCRIPTION	PART NUMBER
<b>EB25 LEAD FREE THREADED NPT</b>	
3/4" EB25 Threaded NPT Stainless Steel Valve	22263-0045
1" EB25 Threaded NPT Stainless Steel Valve	22266-0045
<b>EB25-U LEAD FREE SINGLE UNION THREADED</b>	
1/2" EB25-U Single Union Threaded	23135-0045
3/4" EB25-U Single Union Threaded	23136-0045
1" EB25-U Single Union Threaded	23138-0045
1-1/4" EB25-U Single Union Threaded	23141-0045
1-1/2" EB25-U Single Union Threaded	23144-0045
2" EB25-U Single Union Threaded	23145-0045
<b>EB25-C LEAD FREE SINGLE UNION SWEAT</b>	
1/2" EB25-C Single Union Sweat	23952-0045
3/4" EB25-C Single Union Sweat	23953-0045
1" EB25-C Single Union Sweat	23954-0045
1-1/4" EB25-C Single Union Sweat	23964-0045
1-1/2" EB25-C Single Union Sweat	23965-0045
2" EB25-C Single Union Sweat	23966-0045
<b>EB25-DU LEAD FREE DOUBLE UNION THREADED</b>	
3/4" EB25-DU Double Union Threaded Stainless Steel Valve	22264-0045
1" EB25-DU Double Union Threaded Stainless Steel Valve	22267-0045
1-1/4" EB25-DU Double Union Threaded	23142-0045
1-1/2" EB25-DU Double Union Threaded	23967-0045
2" EB25-DU Double Union Threaded	23968-0045
<b>EB25-CC LEAD FREE DOUBLE UNION SWEAT</b>	
3/4" EB25-CC Double Union Sweat	23137-0045
1" EB25-CC Double Union Sweat	23139-0045
1-1/4" EB25-CC Double Union Sweat	23143-0045
1-1/2" EB25-CC Double Union Sweat	23969-0045
2" EB25-CC Double Union Sweat	23970-0045



 BIM component on website



## PRESSURE REGULATING VALVES

### EB25 CONT.



PRODUCT DESCRIPTION	PART NUMBER
<b>EB25-DUPE LEAD FREE DOUBLE UNION PEX ENDS</b>	
3/4" EB25-DUPE Double Union PEX Ends	23957-0045
1" EB25-DUPE Double Union PEX Ends	23140-0045
<b>EB25 LEAD FREE STAINLESS STEEL THREADED NPT</b>	
3/4" EB25 Threaded NPT	22263-0045
1" EB25 Threaded NPT	22266-0045
<b>EB25-DU LEAD FREE STAINLESS STEEL DOUBLE UNION THREADED</b>	
3/4" EB25-DU Double Union Threaded	22264-0045
1" EB25-DU Double Union Threaded	22267-0045
<b>EB25 LEAD FREE CARTRIDGE KIT</b>	
1/2"-1" EB25 Cartridge Kit	23148
1-1/4"-2" EB25 Cartridge Kit	23149
<b>EB25 LEAD FREE INLET BLANKING CAP KIT</b>	
1/2"-1" EB25 Inlet Blanking Cap Kit	22219
1-1/4"-2" EB25 Inlet Blanking Cap Kit	22248
<b>EB25 LEAD FREE DIRECT BURIAL COVER KIT</b>	
1/2"-1" EB25 Direct Burial Cover Kit	22224

 BIM component on website