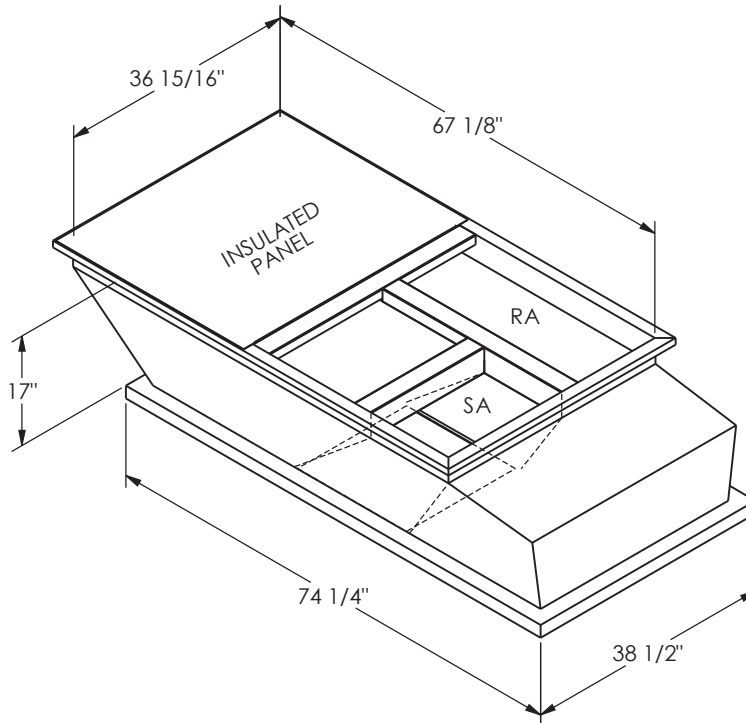


Cambridgeport

**Part # 2000006
(1025CP)**

SUBMITTAL

SUBMITTED TO _____
 COMPANY _____
 JOB NAME _____
 EQUIPMENT _____
 SIGNATURE _____
 DATE _____



FEATURES

- ONE-PIECE WELDED CONSTRUCTION
- ALL WELDS SPRAYED WITH GALVANIZING COMPOUND
- FACTORY INSTALL SUPPLY TRANSITION
- FULLY INSULATED WITH 1" - 1 1/2 LB DENSITY INSULATION
- FABRICATED OF HEAVY GAUGE GALVANIZED STEEL
- SLOPE DESIGN FOR EVEN WEIGHT DISTRIBUTION TO EXISTING CURB
- GASKET PROVIDED FOR UNIT TO ADAPTER SEALING

Existing Unit(s)

LUXAIRE:
 D*HB*, D*UC* 036-072
 B*CB*, B*DF*, D*HC*, D*US*, D*UT* 036-060

YORK:
 DCG,DCE,DM,DF 036-072
 BHN, DEE,DHE,DEG,BQ 036-060
 ZJ, ZP, XJ, XP 036-048

New Unit(s)

Carrier:
 48/50 GJ, HJ, TJ, TF, TM 004-007;
 48/50 TC 04-07 ; 50 TCQ 04, 05, 06, 07
 48/50 HC 04, 05, 06; 50 HCQ, 04, 05, 06
 48 HE 003-006

Bryant:
 548J, 558J, 580J 04-07
 549J, 551J, 581J 04, 05, 06
 548C,D,F ; 551A, B; 558C, D, F 036-072
 580C, D, F; 581A, B; 549B 036-072