

# EZ-Temp Temperature Control

GAS

OIL



## *The Industry Leading Temperature Control*

- Dynamic Display shows temperature setting and error codes.
- Navigation buttons allow for easy transition of EZ-Temp modes and settings.
- LEDs to indicate Lockout/Latchup and Call for Heat.
- Individual, dual and triple sensor options
- Smart Manual Reset allows for manual reset only if operating limit doesn't open

---

**Carlin**<sup>®</sup>  
Combustion Technology, Inc.

# Carlin EZ-Temp Microprocessor Temperature Control

The EZ-Temp temperature control brings together a proven, durable, easy to install design and intuitive, user friendly interface to create the premier temperature control on the market.



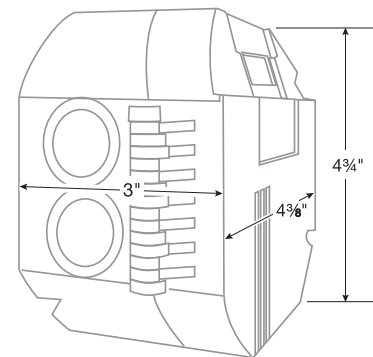
DISPLAY MODELS	90000B	90000C	90000CE	90200A	90200G	90300B	90320B
Control Power Input	120VAC, 11VA	120VAC, 11VA	120VAC, 11VA	120VAC, 11VA	120VAC, 11VA	120VAC, 11VA	240VAC, 50/60 hz, 12VA
Contacts	2 in series	2 in series	2 in series	1 in series	1 in series	2 in series	2 in series
Contacts (action on temperature rise)	—	—	—	(breaks)	(breaks)	—	—
Contact Rating (Full Load)	120VAC, 10 AMPS	120VAC, 10 AMPS	120VAC, 10 AMPS	120VAC, 10 AMPS	120VAC, 10 AMPS	120VAC, 10 AMPS	240VAC, 50/60 hz, 1 HP
Contact Rating (Locked Rotor)	120VAC, 60 AMPS	120VAC, 60 AMPS	120VAC, 60 AMPS	120VAC, 60 AMPS	120VAC, 60 AMPS	120VAC, 60 AMPS	120/240 VAC, 50/60 hz, 15 AMPS
Wires: Quantity	3	3	3	1	1	3	3
120VAC Hot / Neutral	red-white / white	red-white / white	red-white / white	red-white / white	red-white / white	red-white / white	red-white / white
Limits OUT	black	black	black	—	—	black	black
Break-on-rise OUT	—	—	—	black	black-green / black	—	—
Adjustable Operating Limit Range	50°F to 240°F	50°F to 240°F	50°F to 240°F	50°F to 240°F	50°F to 240°F	50°F to 240°F	50°F to 240°F
Fixed High Limit Temperature*	100°F to 240°F	100°F to 240°F	100°F to 250°F	—	—	160°F to 240°F	160°F to 240°F
Fixed Differential (subtractive)*	5°F to 100°F	5°F to 100°F	5°F to 100°F	5°F to 100°F	5°F to 100°F	5°F to 100°F	5°F to 100°F
Operating Temperature Limits	32°F to 140°F	32°F to 140°F	32°F to 140°F	32°F to 140°F	32°F to 140°F	32°F to 140°F	32°F to 140°F
Storage Temperature Limits	-40°F to +185°F	-40°F to +185°F	-40°F to +185°F	-40°F to +185°F	-40°F to +185°F	-40°F to +185°F	-40°F to +185°F
Agencies	UL Recognized (United States & Canada)						

\*Any value within given range

DIAL MODEL	90224A
Control Power Input	24VAC, 1VA
Contacts	1
Contacts (action on temperature rise)	(breaks)
Contact Rating (Full Load)	24VAC, 1AMP
Wires: Quantity	2
Contact IN / OUT	black-red / black-yellow
Adjustable Operating Limit Range	50°F to 240°F
Fixed Differential (subtractive)	5°F to 100°F
Operating Temperature Limits	32°F to 140°F
Storage Temperature Limits	-40°F to +185°F
Agencies	UL Recognized (United States & Canada)



Dimensions for Display Models and Dial Model



For more information on this product and other Carlin products, go to [www.carlincombustion.com](http://www.carlincombustion.com)

**Carlin**<sup>®</sup>  
Combustion Technology, Inc.

126 Bailey Road, North Haven, CT 06473  
Tel: 203-680-9401 Fax 203-680-9403  
[www.carlincombustion.com](http://www.carlincombustion.com)