

FlowCal™ compact dynamic automatic flow balancing valve



127 series

Submittal Data 02933 NA — Issue Date 09/2018

Application

The FlowCal™ pressure independent balancing valve maintains a fixed flow rate within varying system differential pressure ranges. The design incorporates an exclusive flow cartridge, made of an anti-scale, low noise polymer and a compact DZR low-lead brass valve body for use in hydronic and domestic water systems. The FlowCal™ eliminates the need for onsite measurements and trial and error flow rate setting as required with manual calibration valves. It is ideal for applications including open fan coil systems and hot water recirculation balancing.

Typical Specification

Furnish and install on the plans and described herein, a Caleffi FlowCal™ compact automatic flow balancing valve as manufactured by Caleffi. Each balancing valve must be designed with an inline body style with 1/2", 3/4", or 1" union sweat, NPT male threaded, press or PEX crimp end connections. The design must include a DZR low-lead brass body and connections (<0.25% Lead content) certified by ICC-ES, high abrasion resistant, anti-scale, low noise, interchangeable polymer flow cartridge, stainless steel spring, and peroxide-cured EPDM seals. Each valve must be designed for fixed flow rates ranging from 0.35 to 10 gpm with ±10% accuracy, 232 psi (16 bar) maximum working pressure and working temperature range of 32 to 212°F (0 to 100°C). Each balancing valve shall be a Caleffi model 127 or approved equal.

Technical Data

Materials Valve

Body: DZR low-lead brass
 Flow cartridge: anti-scale polymer
 Spring: stainless steel
 Seals: peroxide-cured EPDM



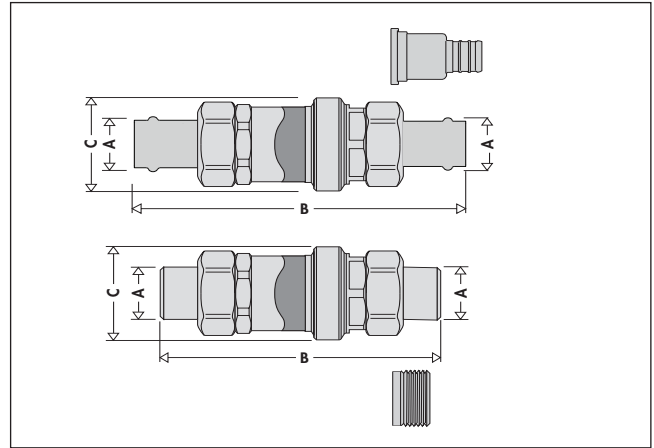
NSF/ANSI 372-2011, Drinking Water System Components-Lead Content Reduction of Lead in Drinking Water Act, California Health and Safety Code 116875 S.3874, Reduction in Drinking Water Act, certified by ICC-ES, file PMG-1360.

Performance

Suitable Fluids: water, glycol solutions
 Max. percentage of glycol: 50%
 Max. working pressure: 232 psi (16 bar)
 Working temperature range: 32 - 212°F (0-100°C)
 Flow rate: 21 fixed flow settings ranging from 0.35 - 10 gpm
 Flow accuracy: ±10%
 Differential pressure control ranges: 2-14, 2-32, 4-34, 5-35 psid
 Control stem adjustment wrench: 9 mm
 Connections: 1/2", 3/4", 1" union sweat, NPT male, press or PEX crimp

Lay length (press connection): size 1/2 and 3/4 inch: 3 5/8" size 1 inch: 4 1/16"

Dimensions



Code*	A	B	C	Weight (lb)
127341AF...	1/2" npt male	5 13/16"	1 9/16"	1.0
127349AF...	1/2" sweat	4 1/4"	1 9/16"	0.8
127346AF...	1/2" press	5 1/8"	1 9/16"	1.0
127347AF..	1/2" PEX crimp	6 1/4"	1 9/16"	1.0
127351AF...	3/4" npt male	5"	1 9/16"	1.0
127359AF...	3/4" sweat	4 13/16"	1 9/16"	0.8
127356AF...	3/4" press	5 5/8"	1 9/16"	1.0
127357AF..	3/4" PEX crimp	6 5/16"	1 9/16"	1.0
127361AF...	1" npt male	5 5/8"	1 9/16"	1.2
127369AF...	1" sweat	6"	1 9/16"	1.0
127366AF...	1" press	5 13/16"	1 9/16"	1.3
127366AF...	1" PEX crimp	6 3/8"	1 9/16"	1.3

Flow rate (GPM)	Last 3 digits *(AF__)	ΔP control ranges (psid)	Flow rate (GPM)	Last 3 digits *(AF__)	ΔP control ranges (psid)
0.35	G35	2 - 14	2.60	2G6	2 - 32
0.50	G50		3.00	3G0	
0.75	G75		3.50	3G5	
1.00	1G0	4.00	4G0		
1.30	1G3	4.50	4G		
1.50	1G5	2 - 32	5.00	5G0	
1.75	1G7		6.00	6G0	4 - 34
2.00	2G0		7.00	7G0	
2.20	2G2		8.00	8G0	
2.50	2G5		9.00	9G0	5 - 35
		10.00	10G		

All fittings are union style.

We reserve the right to change our products and their relevant technical data, contained in this publication, at any time and without prior notice. Contractors should request production drawings if prefabricating the system.

Job name _____
 Job location _____
 Engineer _____
 Mechanical contractor _____
 Contractor's P.O. No. _____
 Representative _____

Size _____
 Quantity _____
 Approval _____
 Service _____
 Tag No. _____
 Notes _____