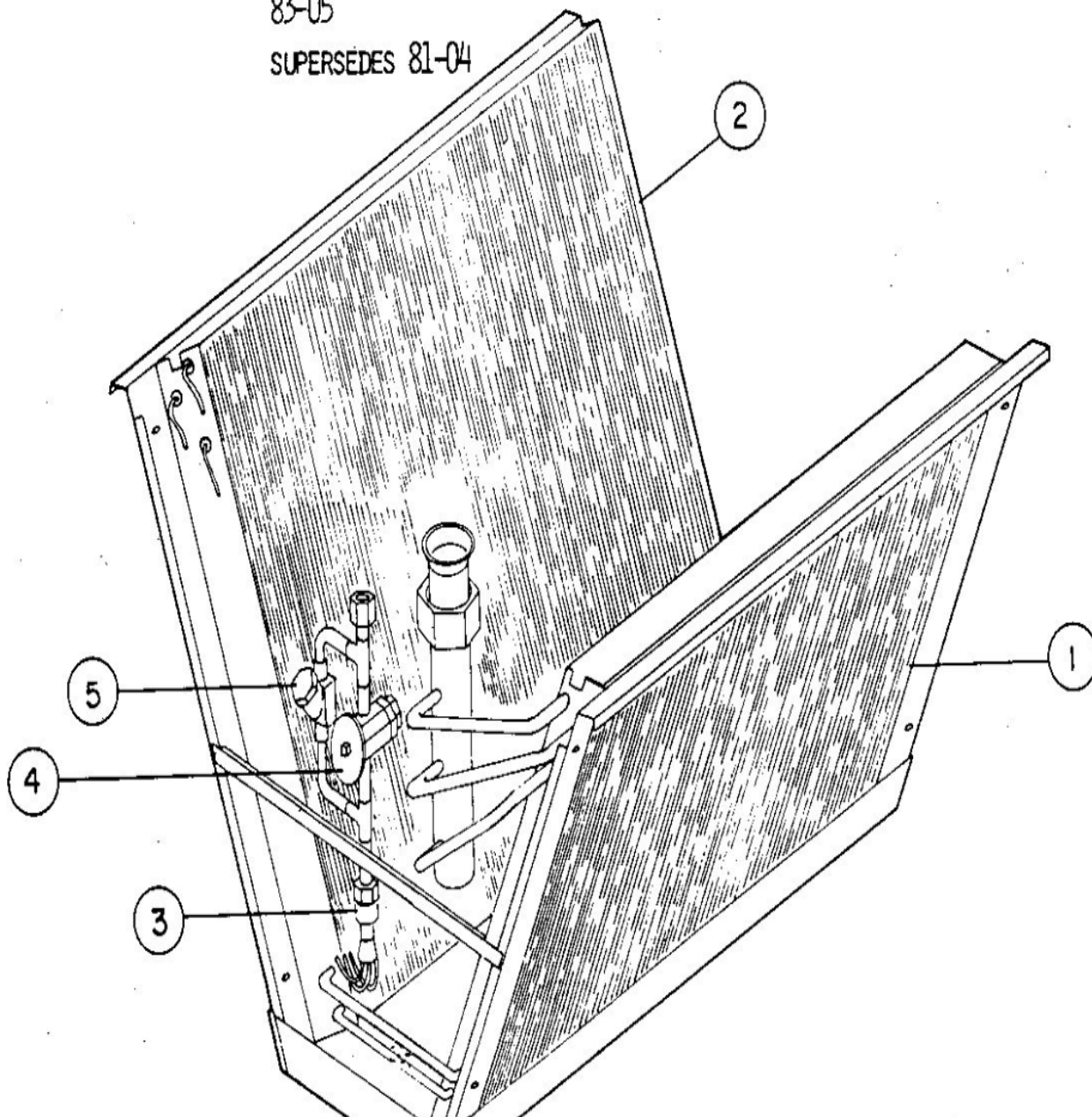


CV10, CVP10 SERIES (CANADIAN)

HEAT TRANSFER COILS (FOR EC10)

83-05

SUPERSEDES 81-04



Revision Number - 1

PARTS LISTING

Callout	Name	Quantity	Description
	CHECK VALVE KIT Cat #: TC-24100 Model/Part #: TC-24100	1	HEAT PUMP ONLY
	CHECK VALVE KIT Cat #: TC-24110 Model/Part #: TC-24110	1	HEAT PUMP ONLY
	KIT-EXPANSION VALVE Cat #: TC-24120 Model/Part #: TC-24120	1	COOLING ONLY
	KIT-EXPANSION VALVE Cat #: TC-24130 Model/Part #: TC-24130	1	COOLING ONLY
1	COIL-SLAB Cat #: LB-34368C Model/Part #: LB-34368C	1	RIGHT
1	COIL-SLAB Cat #: LB-34379C Model/Part #: LB-34379C	1	RIGHT
1	COIL-SLAB Cat #: LB-35182C Model/Part #: LB-35182C	1	RIGHT
1	COIL-SLAB Cat #: LB-35195C Model/Part #: LB-35195C	1	RIGHT
1	COIL-SLAB Cat #: LB-35207C Model/Part #: LB-35207C	1	RIGHT
2	COIL-SLAB Cat #: LB-34367C Model/Part #: LB-34367C	1	LEFT
2	COIL-SLAB Cat #: LB-34378C Model/Part #: LB-34378C	1	LEFT
2	COIL-SLAB Cat #: LB-35183C Model/Part #: LB-35183C	1	LEFT
2	COIL-SLAB Cat #: LB-35194C Model/Part #: LB-35194C	1	LEFT
2	COIL-SLAB Cat #: LB-35208C Model/Part #: LB-35208C	1	LEFT
3	DISTRIBUTOR Cat #: 14B97 Model/Part #: 14B9701	1	DISTRIBUTOR

Callout	Name	Quantity	Description
3	DISTRIBUTOR Cat #: 83A21 Model/Part #: 83A2101	1	DISTRIBUTOR
3	DISTRIBUTOR Cat #: 40A76 Model/Part #: P-8-10368	1	DISTRIBUTOR, 3 CIRCUITS
3	DISTRIBUTOR Cat #: 41A29 Model/Part #: P-8-10369	1	DISTRIBUTOR, 4 CIRCUITS
3	DISTRIBUTOR Cat #: 38A19 Model/Part #: P-8-10509	1	DISTRIBUTOR, 5 CIRCUITS
4	VALVE-EXPANSION Cat #: 62A37 Model/Part #: 62A3701	1	HEAT PUMP ONLY
4	VALVE-EXPANSION Cat #: 62A48 Model/Part #: 62A4801	1	COOLING OR HEAT PUMP
4	VALVE-EXPANSION Cat #: 62A49 Model/Part #: 62A4901	1	COOLING OR HEAT PUMP
4	VALVE-EXPANSION Cat #: 79A74 Model/Part #: 79A7401	1	COOLING ONLY
4	VALVE-EXPANSION Cat #: 79A75 Model/Part #: 79A7501	1	COOLING ONLY
5	VALVE-CHECK Cat #: 57927 Model/Part #: P-8-1697	1	HEAT PUMP ONLY

Note:

There are no technical notes for this product.