



# Guide for Ordering Replacement Locks and Keys for Bobrick Washroom Equipment

The same lock is used on variations of a basic cabinet, such as cabinets with skirts, cabinets with optional features designated by suffix numbers or variations in soap valves, door, depth of waste receptacle, finish; or any other modifications which would not affect the lock. All models keyed alike with Bobrick CAT-74 Key, P/N 330-43, except for security, vendor coin boxes have Key P/N 352-112. If lock with CAT-118 Key is ordered, use P/N 352-122. A BobKey is included with soap vessels and theft-resistant spindles.

Model Number	Lock & Key	Model Number	Lock & Key
B-254	39003-21		3706-15
B-262	352-100		3706-214
	2621-8 (Knob Latch)	B-370634 <sup>(5)</sup>	383257 (Door Lock)
B-2621	2621-8 (Knob Latch)		3706-15
B-26212	352-100		3706-214
B-263	263-39		3706-15
B-2012, B-2013	2012-41		3706-214
B-2706 <sup>(5)</sup>	383257 (Door)	B-3803 Series	39003-21
	3706-15 (Security Lock)	B-38030 Series	38030-304 (Door Lock & Key)
	3706-214		38030-318 (Lock, Key, & Mtg Plate Assy)
B-2746	2746-9	B-38033	38030-304 (Lock & Key)
B-2860	3500-100	B-386	388-42
B-2888	388-42	B-3888	388-42
	2621-8 (Knob Latch)		2621-8 (Knob Latch)
B-2890	2890-17 (lock and key)	B-39003 Series	39003-21
	2890-41 (key only)	B-3944 Series	330-41 (Door: 2006 & earlier)
B-2892	2892-36		330-148 (Old Door Knob Latch)
B-2974	3500-100 (Door)		3944-30 (Door, Convertible: 2007 & newer)
B-29744	3500-100 (Door)		3944-41 (Waste Receptacle)
B-301	301-19		3944-143 (New Knob Latch Waste)
B-3013	388-42	B-3961	38077-15 (Old Door)
B-3091	388-42		3500-100 (New Door)
B-3092	388-42		3944-41 (Receptacle)
B-30919	388-42		3944-143 (Knob Latch)
B-30929	388-42	B-3974	3500-100 (Door)
B-3094	353-25		3944-41 (Receptacle)
B-347 Series	314370-22 (Old Knob Latch) 3803-5	B-39747	3500-100 (Door)
B-353	39003-21		3944-41 (Receptacle)
	314370-22 (Knob Latch)	B-3979	3500-100 (Door)
B-354	39003-21		3944-41 (Receptacle)
	314370-22 (Knob Latch)	B-4262	4262-36
B-357 Series	314370-22 (Old Knob Latch)	B-4288	288-42
	3803-5 (Top & Bottom)	B-4369	4369-20
B-3570 Series	39003-21	B-4388	288-42
	314370-22 (Knob Latch)	B-4706 <sup>(6)</sup>	43500-24 (Door)
B-359	352-100		4706-175
	2621-8 (Knob Latch)		3706-214
B-3588, B-35883	388-42 (Lock & Key)	B-72974	24-17 BobKey
	2621-8 (Knob Latch)	B-9262	4369-20
B-359033, B-359039	3013-112 (Lock & Key)	B-9890	4369-20
B-369	369-42 (Knob Latch)		
	319148		
B-3644	3944-41		
B-3706 <sup>(5)</sup>	383257 (Door Lock)		
	3706-15 (Security Lock)		
	3706-214 (Coin Box)		
B-37063 <sup>(5)</sup>	383257 (Door Lock)		

## Earlier Production with Non-Current Locks

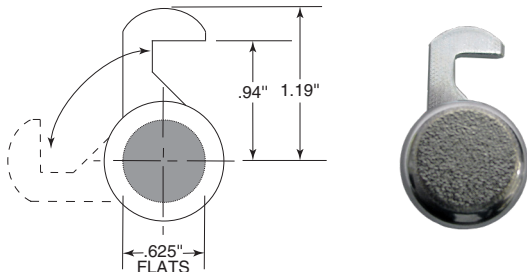
Model Number	Lock & Key	Units Manufactured
B-288	388-19	Prior to January 1972
B-306, B-3067	305-19	
B-307, B-3077		
B-366 Series	360-48	Prior to October 1986
B-369	317893-42	Prior to September 2000
B-386, 388	288-122	Between 1/72 and 4/89

# Lock & Key Reference Guide

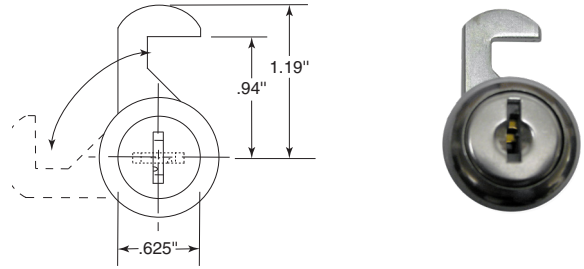
<p style="text-align: center;"><b>2621-8 (Knob Latch)</b></p>	<p style="text-align: center;"><b>263-39</b></p>
<p style="text-align: center;"><b>2746-9</b></p>	<p style="text-align: center;"><b>288-122</b></p>
<p style="text-align: center;"><b>288-42</b></p>	<p style="text-align: center;"><b>2892-36</b></p>
<p style="text-align: center;"><b>301-19</b></p>	<p style="text-align: center;"><b>314370-22 (Knob Latch)</b></p>

# Lock & Key Reference Guide

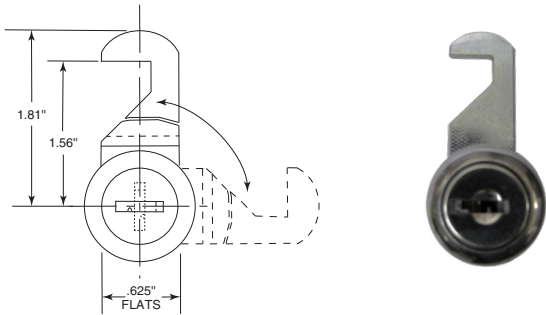
**330-148 (Old Door Knob Latch)**



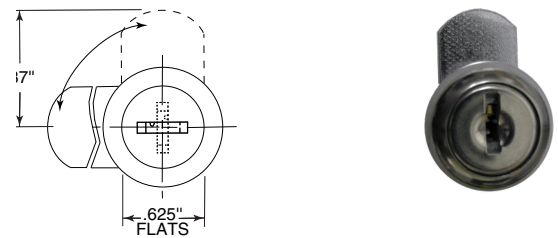
**330-41 (Old Door)**



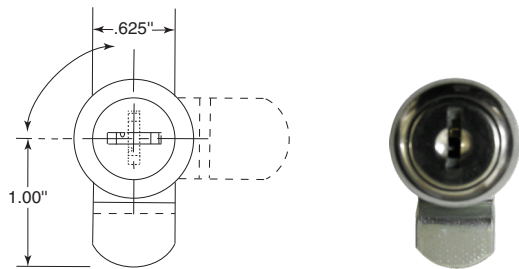
**3500-100 (Door)**



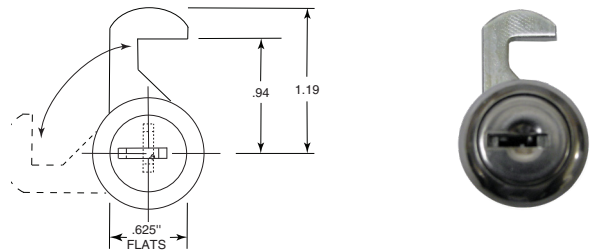
**352-100**



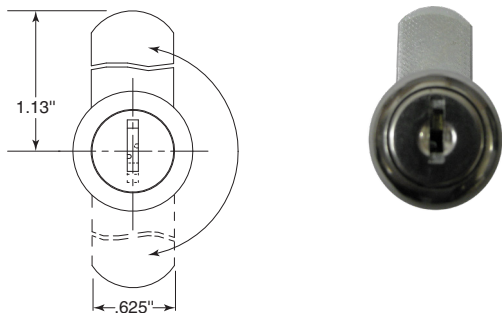
**353-25**



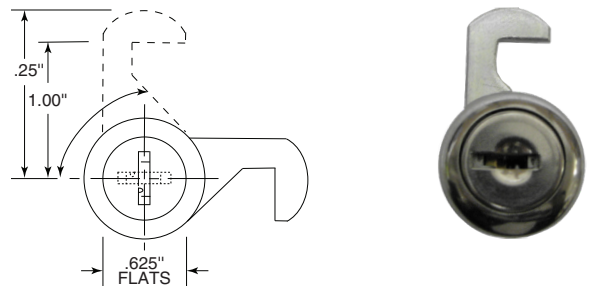
**3706-144 (Coin Box)**



**3706-175 (Security Lock) CAT Key 118**



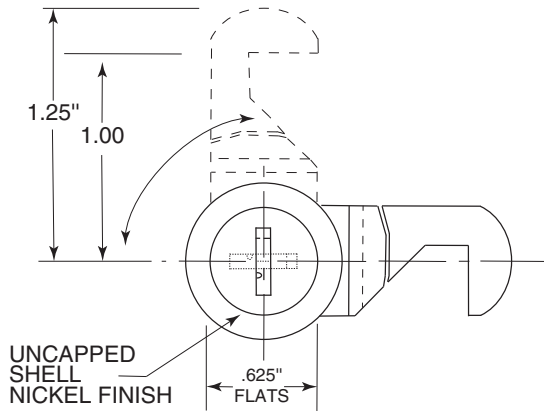
**38077-15 (Towel Dispenser)**



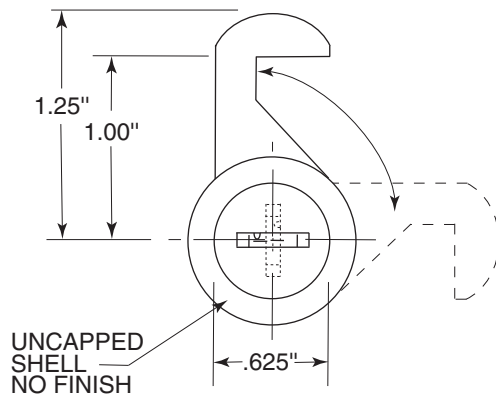
<p><b>383257 (Door Lock)</b></p>	<p><b>388-42</b></p>
<p><b>39003-21</b></p>	<p><b>3944-143 (Knob Latch)</b></p>
<p><b>3944-30 (New Door, Convertible)</b></p>	<p><b>3944-41 (Waste Receptacle)</b></p>
<p><b>4262-36</b></p>	<p><b>43500-24 (Door)</b></p>

# Lock & Key Reference Guide

4369-20



4706-175  
(Security Lock)  
CAT Key 118





BUILDING VALUE SINCE 1906

# Lock & Key Reference Guide

Discontinued Models		Discontinued Models	
B-235	330-41	B-364	3944-41
B-267	360-48	B-364077	3803-5
B-2793	352-100	B-3649	3944-41
B-2800	2800-28 (upper)	B-3645	3944-41
	2800-48 (lower)	B-36503 Series <sup>(2)</sup>	3803-5
	3500-58 (Coin Box)	B-366 Series	305-19
B-2801	234-51 (upper)	B-367 <sup>(4)</sup>	3944-41
	2802X2-22 (lower)	B-36703	39003-21
B-2802 Series	234-51 (upper)	B-367077	3803-5
	2802X2-22 (lower)	B-368 <sup>(4)</sup>	3944-41
	234-44 (Coin Box)	B-372	330-41
B-282 <sup>(3)</sup>	352-50	B-376	288-122
	352-111 (Coin Box)	B-378	288-122
B-288	288-122	B-38074	38077-15
B-2893	2892-36	B-3807	38077-15
B-3017	288-122	B-3860	360-48
B-304	301-19	B-3861	360-48
B-31903	330-41	B-388	288-42
B-31907	330-41	B-3900 Series	330-41 (Door)
B-3220	330-41		3944-41 (Receptacle)
B-3226	330-41	B-39007	38077-15
B-323	330-41	B-390074	38077-15
B-330 Series	330-41	B-3950	305-19
B-3300	330-41	B-3960	360-48 (Towel Dispenser)
B-3301	330-41		3944-41 (Waste Receptacle)
B-3302	330-41	B-39603	39603-15
B-332	330-41		815049 (Knob Latch)
B-3330	330-41	B-396034	815049 (Knob Latch)
B-3336	330-41	B-39607	38077-15
B-334	330-41	B-43500	43500-24
B-347 (Before May 1994)	301-19	B-4362	4369-20
B-33007	330-41	B-520	305-19 Door
B-3500 <sup>(7)</sup>	3500-100 (upper)		3944-41 Receptacle
	3500-99 (lower)	B-525	39003-21
	3500-58 (Coin Box)	B-52507	39003-21
B-3502 Series <sup>(2)</sup>	344-42	B-52503	39003-21
	3502X2-22 (lower)	B-52860	52860-21
	234-44 (Coin Box)	B-590	330-41 Door
B-352 <sup>(3)</sup>	352-50	B-591	330-41 Door
	352-111 (Coin Box)	B-930	305-19
B-35907	38077-15		
	314370-22 (Knob Latch)		
B-357 (Before May 1994)	301-19 (Seat Cover)		
	353-25 (Disposal)		
B-360 Series	305-19 (2 required)		
B-360P	305-19 (2 required)		
B-36003 Series	39003-21 (2 required)		
B-360039	39003-21 (2 required)		
B-361	330-41		
B-362	305-19		
B-36203	4063-16		
B-363	305-19		

- (1) For added security, use 2800-101 (upper) and 2800-104 (lower); both keyed to CAT-118.
- (2) For added security, use 344-120; keyed to CAT-118.
- (3) For added security, use 352-120 (upper and lower); keyed to CAT-118.
- (4) Can be converted to knob latch with conversion kit P/N 360-142.
- (5) For added security, use 3706-175 keyed to CAT-118
- (6) For added security, use 4706-175 keyed to CAT-118
- (7) For added security, use 3500-101 (upper) and 3500-105 (lower); both keyed to CAT-118.

**In the United States: BOBRICK WASHROOM EQUIPMENT, INC.**

**New York:** 200 Commerce Drive, Clifton Park, NY 12065-1350 • Tel: (518) 877-7444 • Fax: (518)-877-5029  
**Los Angeles:** 6901 Tujunga Ave, North Hollywood, CA 91605-6213 • Tel: (818) 982-9600 • Fax: (818)-503-9287  
 or email customerservice@bobrick.com

**In Canada: BOBRICK WASHROOM EQUIPMENT COMPANY**

45 Rolark Drive, Scarborough, Ontario M1R 3B1 • **Eastern Canada:** Tel: (877) 423-6555 • Fax: (877) 423-8555  
 • **Western Canada:** Tel: (877) 423-6444 • Fax: (877) 423-8444 or email customerservice@bobrick.com