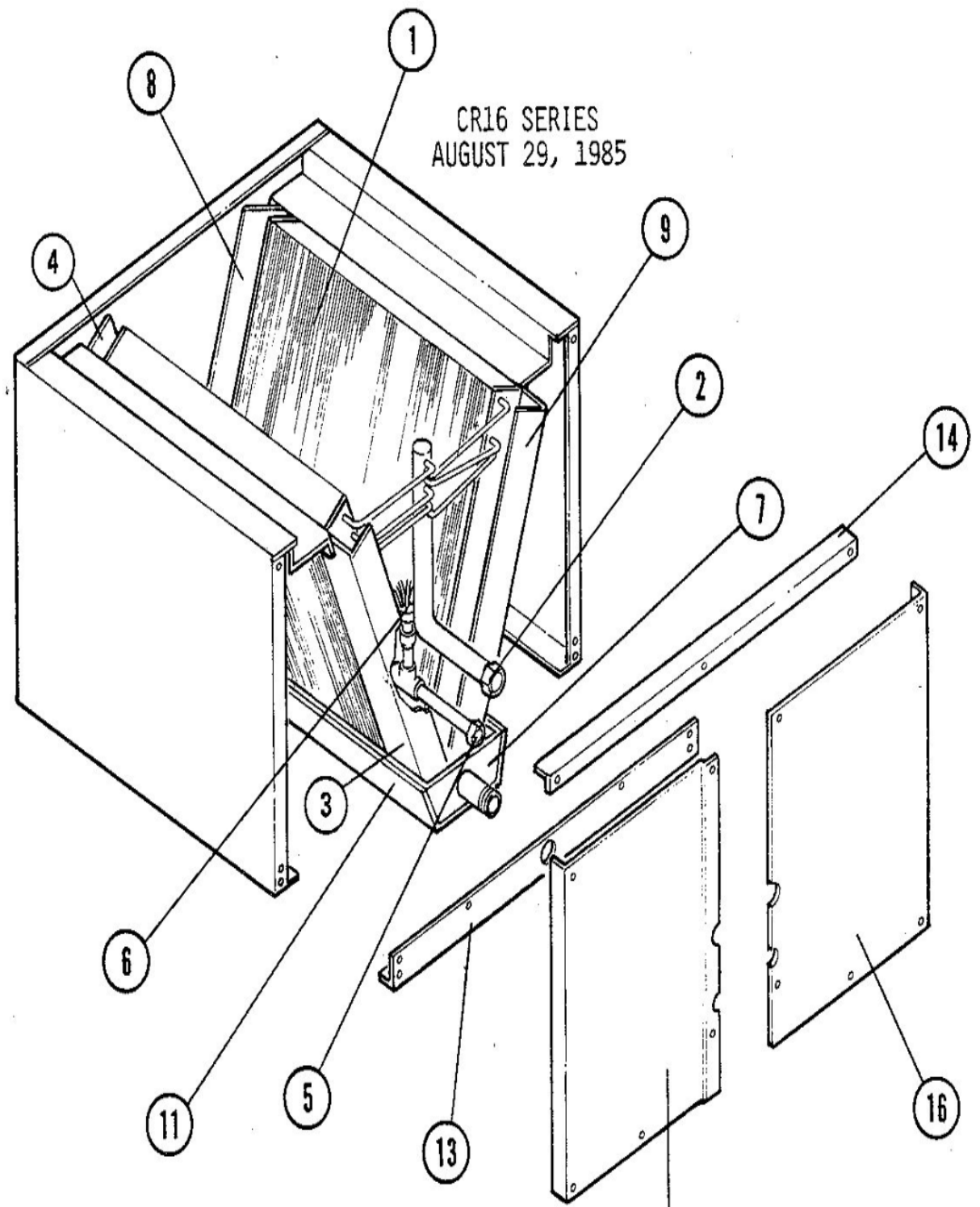


CR16 SERIES
AUGUST 29, 1985



Revision Number - 2

*OPTIONAL PARTS-FIELD INSTALLED

Callout	Name	Quantity	Description
	VALVE-EXPANSION Cat #: 36G98 Model/Part #: 36G9801	1	VALVE-EXP
	VALVE-EXPANSION Cat #: 43G02 Model/Part #: 43G0201	1	VALVE EXPANSION CK.

PARTS LISTING

Callout	Name	Quantity	Description
	FITTING PRESS TAP Cat #: 86G64 Model/Part #: 86G6401	1	SUCTION MANIFOLD
	RAIL Cat #: LB-55773C Model/Part #: LB-55773C	2	COIL GUIDE
	CAP-SEAL Cat #: 58114 Model/Part #: P-8-3187	1	SUCTION MANIFOLD
	ELBOW Cat #: 68879 Model/Part #: P-8-9064	1	"FLARE,90 DEG"
1	COIL-INDOOR Cat #: 25-663AD Model/Part #: 25-663AD	1	COMPLETE ASSY
2	ADAPTER Cat #: 58000 Model/Part #: P-8-2504	1	"SUCT MANIFOLD,3/4""F TO 7/8""S"
5	NUT Cat #: P-8-3119 Model/Part #: P-8-3119	1	"FLARE,LIQUID LINE,1/2"" X 3/8"""
6	DISTRIBUTOR ASSY Cat #: 88F02 Model/Part #: LB-53135CC	1	DIST ASSY
7	PAN-DRAIN Cat #: 75G20 Model/Part #: LB-52383CA	1	PAN-DRAIN SA
08-MAR	SHIELD Cat #: LB-55495C Model/Part #: LB-55495C	2	AIR-RIGHT REAR & LEFT FRONT

Callout	Name	Quantity	Description
09- APR	SHIELD Cat #: LB-55496C Model/Part #: LB-55496C	2	AIR-LEFT REAR & RIGHT FRONT
11	SHIELD Cat #: 94G97 Model/Part #: LB-52381CA	1	DRAIN PAN
13	SUPPORT-COIL Cat #: LB-52379CG Model/Part #: LB-52379CG	1	BOTTOM
16	PANEL Cat #: 12H24 Model/Part #: LB-52387CC	1	ACCESS-RIGHT
17	PANEL Cat #: 12H23 Model/Part #: LB-52385CC	1	ACCESS-LEFT

Note:

Note1: IF LB-34792BC CHECK VALVE KIT WAS USED ORDER 15B4201 EXPANSION VALVE.

Note2: IF LB-34792BD CHECK VALVE KIT WAS USED ORDER 62A4801 EXPANSION VALVE.