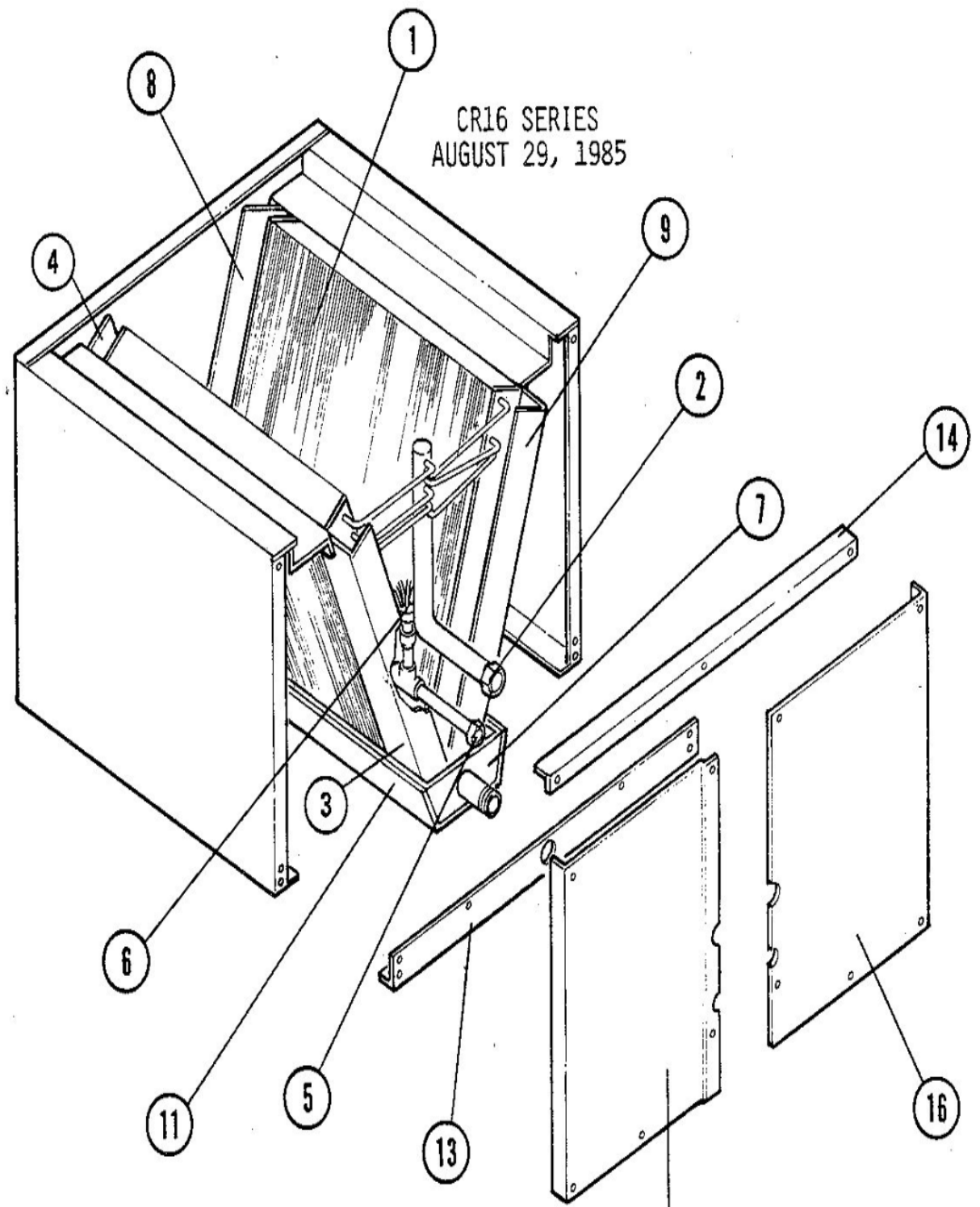


CR16 SERIES
AUGUST 29, 1985



Revision Number - 2

*OPTIONAL PARTS-FIELD INSTALLED

Callout	Name	Quantity	Description
	VALVE-EXPANSION Cat #: 25G81 Model/Part #: 25G8101	1	VALVE EXP/CK
	VALVE-EXPANSION Cat #: 36G98 Model/Part #: 36G9801	1	VALVE-EXP

PARTS LISTING

Callout	Name	Quantity	Description
	FITTING PRESS TAP Cat #: 86G64 Model/Part #: 86G6401	1	SUCTION MANIFOLD
	ELBOW Cat #: 58063 Model/Part #: P-8-2936	1	"FLARE,90 DEG"
	CAP-SEAL Cat #: 58114 Model/Part #: P-8-3187	1	SUCTION MANIFOLD
1	COIL-INDOOR Cat #: 25-663AC Model/Part #: 25-663AC	1	COMPLETE ASSY
2	FLARENUT Cat #: 57912 Model/Part #: P-8-1625	1	"FLARE- SUCTION MANIFOLD,3/4""
5	NUT Cat #: P-8-3119 Model/Part #: P-8-3119	1	"FLARE,LIQUID LINE,1/2"" X 3/8""
6	DISTRIBUTOR ASSY Cat #: LB-53135CB Model/Part #: LB-53135CB	1	DISTRIBUTOR ASSY
7	PAN-DRAIN Cat #: 75G20 Model/Part #: LB-52383CA	1	PAN-DRAIN SA
08- MAR	SHIELD Cat #: LB-55493C Model/Part #: LB-55493C	2	AIR-RIGHT REAR & LEFT FRONT
09- APR	SHIELD Cat #: LB-55494C Model/Part #: LB-55494C	2	AIR-LEFT REAR & RIGHT FRONT

Callout	Name	Quantity	Description
11	SHIELD Cat #: 94G97 Model/Part #: LB-52381CA	1	DRAIN PAN
13	SUPPORT-COIL Cat #: LB-52379CF Model/Part #: LB-52379CF	1	BOTTOM
16	PANEL Cat #: 74G81 Model/Part #: LB-52387CB	1	ACCESS-RIGHT
17	PANEL Cat #: 74G80 Model/Part #: LB-52385CB	1	ACCESS-LEFT

Note:

Note1: IF LB-34792BC CHECK VALVE KIT WAS USED ORDER 15B4201 EXPANSION VALVE.

Note2: IF LB-34792BA CHECK VALVE KIT WAS USED ORDER 62A3701 EXPANSION VALVE.