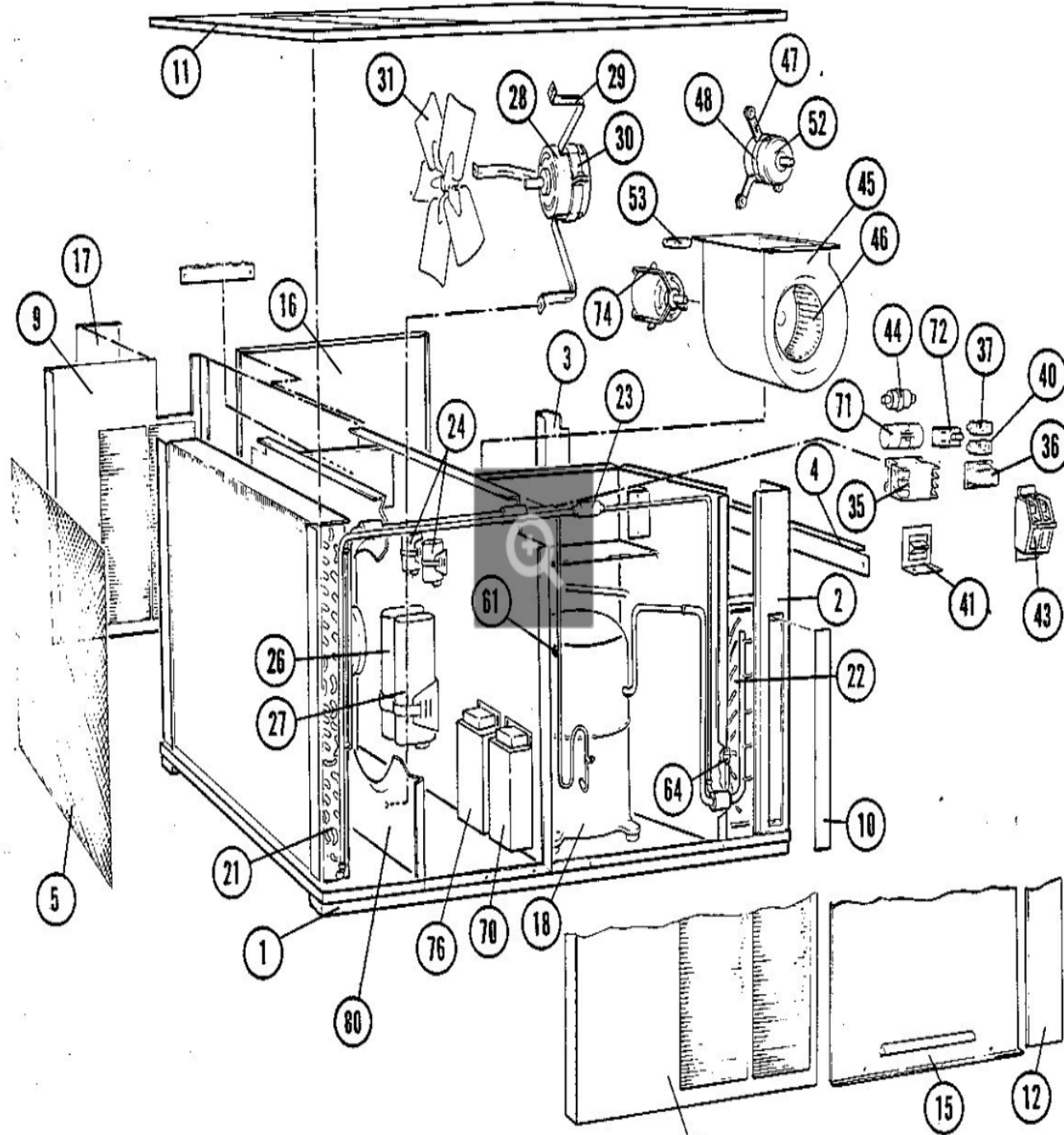


CHA9/MCHA9 SERIES

MAY 7, 1985



Revision Number - 1

*OPTIONAL PARTS-FIELD INSTALLED

Callout	Name	Quantity	Description
	THERMOSTAT Cat #: 43C78 Model/Part #: 43C7801	1	THERMOSTAT
	TEE Cat #: 87071 Model/Part #: P-8-10569	1	SCHRADER DEPRESSOR
	NUT Cat #: 59498 Model/Part #: P-8-1218	2	FLARE
	KNOB-DIAL Cat #: 6882 Model/Part #: P-8-3096	1	FOR THERMOSTAT
	CAP-SEAL Cat #: 58114 Model/Part #: P-8-3187	1	CAP, BRASS
	FITTING Cat #: 59784 Model/Part #: P-8-4934	2	STRAIN RELIEF
	SWITCH-LO PRESS Cat #: 68493 Model/Part #: P-8-6383	1	"IN 285PSIG,OUT 140PSIG"

BLOWER PARTS

Callout	Name	Quantity	Description
	PLATE-CUTOFF Cat #: 15C11 Model/Part #: LB-43753C	1	(INTL ONLY)
	PLATE-CUTOFF Cat #: 39A22 Model/Part #: LB-43754C	1	PLT C/O
45	HOUSING BLOWER (73A64) Cat #: LB-43433BC Model/Part #: LB-43433BC	1	(INTL ONLY)
45	HOUSING-BLOWER Cat #: 21882 Model/Part #: LB-43433BD	1	BLOWER HOUSING
46	WHEEL-BLOWER Cat #: 21703 Model/Part #: P-5-224	1	"12-5/8""X12- 5/8""X5/8""BORE"
46	WHEEL-BLOWER	1	"10-5/8""X10-

Callout	Name	Quantity	Description
	Cat #: 16596 Model/Part #: P-8-10471		5/8""X1/2""BORE (INTL ONLY)
47	ARM-MOTOR MOUNT Cat #: 32865 Model/Part #: P-8-9500	3	(INTL ONLY)
48	BAND-MOTOR Cat #: LB-75126D Model/Part #: LB-75126D	1	FOR MOTOR MTG (INTL ONLY)
52	MOTOR-BLOWER Cat #: 32941 Model/Part #: P-8-10351	1	"3/4HP,1625RPM,208-230/60/1 (INTL ONLY)"
52	MOTOR-BLOWER Cat #: 32843 Model/Part #: P-8-8711	1	"3/4HP,1075RPM,208-230/60/1"
53	CAPACITOR-BLR MTR Cat #: 53H32 Model/Part #: P-8-1947	1	"7MFD,370VAC"
74	FRAME-MOTOR Cat #: 68904 Model/Part #: LB-14713	3	MOTOR FRAME ASSEMBLY

CABINET PARTS

Callout	Name	Quantity	Description
	BAR-BUSS Cat #: LB-21838 Model/Part #: LB-21838	1	(INTL ONLY)
	PAN-DRAIN Cat #: 46C74 Model/Part #: LB-43348CB	1	I.D. COIL
	SHIELD-DRIP Cat #: 12G46 Model/Part #: LB-43727B	1	I.D. COIL COMP DIV PANEL
	SHIELD-DRIP Cat #: 31F84 Model/Part #: LB-43760C	1	I.D. BLO SECT
	ANGLE Cat #: 86C88 Model/Part #: LB-43762D	1	SUPPORT
	COVER-CONTROL BOX Cat #: 83F61 Model/Part #: LB-43766C	1	(3PH UNITS)
	COVER-CONTROL BOX Cat #: LB-43776C Model/Part #: LB-43776C	1	(1PH UNITS)

Callout	Name	Quantity	Description
	ANGLE Cat #: 59C21 Model/Part #: LB-44290C	1	COIL PROTECTION
	BRACKET Cat #: LB-45278D Model/Part #: LB-45278D	1	ELEMENT SUPPORT
	BEARING Cat #: 68403 Model/Part #: P-8-4425	1	FOR BUSS BAR(INTL ONLY)
	FILTER-AIR Cat #: 30334 Model/Part #: P-8-7820	2	"16"" X 20"" X 1"" ,SLAB"
1	RAIL-BASE Cat #: 50365 Model/Part #: LB-43703C	2	RAIL
2	MULLION Cat #: 50356 Model/Part #: LB-43383CB	1	I.D. COIL-CORNER FRONT
3	MULLION Cat #: 51A59 Model/Part #: LB-43730CA	1	I.D. COIL-CORNER REAR
5	GUARD-OUTDOOR COIL Cat #: 58A90 Model/Part #: LB-29818B	1	GUARD-COIL
8	MULLION Cat #: 50239 Model/Part #: LB-43756A	1	OUTDOOR COIL-FRONT
9	MULLION Cat #: 36A41 Model/Part #: LB-43758A	1	OUTDOOR COIL-REAR
10	PANEL Cat #: 14F16 Model/Part #: LB-48911CB	1	FILTER SECTION
11	PANEL-TOP Cat #: 50240 Model/Part #: LB-43763BA	1	PANEL-TOP
12	PANEL Cat #: 40A32 Model/Part #: LB-43767CA	1	I.D. COIL SECTION
15	PANEL Cat #: 50431 Model/Part #: LB-43461CB	1	COMP SECTION
16	PANEL Cat #: 50286 Model/Part #: LB-43770CA	1	I.D. BLOWER SECTION
17	COVER Cat #: 55C91 Model/Part #: LB-43774D	1	MAKEUP BOX

CONTROL PANEL PARTS

Callout	Name	Quantity	Description
	BRACKET Cat #: LB-33682D Model/Part #: LB-33682D	1	(USE W/75A7901 TRANSFORMER)
	BRACKET Cat #: LB-43775D Model/Part #: LB-43775D	1	CIRCUIT BRKR(1PH ONLY)
	BRACKET Cat #: LB-6306 Model/Part #: LB-6306	1	START CAP MTG
	ANGLE Cat #: 87174 Model/Part #: P-8-10411	2	CIRCUIT BRKR(1PH ONLY)
	RELAY-POTENTIAL Cat #: 66463 Model/Part #: P-8-1617	1	"SPNC,420V(1PH ONLY)"
	FUSE Cat #: 66247 Model/Part #: P-8-1674	1	"TRANSF-2.5AMP,TYPE C,250V"
	BUSHING-SNAP Cat #: 86795 Model/Part #: P-8-8278	3	"7/10" "I.D. FOR 7/8" "OPENING"
35	CONTACTOR Cat #: 68652 Model/Part #: P-8-7711	1	"DPDT,24V(1PH UNITS)"
35	CONTACTOR Cat #: 38393 Model/Part #: P-8-7736	1	"3PDT,24V(3PH UNITS)"
36	TRANSFORMER Cat #: 13H28 Model/Part #: 75A7901	1	"208/230VPRI,24VSEC,50VA,NO FUSE(208-230
36	TRANSFORMER Cat #: 66571 Model/Part #: P-8-649	1	"230VPRI,24VSEC,50VA,W/FUSE (220-240/50/
37	RELAY	1	"I.D. BLOWER-SPDT,24V"

Callout	Name	Quantity	Description
	Cat #: 38246 Model/Part #: P-8-7355		
40	RELAY Cat #: 37556 Model/Part #: P-8-7354	1	"FAN MTR SPST,24V,(208-230/60/ 1;460/60/"
41	SWITCH Cat #: 79A77 Model/Part #: 79A7701	1	"VOLT SEL 208/230V,SPDT(USE W/75A7901 TR
43	SWITCH Cat #: 38757 Model/Part #: P-8-10395	1	"2POLE,30AMP(1PH ONLY)"
71	CAPACITOR-START Cat #: 66083 Model/Part #: P-8-1101	1	"135-155MFD,320VAC(1PH ONLY)"

COOLING PARTS

Callout	Name	Quantity	Description
	RELAY-OVERLOADINTERNAL(FOR P-8-11290 COM Cat #: Model/Part #:	1	
	CAP-SEAL Cat #: 66817 Model/Part #: P-8-1401	3	FITTING-PRESSURE TAP
	VALVE CORE Cat #: 66820 Model/Part #: P-8-1897	2	VALVE, CORE 8075910047
	BLOCK-TERMINAL Cat #: P-8-2742 Model/Part #: P-8-2742	1	MAKEUP BOX (220-240V INTL ONLY)
	CAP-SEAL Cat #: 58114 Model/Part #: P-8-3187	2	CAP, BRASS
	RELAY-OVERLOAD Cat #: 67704 Model/Part #: P-8-3815	2	(FOR P-8-10537 COMP)

Callout	Name	Quantity	Description
	RELAY-OVERLOAD Cat #: 67705 Model/Part #: P-8-3816	2	(FOR P-8-10597 COMP)
	RELAY-OVERLOAD Cat #: 67707 Model/Part #: P-8-3818	2	(FOR P-8-10536 COMP)
	BUSHING-SNAP Cat #: 86795 Model/Part #: P-8-8278	4	"MAKEUP BOX(7/10""I.D.FOR 7/8""OPENING)"
	BLOCK-TERMINAL Cat #: P-8-886 Model/Part #: P-8-886	1	MAKEUP BOX (380-420V INTL ONLY)
	BLOCK-TERMINAL Cat #: 38713 Model/Part #: P-8-9729	1	MAKEUP BOX(INTL ONLY)
	BUSHING-SNAP Cat #: P-8-9863 Model/Part #: P-8-9863	1	"1-5/16""I.D. FOR 1-1/2""OPENING"
	MOUNT PKG-COMP Cat #: 36A69 Model/Part #: PR-365	1	MOUNT PKG-COMP
18	COMPRESSOR Cat #: 72X96 Model/Part #: P-8-10536	1	"4TON,208-230/60/1,TEC"
18	COMPRESSOR Cat #: 72X94 Model/Part #: P-8-10537	1	"4TON,208-240/60/3,TEC"
18	COMPRESSOR Cat #: 14K58 Model/Part #: P-8-10597	1	"4TON,440-480/60/3,TEC"
18	COMPRESSOR Cat #: P-8-11290 Model/Part #: P-8-11290	1	"4TON,575/60/3,TEC (CANADIAN ONLY)"
21	COIL-OUTDOOR Cat #: 69143 Model/Part #: 8-6-8200C	1	L/MANIFOLD
22	COIL-INDOOR	1	W/MANIFOLD

Callout	Name	Quantity	Description
	Cat #: 58A88 Model/Part #: LB-26590BB		
23	CAP TUBE ASSY Cat #: 35A23 Model/Part #: LB-21974BE	1	"STRAINER,TUBES,&ADAPTORS"
24	CAPACITOR Cat #: 53H02 Model/Part #: P-8-1379	2	"5MFD,370VAC"
27	CAPACITOR-RUN Cat #: 87211 Model/Part #: P-8-10173	1	"45MFD,440VAC(1PH ONLY)"
28	MOTOR-FAN Cat #: 70C16 Model/Part #: P-8-9492	2	"1/6HP,1075RPM,208-230/60/1"
29	ARM-MOTOR MTG Cat #: 87088 Model/Part #: P-8-10465	6	O.D. FAN MOTOR
30	BAND-MOTOR Cat #: LB-75126D Model/Part #: LB-75126D	1	FOR MOTOR MTG (INTL ONLY)
31	FAN Cat #: 87089 Model/Part #: P-8-10469	2	"1/2""BORE,18""DIA,5 BLADES"
61	SWITCH-LO PRESS Cat #: 38509 Model/Part #: P-8-9152	1	"CUTIN 30PSIG,CUTOUT 10PSIG"
70	TRANSFORMER Cat #: 35C49 Model/Part #: P-8-11288	1	"600VPRI,120/240VSEC, 3000VA,NO FUSE(575
70	TRANSFORMER Cat #: 64A38 Model/Part #: P-8-11289	1	"240/480VPRI,120/240VSEC, 3000VA,NO FUSE

Note:

There are no technical notes for this product.