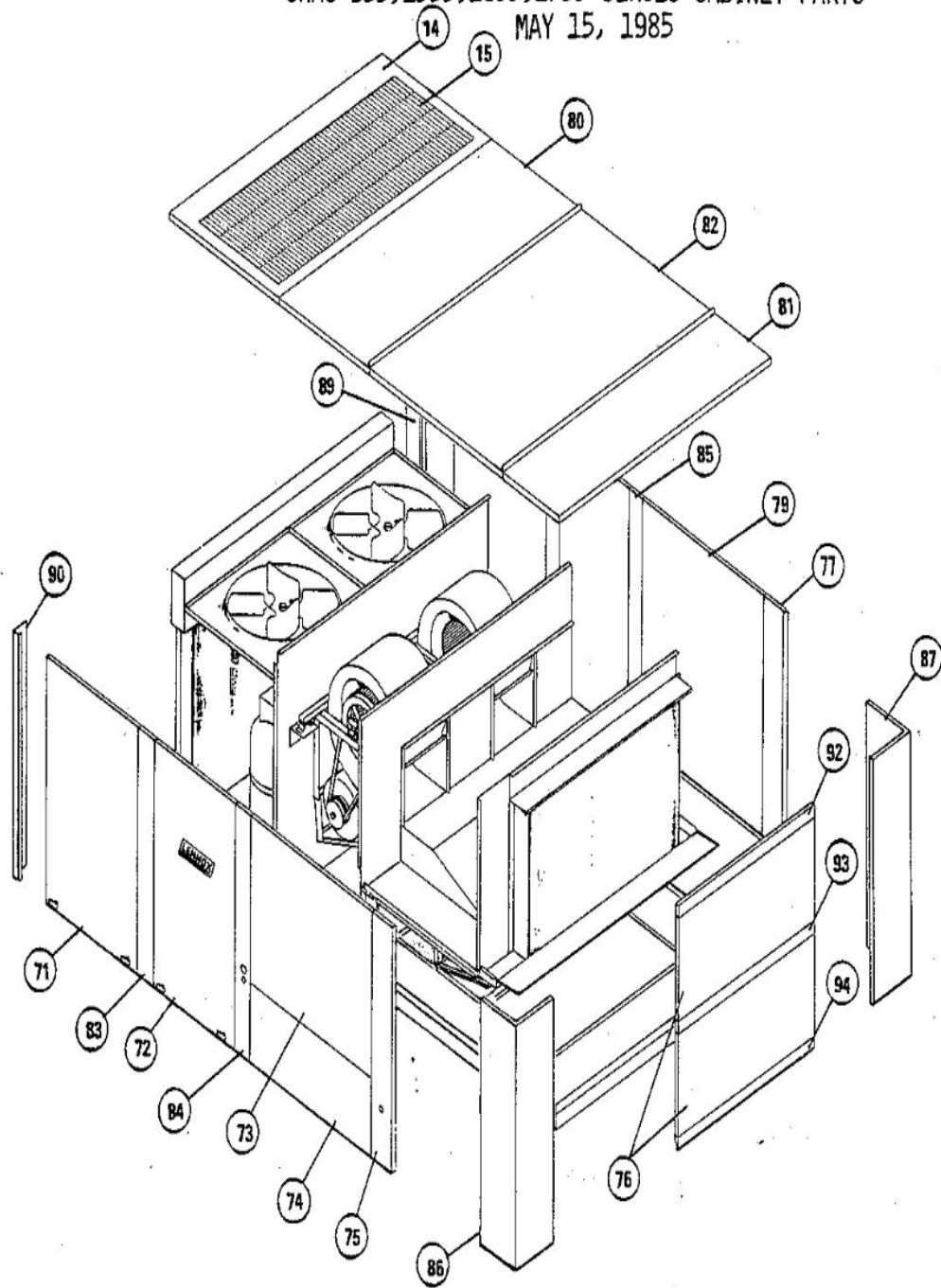
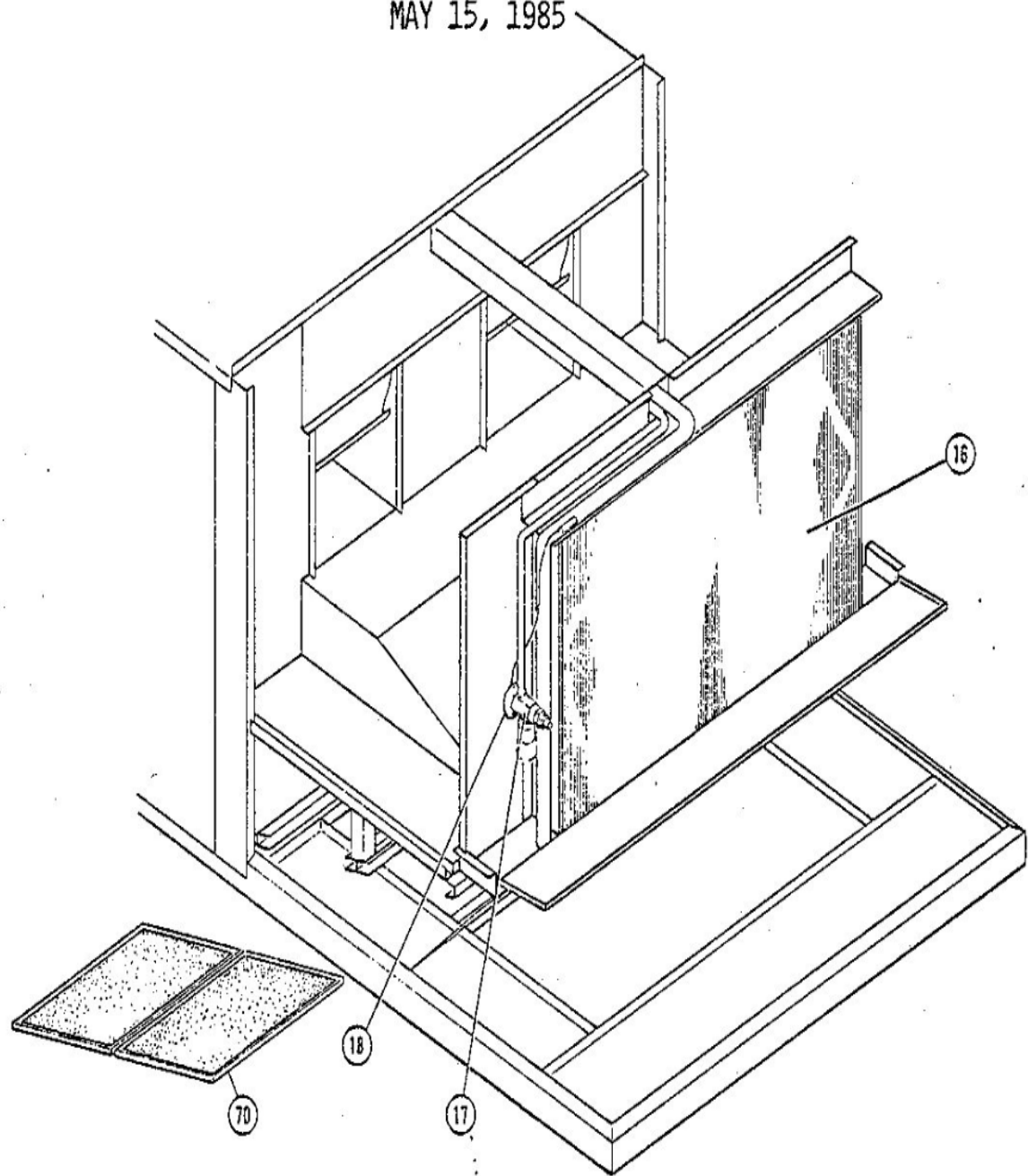


CHA8-953,1353,1853,2753 SERIES CABINET PARTS  
MAY 15, 1985



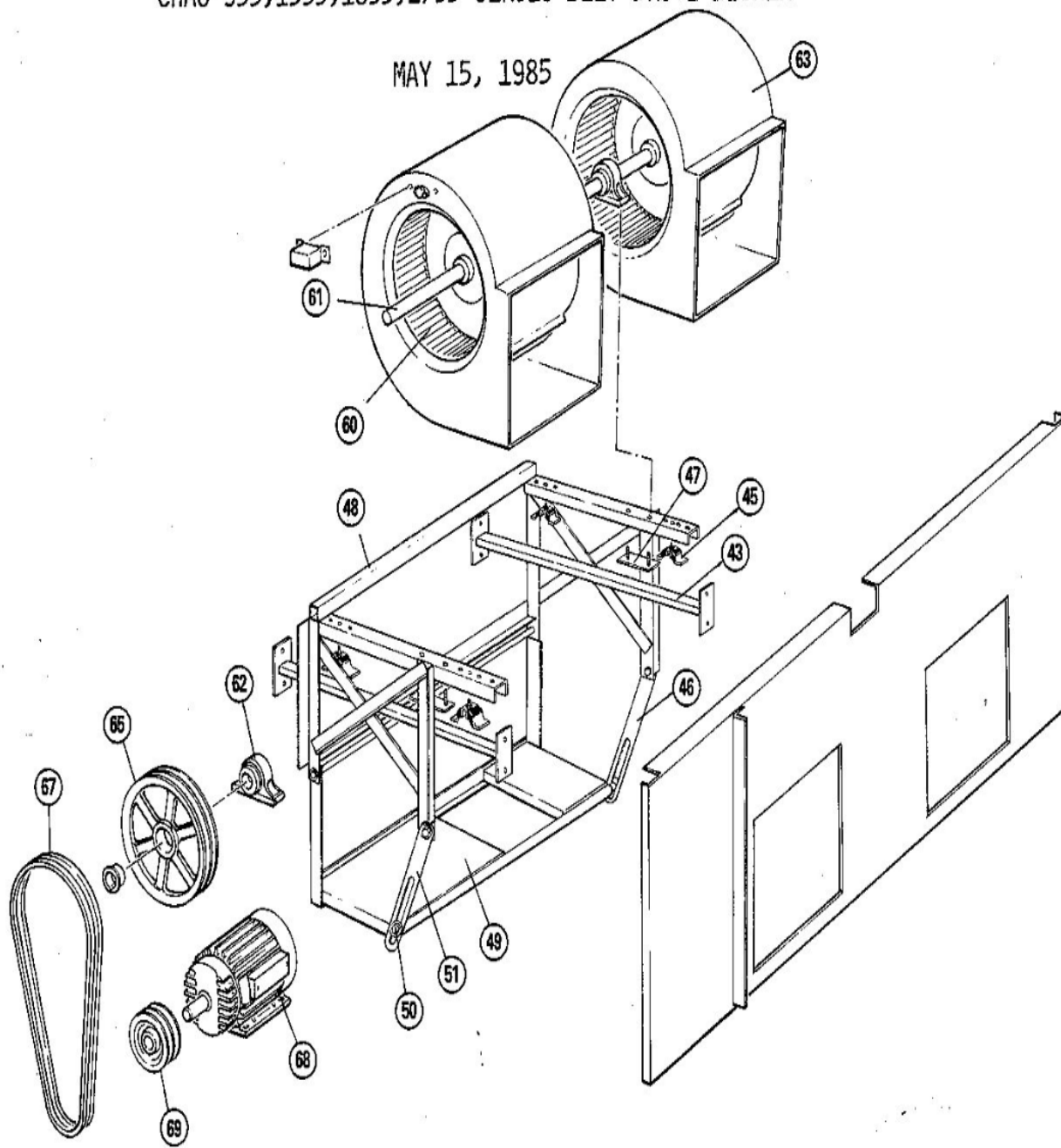


CHA8-953,1353,1853,2753 SERIES COOLING PARTS  
MAY 15, 1985

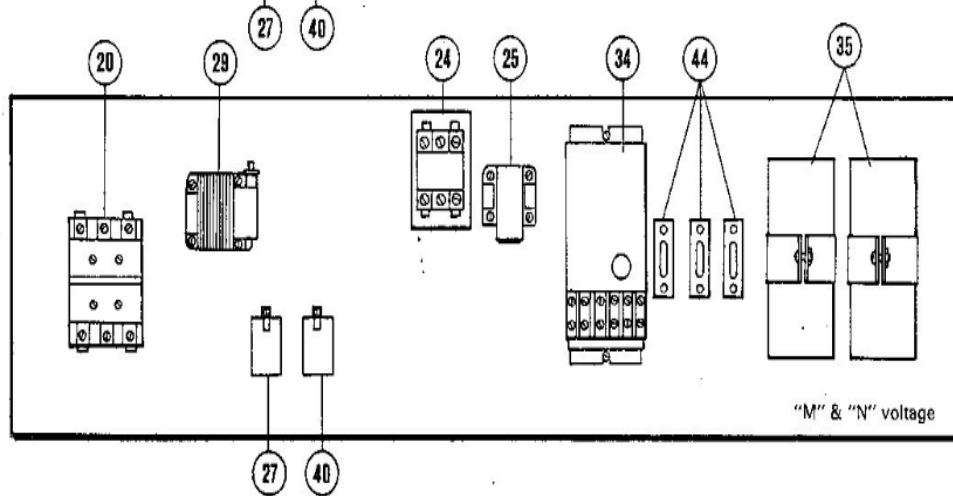
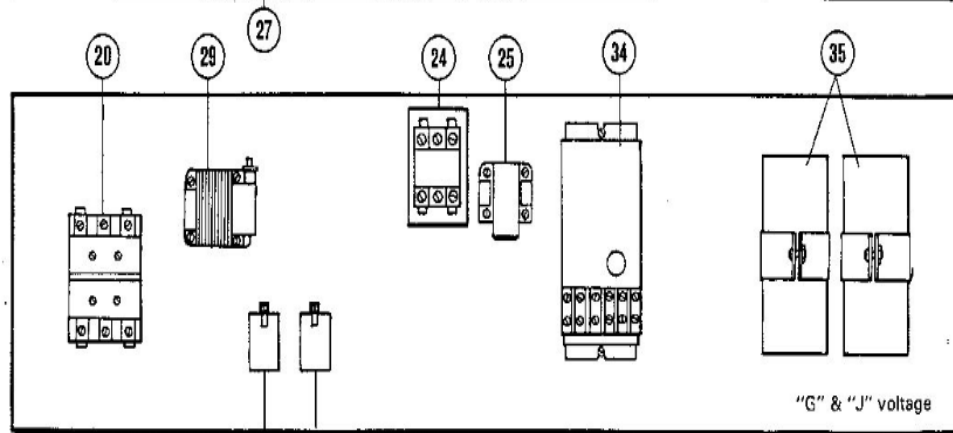
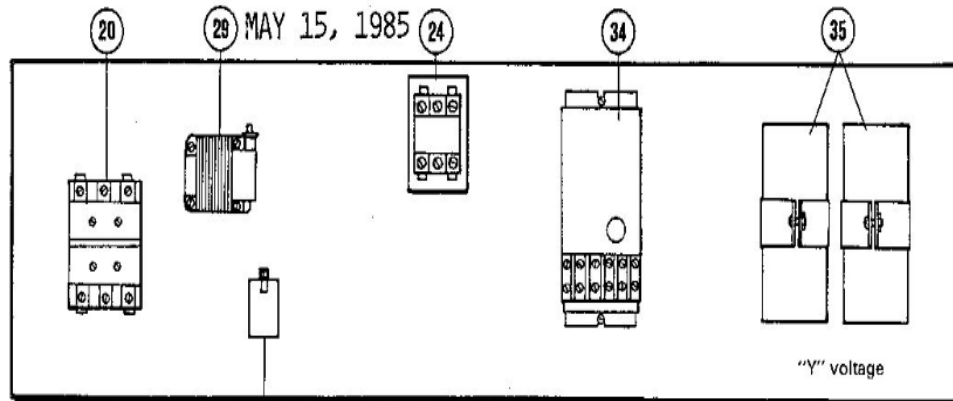


# CHA8-953,1353,1853,2753 SERIES BELT DRIVE BLOWER

MAY 15, 1985



CHA8-953,1353 SERIES CONTROL PANEL PARTS



Revision Number - 5

## BLOWER PARTS

Callout	Name	Quantity	Description
	PLATE-CUTOFF Cat #: 52A63 Model/Part #: LB-0253	2	CUT-OFF PLATE REP. PT.
60	WHEEL-BLOWER Cat #: 21621 Model/Part #: P-5-174	2	"1" BORE,12" X 6"
61	SHAFT-BLOWER Cat #: 21630 Model/Part #: LB-0361	1	"1" DIA,37-3/4" LONG"
62	BEARING Cat #: 66027 Model/Part #: P-5-100	2	"1" BORE,BALL"
63	HOUSING-BLOWER Cat #: LB-41247D Model/Part #: LB-41247D	2	HOUSING-BLOWER
65	PULLEY-BLOWER Cat #: 59337 Model/Part #: P-8-6077	1	"1" BORE,7.93OD,"A" GROOVE"
65	PULLEY-BLOWER Cat #: 87116 Model/Part #: P-8-9659	1	"1" BORE,8.75"OD,ONE GROOVE (INTL ONLY
67	BELT Cat #: 32633 Model/Part #: P-8-2895	1	"56.8","B" SECTION(INTL ONLY)"
67	BELT Cat #: 21622 Model/Part #: P-8-6365	1	"57.3","A" SECTION"
68	MOTOR-BLOWER Cat #: 32692 Model/Part #: P-8-5682	1	"2HP,1725RPM,230-460/60/3"
68	MOTOR-BLOWER Cat #: 32735 Model/Part #: P-8-5686	1	"2HP,1725RPM,575/60/3"
69	PULLEY-MOTOR Cat #: 56933 Model/Part #: P-8-1491	1	"7/8" BORE,6"OD,"A" SECTION"
69	PULLEY-MOTOR Cat #: 56936 Model/Part #: P-8-1494	1	"7/8" BORE,5.35"OD,"B" SECTION"
69	PULLY ADJUSTABLE Cat #: P-8-9647 Model/Part #: P-8-9647	1	"24MM BORE,6.5"OD,"A" OR "B" SECTION(

**CABINET PARTS**

<b>Callout</b>	<b>Name</b>	<b>Quantity</b>	<b>Description</b>
	PANEL Cat #: 53977 Model/Part #: LB-41161B	2	ACCESS- COMPRESSOR
	MULLION Cat #: LB-41162 Model/Part #: LB-41162	1	DIVISION PANEL- REAR
	PANEL Cat #: 53980 Model/Part #: LB-41191D	2	ACCESS-BLOWER
	PANEL Cat #: 53981 Model/Part #: LB-41218C	1	CLOSURE
14	FRAME Cat #: 50149 Model/Part #: LB-41163B	1	DISCHARGE GRILLE
15	GRILLE-DISCHARGE Cat #: P-8-5869 Model/Part #: P-8-5869	1	GRILLE-DISCHARGE
73	PANEL Cat #: LB-41302C Model/Part #: LB-41302C	1	ACCESS-UPPER FRONT
74	PANEL Cat #: 50015 Model/Part #: LB-41197C	1	ACCESS-LOWER FRONT
79	PANEL Cat #: 53979 Model/Part #: LB-41175D	1	"ACCESS- FILTER,REAR"
80	PANEL-TOP Cat #: 53978 Model/Part #: LB-41172D	1	BLOWER
81	PANEL-TOP Cat #: 53982 Model/Part #: LB-41270C	1	OUTLET
83	MULLION Cat #: LB-41190C Model/Part #: LB-41190C	1	DIVISION PANEL- FRONT
84	MULLION Cat #: LB-41295C Model/Part #: LB-41295C	1	BLOWER DECK- FRONT
85	MULLION Cat #: LB-41169C Model/Part #: LB-41169C	1	BLOWER DECK- REAR
86	POST-CORNER Cat #: 50216 Model/Part #: LB-41304D	1	OUTLET END- FRONT

<b>Callout</b>	<b>Name</b>	<b>Quantity</b>	<b>Description</b>
87	POST-CORNER Cat #: LB-41178D Model/Part #: LB-41178D	1	OUTLET END-REAR
89	POST CORNER Cat #: LB-41159C Model/Part #: LB-41159C	1	OD COIL END-REAR
90	MULLION Cat #: LB-41188C Model/Part #: LB-41188C	1	OD COIL END-FRONT
91	COVER-CONTROL BOX Cat #: 50280 Model/Part #: LB-10842C	1	COVER-CONTROL BOX
91	COVER-CONTROL BOX Cat #: LB-41205C Model/Part #: LB-41205C	1	(INTL ONLY)
92	PANEL Cat #: 50215 Model/Part #: LB-41221D	1	TOP PIECE-OUTLET END
94	PANEL Cat #: 50214 Model/Part #: LB-41215C	1	BOTTOM PIECE-OUTLET END

## CONTROL PANEL PARTS

<b>Callout</b>	<b>Name</b>	<b>Quantity</b>	<b>Description</b>
	FUSE Cat #: 66247 Model/Part #: P-8-1674	1	"TYPE C,2.5AMP,250V"
	HEATER-RELAY Cat #: 87117 Model/Part #: P-8-9765	3	(USE W/2HP MOTOR-INTL ONLY)
	HEATER-RELAY Cat #: 61762 Model/Part #: P-8-9766	3	(USE W/3HP MOTOR-INTL ONLY)
20	CONTACTOR Cat #: 68654 Model/Part #: P-8-7718	1	"3PDT,220V"
24	CONTACTOR Cat #: 38393 Model/Part #: P-8-7736	1	"ID BLOWER-3PDT,24V"
25	CONTACTOR Cat #: 58312 Model/Part #: P-8-3519	1	"OD FAN-DPST,220V(440/480V & 550/600V UN
27	RELAY Cat #: 59510 Model/Part #: P-8-5387	1	"CONTROL-SPST,N.O.,24V"

Callout	Name	Quantity	Description
29	TRANSFORMER Cat #: 66571 Model/Part #: P-8-649	1	"230V PRI,24V SEC,50VA W/FUSE"
34	CONTROL-TIMED OFF Cat #: 37714 Model/Part #: BM-4888	1	KIT
40	RELAY Cat #: 59510 Model/Part #: P-8-5387	1	"CONTROL- SPST,N.O.,24V"
44	OVERLOAD-RELAY Cat #: 38714 Model/Part #: P-8-9769	3	(INTL ONLY)

## COOLING PARTS

Callout	Name	Quantity	Description
	RELAY-OVERLOAD Cat #: 68295 Model/Part #: B735002P	3	OVERLOAD
	RELAY-OVERLOAD Cat #: 68638 Model/Part #: B735012P	3	OVERLOAD
	RELAY-OVERLOAD Cat #: 38129 Model/Part #: B735187P	3	OVERLOAD
	HEATER-CRANKCASE Cat #: 69260 Model/Part #: B735240	1	COMPRESSOR
	COIL-HOT WATER Cat #: BM-6144 Model/Part #: BM-6144	1	(EHW8-95-1)
	PAN-DRAIN Cat #: 64C99 Model/Part #: LB-41272B	1	PAN - DRAIN
	GASKET Cat #: 66280 Model/Part #: P-8-1584	1	DISCHARGE VALVE
	DISTRIBUTOR Cat #: 57953 Model/Part #: P-8-1949	1	L/TUBES
	BELLOWS Cat #: P-8-2621 Model/Part #: P-8-2621	1	HI PRESSURE
	BELLOWS Cat #: P-8-2622 Model/Part #: P-8-2622	1	LO PRESSURE

Callout	Name	Quantity	Description
	GASKET Cat #: 58303 Model/Part #: P-8-3482	1	GASKET-TEFLON (FOR 1-3/4" ROTALOCK)
	SHIELD-RAIN Cat #: 32621 Model/Part #: P-8-6142	2	SHIELD, MOTOR
	ADAPTER Cat #: 82A02 Model/Part #: P-8-9293	1	"1-1/8" ""
1	VALVE-SERVICE Cat #: 38248 Model/Part #: P-8-7870	1	"DISCHARGE, 7/8" ""
3	COIL-OUTDOOR Cat #: 69079 Model/Part #: 8-6-7669B	1	W/MANIFOLD(1 PIECE COIL)
4	DRIER Cat #: 87327 Model/Part #: P-8-10808	1	DRIER, R22 ONLY
5	SWITCH-PRESS Cat #: 59244 Model/Part #: P-8-5072	1	"DUAL-LO-IN 55PSIG, OUT 25PSIG, HI-OUT 41
8	VALVE-SERVICE Cat #: 38111 Model/Part #: P-8-7866	1	"LIQUID, 5/8" ""
10	FAN Cat #: 59261 Model/Part #: P-8-4478	2	"1/2" "" BORE, 22" "" DIA, 4 BLADES"
11	MOTOR-FAN Cat #: 59835 Model/Part #: P-8-5770	2	"1/2HP, 1050RPM, 230/60/1"
12	MOUNT-MOTOR Cat #: 61134 Model/Part #: LB-0335DB	6	FRAME
16	COIL-INDOOR Cat #: 69080 Model/Part #: 8-6-7670B	1	W/MANIFOLD(1 PIECE COIL)
17	VALVE-EXPANSION Cat #: 38308 Model/Part #: P-8-8355	1	VALVE-EXPANSION
18	ELEMENT-THERMO Cat #: 38411 Model/Part #: P-8-8727	1	KIT
54	MOUNT PKG-COMP Cat #: 69214 Model/Part #: PR-312	1	MOUNT PKG-COMP
56	COMPRESSOR Cat #: 12L31 Model/Part #: L2C09724F	1	"8TON, 440-480/60/3, LENNOX"
56	COMPRESSOR	1	"8TON, 550-

Callout	Name	Quantity	Description
	Cat #: L2C09724H Model/Part #: L2C09724H		600/60/3,LENNOX"
56	COMPRESSOR Cat #: L2C09724L Model/Part #: L2C09724L	1	"8TON,208-240/60/3,LENNOX"
59	TRANSFORMER Cat #: 31822 Model/Part #: P-8-1460	1	"240/480V PRI,120/240V SEC, 1500VA L/FUS
59	TRANSFORMER Cat #: 31566 Model/Part #: P-8-1461	1	"600V PRI,120/240V SEC,1500VA L/FUSE"
59	TRANSFORMER Cat #: 38727 Model/Part #: P-8-9918	1	"380/400/416V PRI,215V SEC, 1500VA L/FUS
70	FILTER Cat #: 30335 Model/Part #: P-8-7822	2	"16"" X 25"" X 1"",WASHABLE"
70	FILTER Cat #: 59436 Model/Part #: P-8-7831	1	"20"" X 25"" X 1"",WASHABLE"

## DRIVE KITS

Callout	Name	Quantity	Description
67	BELT Cat #: 32549 Model/Part #: P-8-5112	1	"55.3"" ,""A""SECTION"
68	MOTOR-BLOWER Cat #: 32646 Model/Part #: P-8-5693	1	"3HP,1725RPM,230-460/60/3"
68	MOTOR-BLOWER Cat #: 32643 Model/Part #: P-8-5696	1	"3HP,1725RPM,575/60/3"
69	PULLEY-MOTOR Cat #: 56967 Model/Part #: P-8-2237	1	"1-1/8""BORE,6""OD, ""A""OR""B""SECTION"
69	PULLEY-MOTOR Cat #: P-8-9650 Model/Part #: P-8-9650	1	"28MM BORE,7.5""OD, ""A""OR""B""SECTION(

## PARTS FOR FIRST REVISION BLOWER FRAME

<b>Callout</b>	<b>Name</b>	<b>Quantity</b>	<b>Description</b>
	MOUNT-BLOWER Cat #: 87301 Model/Part #: PR-355	1	VIBRO INSULATOR(FOOTNOTE 3)
43	SUPPORT Cat #: 52A66 Model/Part #: LB-41238B	2	SPRING SUPPORT
48	FRAME ASSY Cat #: 50293 Model/Part #: LB-44473BA	1	BEARING(FOOTNOTE 2)
49	MOUNT-MOTOR Cat #: LB-41193C Model/Part #: LB-41193C	1	BASE FRAME(INTL ONLY)
49	MOUNT-MOTOR Cat #: 53639 Model/Part #: LB-41244C	1	BASE FRAME
50	ROD-HINGE Cat #: 87135 Model/Part #: LB-41297D	1	ROD-HINGE
51	BRACKET Cat #: 50298 Model/Part #: LB-80553C	1	ADJ

**Note:**

Note1: BLOWER FRAME CHANGE BETWEEN FIRST AND SECOND REVISION OCCURRED WITHIN -6 PRODUCTION. FIRST REVISION BLOWER FRAME USED ON UNITS WITH SERIAL NO. 75J03001 OR LOWER. SECOND REVISION BLOWER FRAME USED ON UNITS WITH SERIAL NO. 75J03002 OR HIGHER. Note2: IF THIS PART IS ORDERED, YOU MUST ALSO ORDER PR-355. Note3: SPRINGS MUST BE REPLACED WITH VIBRO INSULATOR.