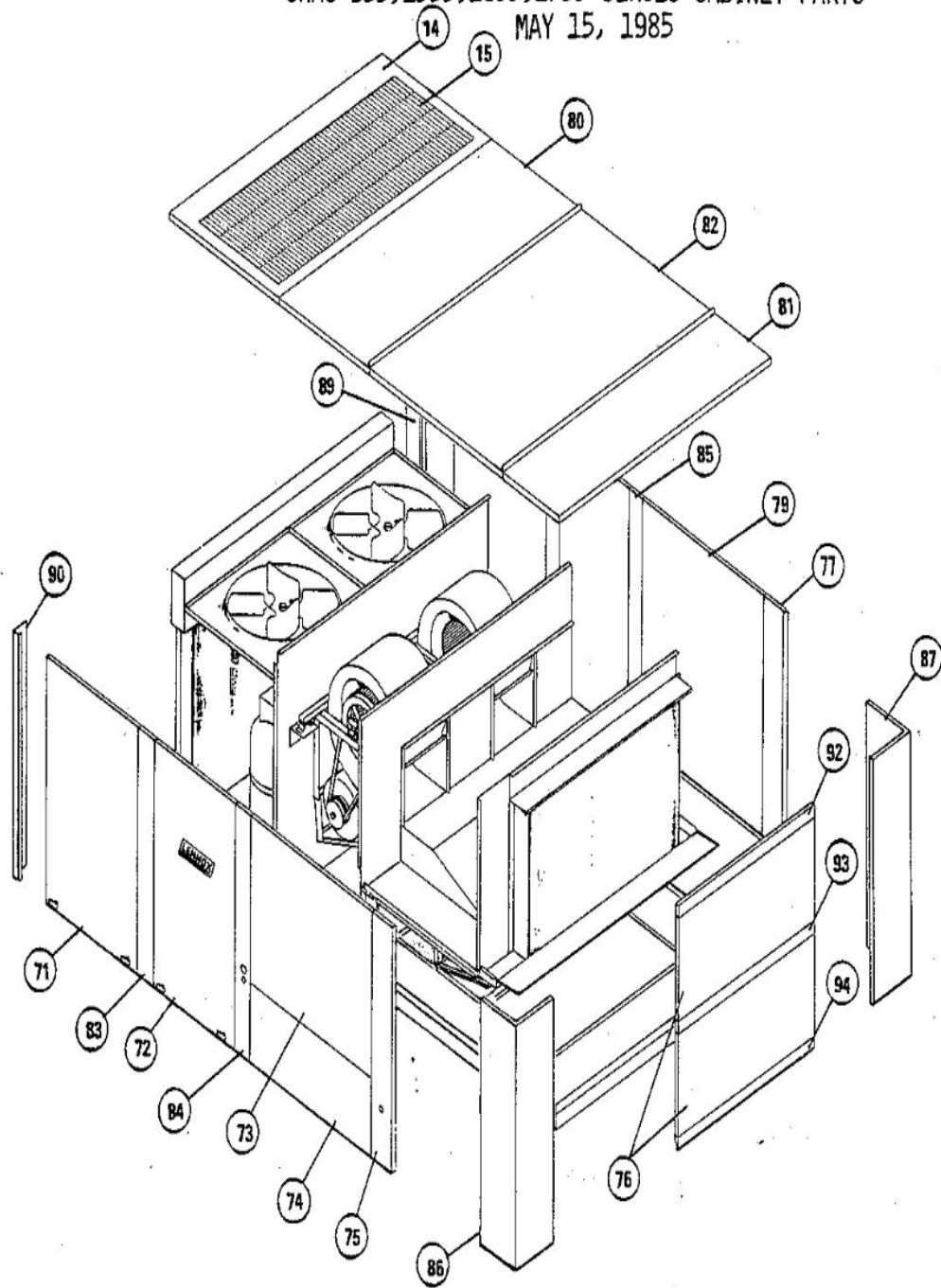
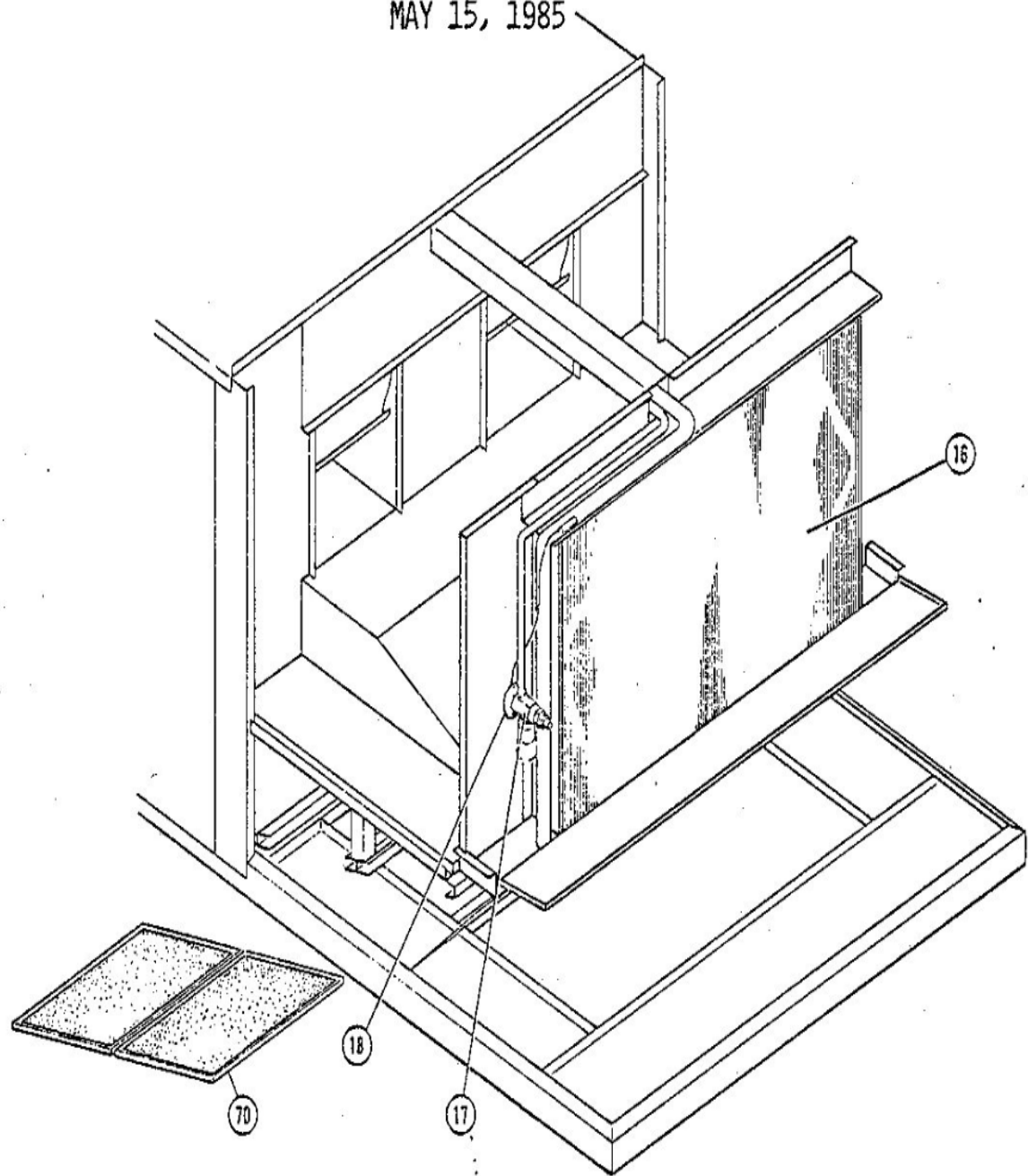


CHA8-953,1353,1853,2753 SERIES CABINET PARTS
MAY 15, 1985

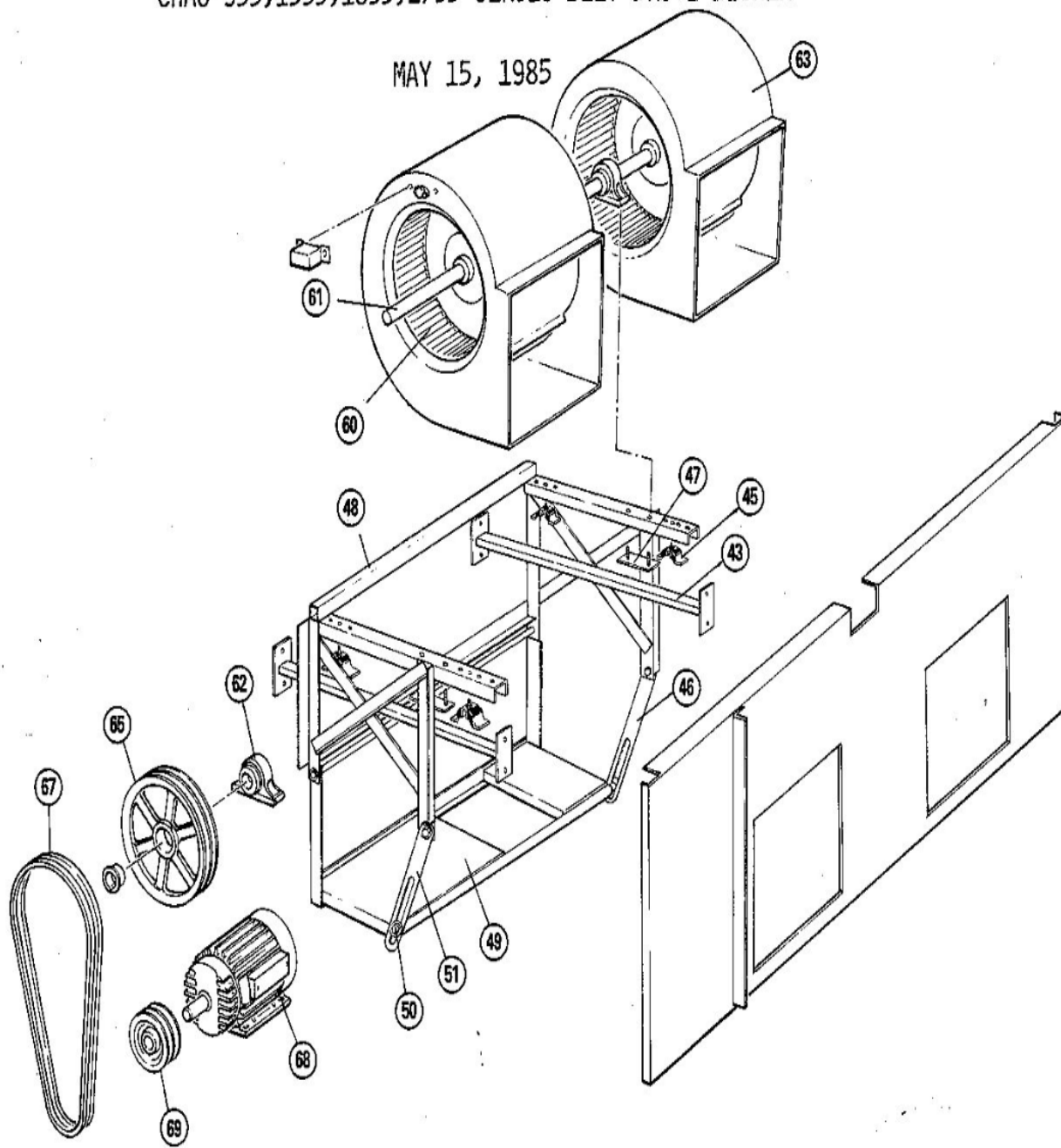


CHA8-953,1353,1853,2753 SERIES COOLING PARTS
MAY 15, 1985

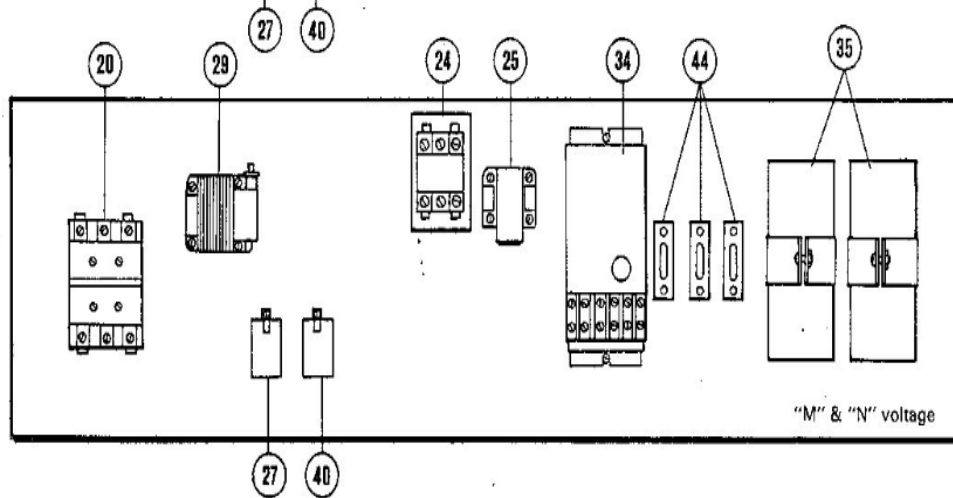
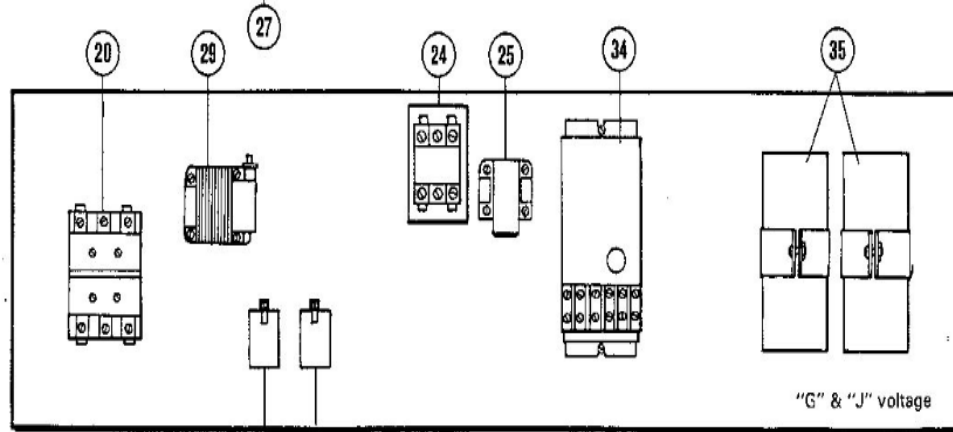
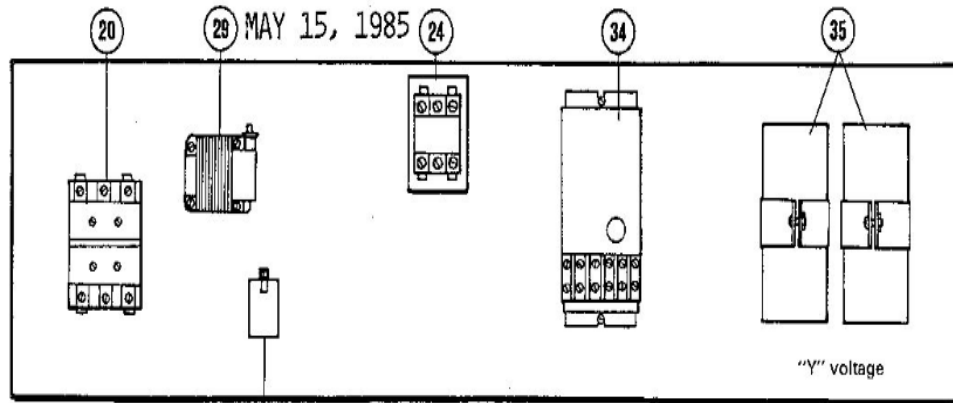


CHA8-953,1353,1853,2753 SERIES BELT DRIVE BLOWER

MAY 15, 1985



CHA8-953,1353 SERIES CONTROL PANEL PARTS



Revision Number - 1

BLOWER PARTS

Callout	Name	Quantity	Description
	PLATE-CUTOFF Cat #: 52A63 Model/Part #: LB-0253	2	CUT-OFF PLATE REP. PT.
60	WHEEL-BLOWER Cat #: 21621 Model/Part #: P-5-174	2	"1" BORE,12" X 6"
61	SHAFT-BLOWER Cat #: 21630 Model/Part #: LB-0361	1	"1" DIA,37-3/4" LONG
62	BEARING Cat #: 66027 Model/Part #: P-5-100	2	"1" BORE,BALL
63	HOUSING-BLOWER Cat #: 16604 Model/Part #: LB-0252	2	GCS3-953 BLO.ASSY. R
65	PULLEY-BLOWER Cat #: 59337 Model/Part #: P-8-6077	1	"1" BORE,7.93OD,"A" GROOVE
67	BELT Cat #: 32549 Model/Part #: P-8-5112	1	"55.3" ,"A" SECTION
68	MOTOR-BLOWER Cat #: P-8-4772 Model/Part #: P-8-4772	1	"2HP,1750RPM,208-220-440/60/3"
68	MOTOR-BLOWER Cat #: P-8-5146 Model/Part #: P-8-5146	1	"2HP,550/60/3"
69	PULLEY-MOTOR Cat #: 56933 Model/Part #: P-8-1491	1	"7/8" BORE,6"OD,"A" SECTION
69	PULLEY-MOTOR Cat #: 56936 Model/Part #: P-8-1494	1	"7/8" BORE,5.35"OD,"B" SECTION

CONTROL PANEL PARTS

Callout	Name	Quantity	Description
	FUSE Cat #: 66247 Model/Part #: P-8-1674	2	"TYPE C,2.5AMP,250V"

Callout	Name	Quantity	Description
	HEATER-RELAY Cat #: P-8-2753 Model/Part #: P-8-2753	2	550/600V
	HEATER-RELAY Cat #: 59778 Model/Part #: P-8-3773	2	440/480V
	HEATER-RELAY Cat #: 59170 Model/Part #: P-8-3861	2	208/240V
20	CONTACTOR Cat #: 68654 Model/Part #: P-8-7718	1	"3PDT,220V"
24	CONTACTOR Cat #: 38393 Model/Part #: P-8-7736	1	"ID BLOWER- 3PDT,24V"
25	CONTACTOR Cat #: 58312 Model/Part #: P-8-3519	1	"OD FAN- DPST,220V(440/480V & 550/600V UN
27	RELAY Cat #: 59510 Model/Part #: P-8-5387	1	"CONTROL- SPST,N.O.,24V"
29	TRANSFORMER Cat #: 66571 Model/Part #: P-8-649	2	"230V PRI,24V SEC,50VA W/FUSE"
34	CONTROL-TIMED OFF Cat #: 37714 Model/Part #: BM-4888	1	KIT
44	RELAY-OVERLOAD Cat #: 67127 Model/Part #: P-8-2644	2	RELAY-OVERLOAD

COOLING PARTS

Callout	Name	Quantity	Description
	RELAY-OVERLOAD Cat #: 68295 Model/Part #: B735002P	3	OVERLOAD
	RELAY-OVERLOAD Cat #: 68638 Model/Part #: B735012P	3	OVERLOAD
	RELAY-OVERLOAD Cat #: 38129 Model/Part #: B735187P	3	OVERLOAD
	HEATER-CRANKCASE Cat #: 69260 Model/Part #: B735240	1	COMPRESSOR

Callout	Name	Quantity	Description
	COIL-HOT WATER Cat #: BM-6144 Model/Part #: BM-6144	1	(EHW8-95-1)
	PAN-DRAIN Cat #: LB-10865 Model/Part #: LB-10865	1	PAN-DRAIN
	GASKET Cat #: 66280 Model/Part #: P-8-1584	1	DISCHARGE VALVE
	DISTRIBUTOR Cat #: 57953 Model/Part #: P-8-1949	1	L/TUBES
	BELLOWS Cat #: P-8-2621 Model/Part #: P-8-2621	1	HI PRESSURE
	BELLOWS Cat #: P-8-2622 Model/Part #: P-8-2622	1	LO PRESSURE
	GASKET Cat #: 58303 Model/Part #: P-8-3482	1	GASKET-TEFLON (FOR 1-3/4" ROTALOCK)
1	VALVE-SERVICE Cat #: 38248 Model/Part #: P-8-7870	1	"DISCHARGE,7/8""
2	VALVE-SERVICE Cat #: P-8-5152 Model/Part #: P-8-5152	1	"SUCTION,1-1/8""
3	COIL-OUTDOOR Cat #: 69079 Model/Part #: 8-6-7669B	1	W/MANIFOLD(1 PIECE COIL)
4	DRIER Cat #: 87327 Model/Part #: P-8-10808	1	DRIER, R22 ONLY
5	SWITCH-PRESS Cat #: 59244 Model/Part #: P-8-5072	1	"DUAL-LO-IN 55PSIG,OUT 25PSIG, HI-OUT 41
8	VALVE-SERVICE Cat #: 38111 Model/Part #: P-8-7866	1	"LIQUID,5/8""
10	FAN Cat #: 59261 Model/Part #: P-8-4478	2	"1/2"" BORE,22""DIA,4 BLADES"
11	MOTOR-FAN Cat #: 59835 Model/Part #: P-8-5770	2	"1/2HP,1050RPM,230/60/1"
12	MOUNT-MOTOR	6	FRAME

Callout	Name	Quantity	Description
	Cat #: 61134 Model/Part #: LB-0335DB		
16	COIL-INDOOR Cat #: 69080 Model/Part #: 8-6-7670B	1	W/MANIFOLD(1 PIECE COIL)
17	VALVE-EXPANSION Cat #: 38308 Model/Part #: P-8-8355	1	VALVE-EXPANSION
18	ELEMENT-THERMO Cat #: 38411 Model/Part #: P-8-8727	1	KIT
54	MOUNT PKG-COMP Cat #: 69214 Model/Part #: PR-312	1	MOUNT PKG-COMP
56	COMPRESSOR Cat #: 12L31 Model/Part #: L2C09724F	1	"8TON,440-480/60/3,LENNOX"
56	COMPRESSOR Cat #: L2C09724H Model/Part #: L2C09724H	1	"8TON,550-600/60/3,LENNOX"
56	COMPRESSOR Cat #: L2C09724L Model/Part #: L2C09724L	1	"8TON,208-240/60/3,LENNOX"
59	TRANSFORMER Cat #: 31822 Model/Part #: P-8-1460	1	"240/480V PRI,120/240V SEC, 1500VA L/FUS
59	TRANSFORMER Cat #: 31566 Model/Part #: P-8-1461	1	"600V PRI,120/240V SEC,1500VA L/FUSE"
70	FILTER Cat #: 30335 Model/Part #: P-8-7822	2	"16"" X 25"" X 1"" ,WASHABLE"
70	FILTER Cat #: 59436 Model/Part #: P-8-7831	1	"20"" X 25"" X 1"" ,WASHABLE"

PARTS FOR ORIGINAL BLOWER FRAME

Callout	Name	Quantity	Description
	MOUNT-BLOWER Cat #: 58928 Model/Part #: P-5-161	2	"VIBRO INSUL-FRONT,1-3/4"""
	MOUNT-BLOWER Cat #: 53312 Model/Part #: P-5-167	2	"VIBRO INSUL-REAR,1-1/4"""

Callout	Name	Quantity	Description
49	BASE-MOTOR Cat #: 21794 Model/Part #: LB-10852	1	BASE FRAME
50	ROD-HINGE Cat #: 86758 Model/Part #: LB-0185	2	ROD-HINGE
51	BRACKET Cat #: 50298 Model/Part #: LB-80553C	2	BRKT-ADJ MTR

Note:

Note1: BLOWER FRAME CHANGE BETWEEN FIRST AND SECOND REVISION OCCURRED WITHIN -6 PRODUCTION. FIRST REVISION BLOWER FRAME USED ON UNITS WITH SERIAL NO.

75J03001 OR LOWER. SECOND REVISION BLOWER FRAME USED ON UNITS WITH SERIAL NO.

75J03002 OR HIGHER. Note2: IF THIS PART IS ORDERED, YOU MUST ALSO ORDER PR-355.

Note3: SPRINGS MUST BE REPLACED WITH VIBRO INSULATOR.