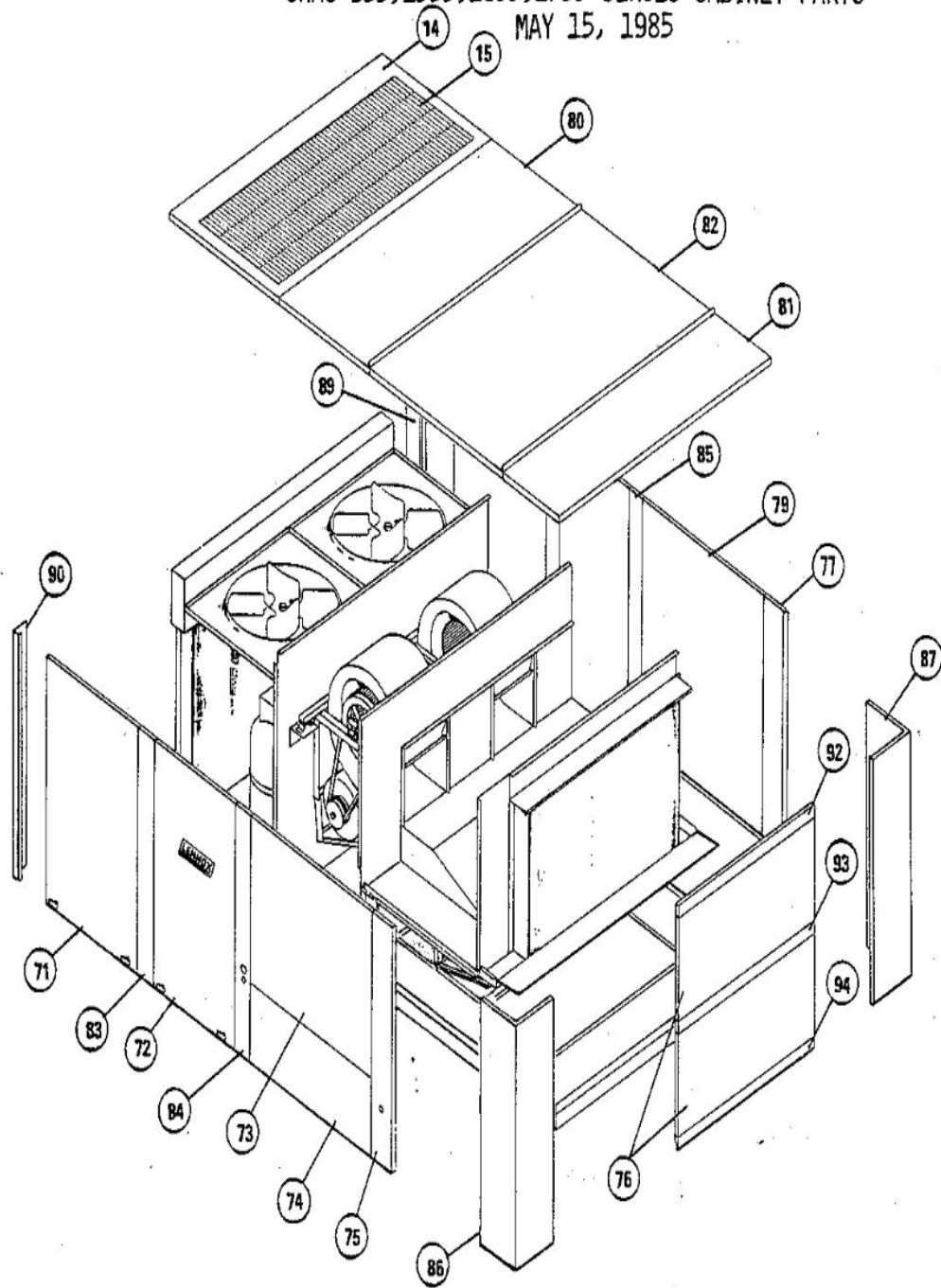
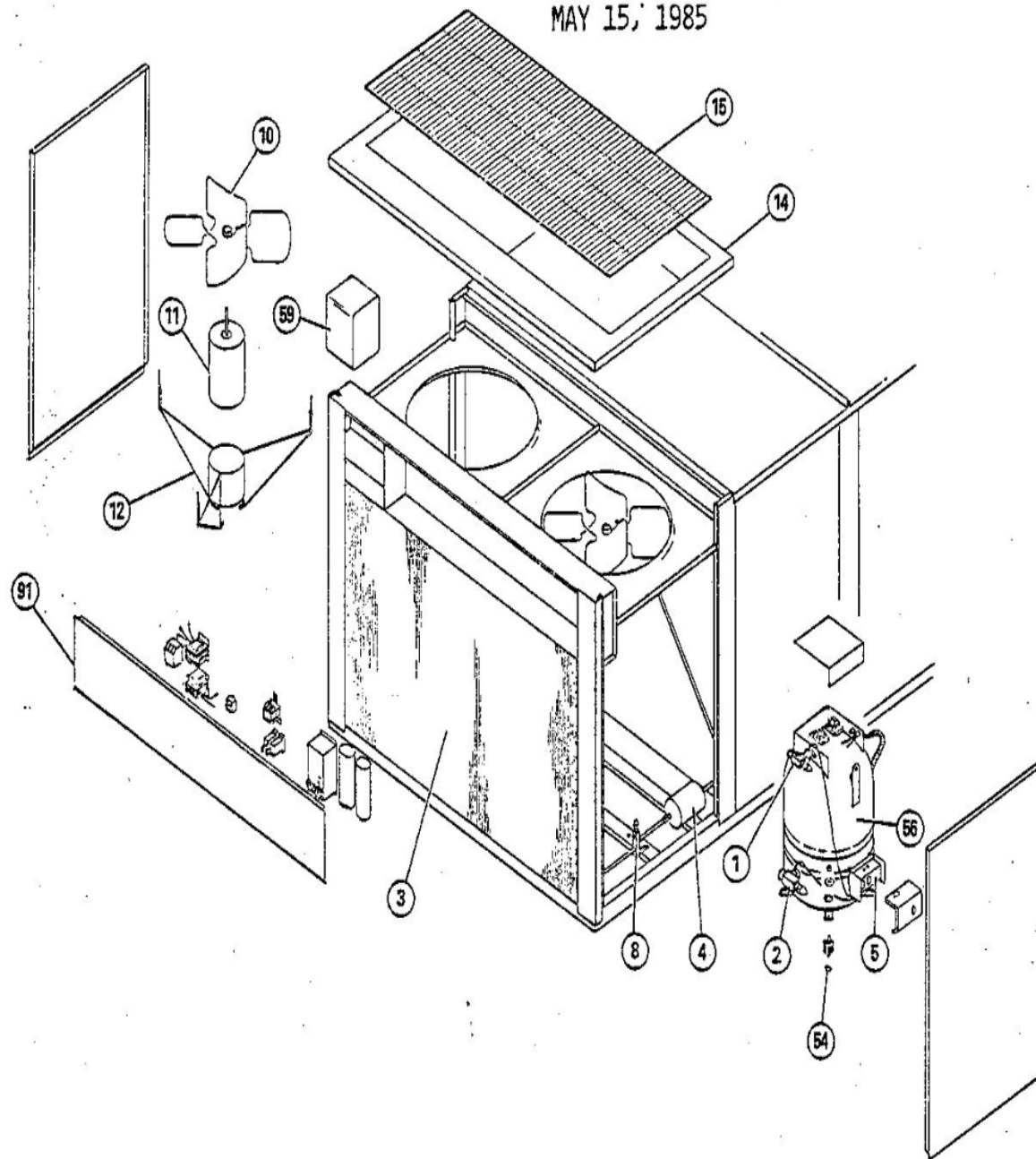


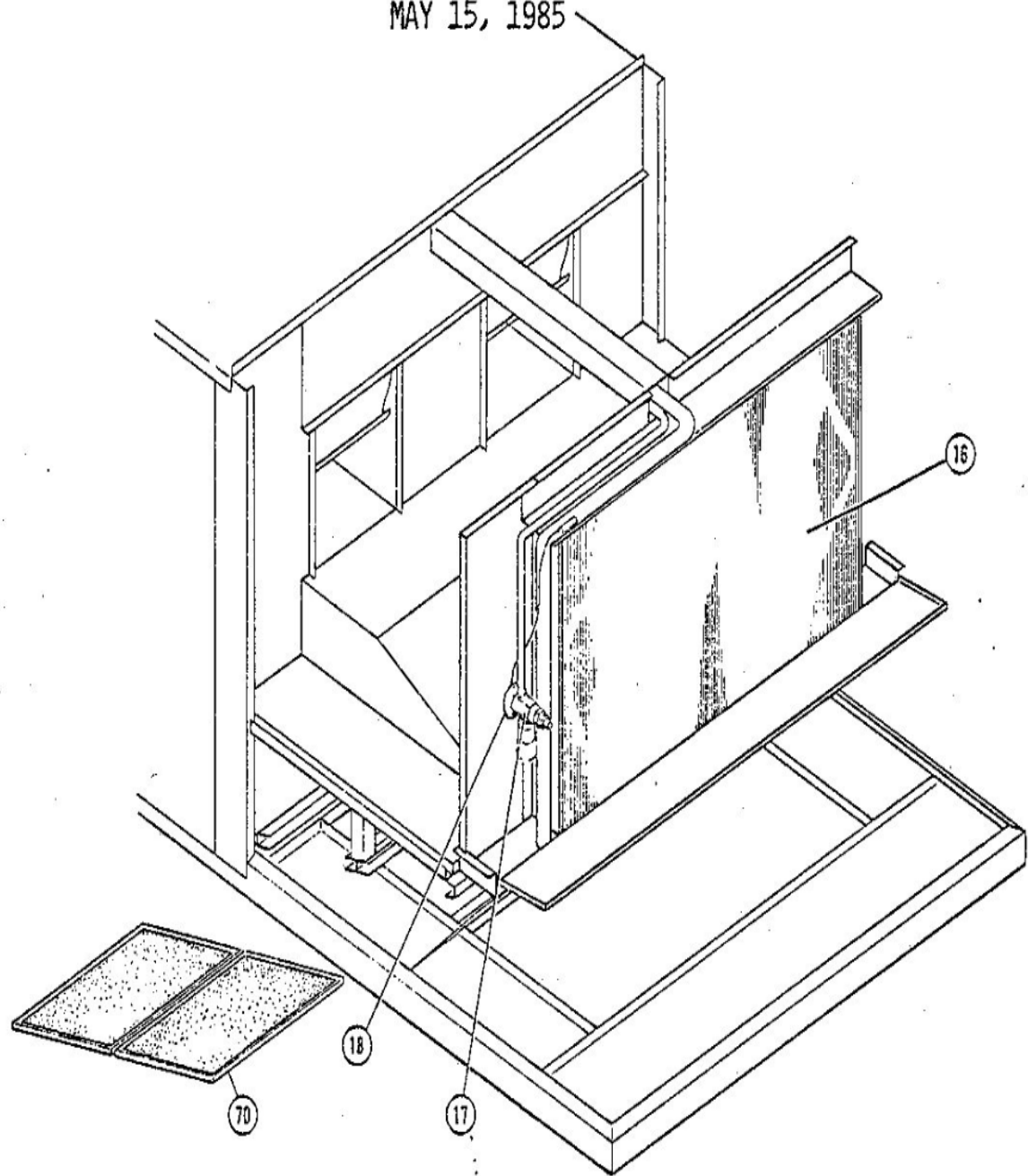
CHA8-953, 1353, 1853, 2753 SERIES CABINET PARTS
MAY 15, 1985



CHA8-953,1353,1853,2753 SERIES COOLING PARTS
MAY 15, 1985

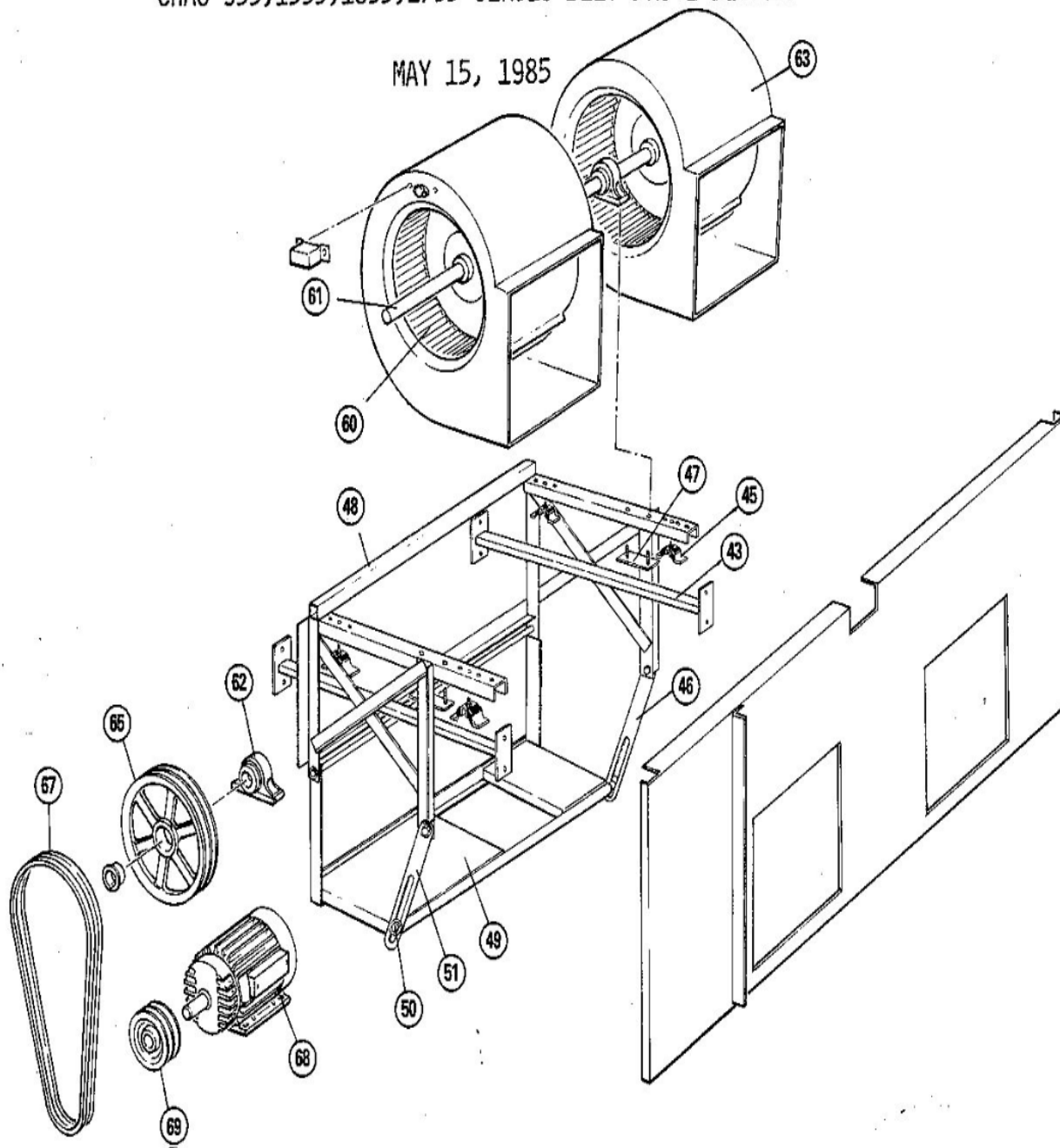


CHA8-953,1353,1853,2753 SERIES COOLING PARTS
MAY 15, 1985

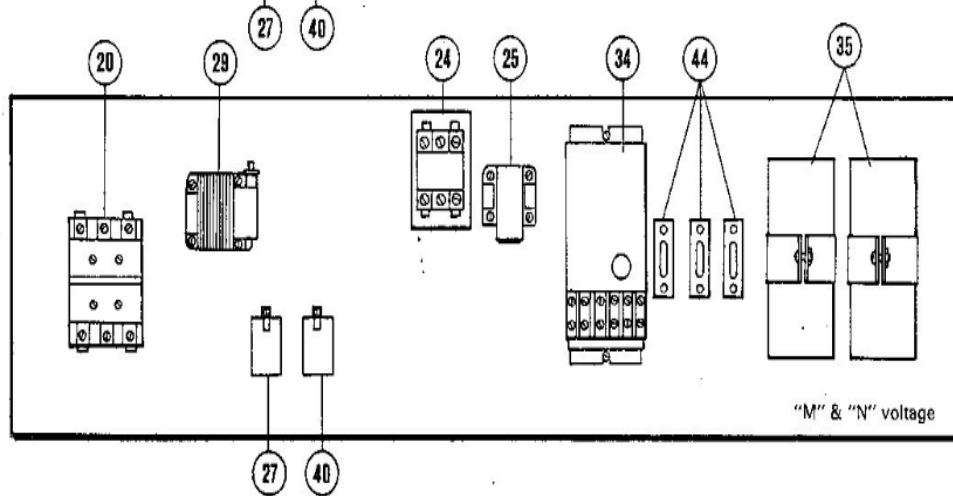
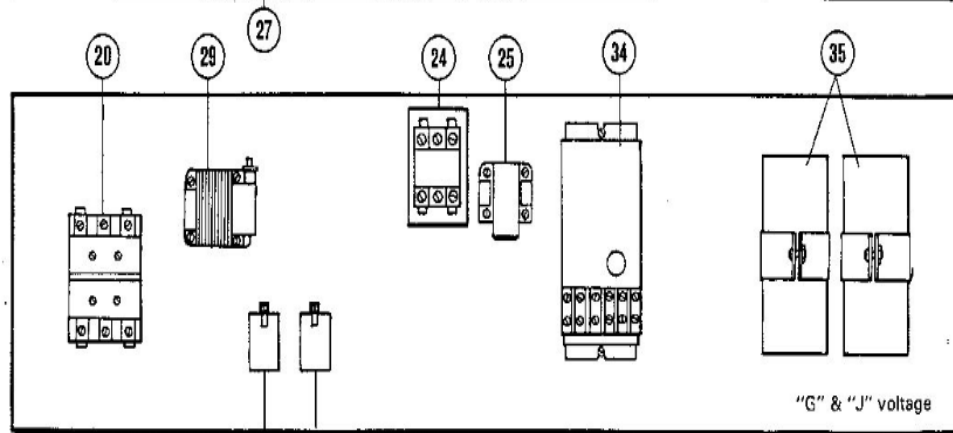
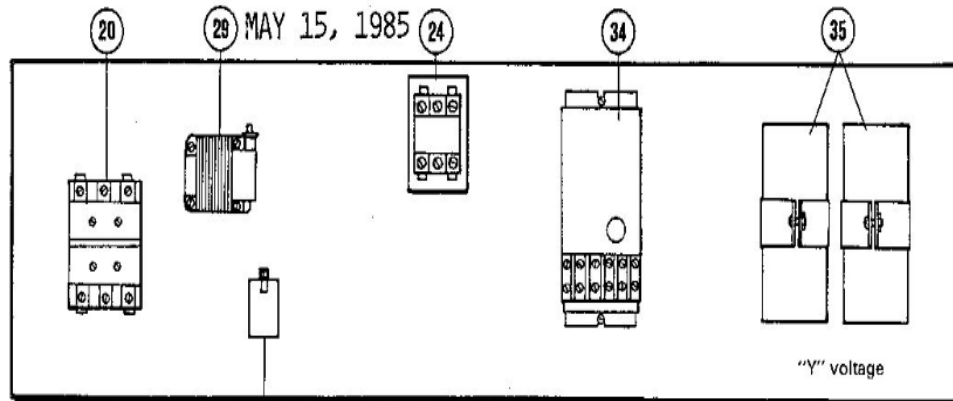


CHA8-953,1353,1853,2753 SERIES BELT DRIVE BLOWER

MAY 15, 1985



CHA8-953,1353 SERIES CONTROL PANEL PARTS



Callout	Name	Quantity	Description
	Cat #: 49L25 Model/Part #: 49L2501		
20	SEAL-COIL Cat #: LB-88054 Model/Part #: LB-88054	1	REAR
21	SEAL-COIL Cat #: 40W93 Model/Part #: 600582-01	1	FRONT-TOP
22	SEAL-COIL Cat #: 40W94 Model/Part #: 600583-01	1	FRONT-BOTTOM
23	SEAL-COIL Cat #: 77M49 Model/Part #: LB-88438	1	TOP

Note:

Note1: ICM2 ELECTRONIC MODULE IS AVAILABLE AS A SEPERATE REPAIR PART, LB-90745J.

Note2: DISTRIBUTOR ASSEMBLIES ARE NOT SET UP AS A REPAIR PART. IF COIL HAS MULTIPLY LEAKS IN THE DISTRIBUTOR ASSEMBLY, THE COIL SHOULD BE REPLACED.