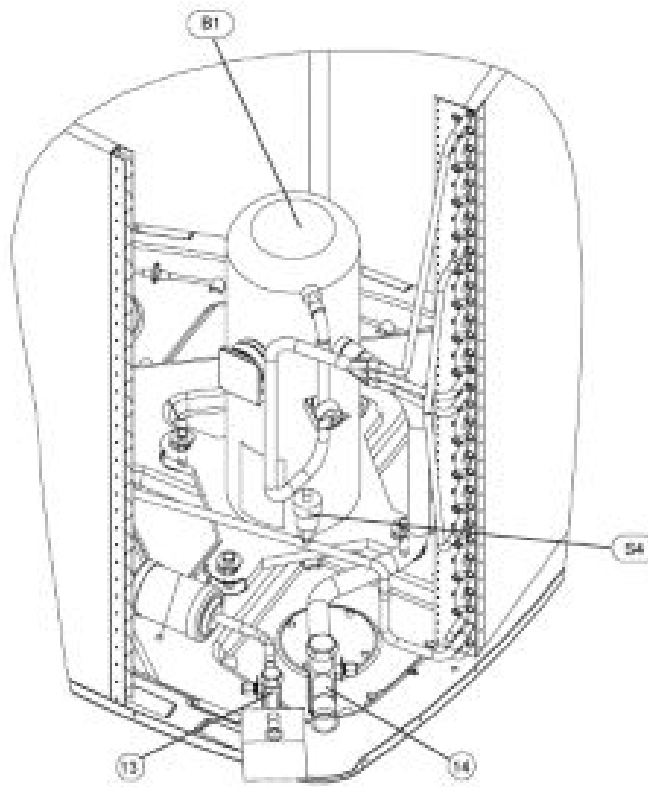




COOLING-CONDENSING  
JANUARY, 2007

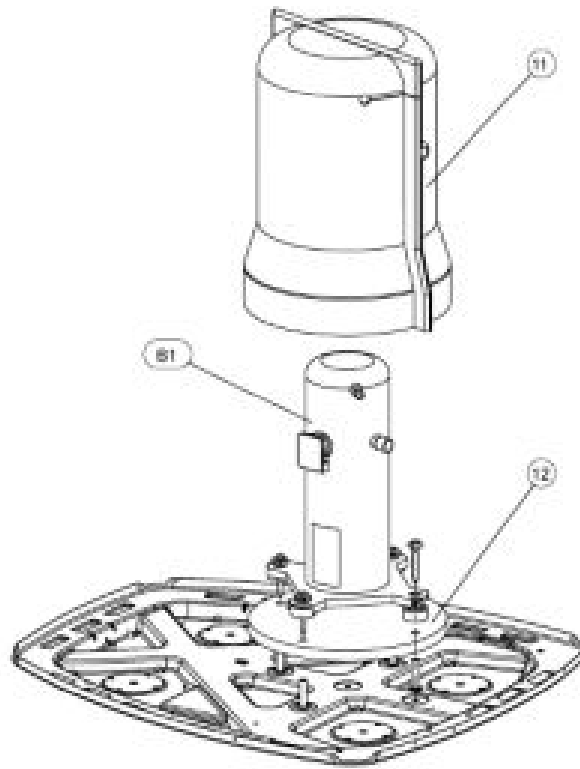
## XC14 SERIES

XC14-000 SHOWN (OTHERS SIMILAR)



COOLING-CONDENSING  
JANUARY, 2007

**XC14 SERIES SOUND COVER**



Revision Number - 03

## \*OPTIONAL PARTS-FIELD INSTALLED

Callout	Name	Quantity	Description
	SWITCH-PRESS Cat #: 84M96 Model/Part #: 100216-01	1	"LOSS OF CHARGE, OUT 25 PSIG, IN 55 PSI
	TEE Cat #: LB-53109D Model/Part #: LB-53109D	1	DEPRESSOR TEE
A	RELAY-POTENTIAL Cat #: 58327 Model/Part #: P-8-3577	1	SPNC
B	CAPACITOR-START Cat #: 63A06 Model/Part #: 63A0601	1	"176-216 MFD, 320 VAC"
LC KIT	LOSS OF CHARGE KIT Cat #: 84M23 Model/Part #: LB-110135A	1	INCL NEXT 2 PARTS
ST KIT	START KIT Cat #: 88M91 Model/Part #: LB-31200BAR	1	INCL NEXT 2 PARTS

## CABINET PARTS

Callout	Name	Quantity	Description
	NUT-CAP Cat #: 85M56 Model/Part #: 100094-01	4	MOTOR
	LEG Cat #: 29W57 Model/Part #: 101262-01	4	BASE
	PANEL Cat #: 85M97 Model/Part #: LB-107754-36	1	4 LOUVER
	PANEL-FRONT Cat #: 86M02 Model/Part #: LB-107755-36	1	5 LOUVER
	PANEL Cat #: 86M07 Model/Part #: LB-107756-36	1	6 LOUVER
	PANEL Cat #: 86M17 Model/Part #: LB-107758-36	1	8 LOUVER
	COVER	1	PATCH PLATE

Callout	Name	Quantity	Description
	Cat #: 88M42 Model/Part #: LB-93297G		
1	PANEL-TOP Cat #: 97M71 Model/Part #: LB-107684	1	PANEL - TOP (MEDIUM)
2	GRILLE-DISCHARGE Cat #: 97M69 Model/Part #: 100062-02	1	GRILLE (DISCHARGE)
3	COVER-CONTROL BOX Cat #: 97M72 Model/Part #: LB-108273	1	COVER-CONTROL BOX (MEDIUM)
4	CORNER POST Cat #: 85M77 Model/Part #: LB-107737-36	2	FRONT
5	CORNER POST Cat #: 85M82 Model/Part #: LB-107738-36	1	REAR

## CONTROL PANEL PARTS

Callout	Name	Quantity	Description
C12	CAPACITOR-FAN&RUN Cat #: 89M80 Model/Part #: 100335-12	1	45 / 5 MFD @ 440V ROUND
K1	CONTACTOR Cat #: 95M55 Model/Part #: 100438-01	1	"SPST,24V"

## COOLING PARTS

Callout	Name	Quantity	Description
	RELAY-OVERLOAD COMP-INTERNAL Cat #: Model/Part #:	1	
	CORE-VALVE Cat #: 95M48 Model/Part #: 100210-01	1	CORE - VALVE
	DRIER Cat #: 95M52 Model/Part #: 100214-03	1	LIQUID LINE (FOOTNOTE 1)
	KIT Cat #: 11W02 Model/Part #: 100484-22	1	RFC4 (.073)
	THERMOSTAT Cat #: 97M59 Model/Part #: 100503-02	1	"DISCHARGE, OPEN 220F, CLOSE 180F"

<b>Callout</b>	<b>Name</b>	<b>Quantity</b>	<b>Description</b>
	FITTING-PRESS TAP Cat #: 95M47 Model/Part #: 100520-01	1	FITTING - PRESSURE TAP (BRASS)
	HARNESS-COMPRESSOR Cat #: 15M35 Model/Part #: 15M3501	1	MOLDED PLUG
	MUFFLER Cat #: 37J50 Model/Part #: 37J5001	1	MUFFLER-COPPER-1/2"ID
	DRIER Cat #: 88K44 Model/Part #: 88K4401	1	SUCTION LINE (OPTIONAL)
	MOUNT PKG-COMP Cat #: 54M63 Model/Part #: LB-106528	1	MOUNT PKG-COMP
10	COIL-OUTDOOR Cat #: 36W86 Model/Part #: LB-110660X	1	W/MANIFOLD
11	COVER-SOUND Cat #: 27W55 Model/Part #: 101321-01	1	COVER - SOUND (SC9183)
12	BASE-SOUND COVER Cat #: 27W57 Model/Part #: 101333-01	1	PAD - COMPRESSOR BASE
13	VALVE-SERVICE Cat #: 10W32 Model/Part #: 100432-01	1	"LIQUID LINE, 3/8""
14	VALVE-SERVICE Cat #: 22W71 Model/Part #: 100432-03	1	"SUCTION LINE, 7/8""
15	ASSY-FAN 22IN-3 BLADE-28 PITCH Cat #: 27W58 Model/Part #: 100017-08	1	"1/2""BORE,22""DIA,3 BLADE"
B1	COMPRESSOR ZP29K5E-PFV Cat #: 99M89 Model/Part #: 100040-05	1	"2.5 TON,208-230/60/1,COPE (FOOTNOTE 1
B4	MOTOR-FAN Cat #: 98M36 Model/Part #: 100483-11	1	"1/6 HP, 825 RPM,208-230/60/1"
HR1	HEATER-CRANKCASE Cat #: 93M04 Model/Part #: 100499-01	1	"240V, 40 WATT(OPTIONAL)"
S4	SWITCH-HI PRESS-AUTO Cat #: 93W01 Model/Part #: 100087-12	1	SWITCH-HI PRESS-AUTO (AFTER 4/2/12)
S4A	SWITCH-HI PRESS-MANUAL Cat #: 42W41 Model/Part #: 100103-03	1	SWITCH-HI PRESS-MANUAL (PRE

Callout	Name	Quantity	Description
			4/2/12)

### INTERLINK ALTERNATE FOR COPELAND COMP.

Callout	Name	Quantity	Description
	CAPACITOR-FAN&RUN Cat #: 89M80 Model/Part #: 100335-12	1	45 / 5 MFD @ 440V ROUND
	COMPRESSOR APA032KAA Cat #: 43W86 Model/Part #: 101995-04	1	COMPRESSOR APA032KAA W/HARNESS
	HARNESS-COMP (REPAIR) Cat #: 44W62 Model/Part #: 102111-01	1	HARNESS -WIRE
	SWITCH-THERMAL Cat #: 75W43 Model/Part #: 103048-01	1	THERMAL SWITCH ASSEMBLY (REPAIR)
	COVER Cat #: 75W44 Model/Part #: 103048-02	1	THERMAL SWITCH COVER ASSEMBLY (REPAIR)
	CAPACITOR-START Cat #: 63A06 Model/Part #: 63A0601	1	"176-216 MFD, 320 VAC"
	RELAY-POTENTIAL Cat #: 58327 Model/Part #: P-8-3577	1	SPNC
ST KIT	START KIT Cat #: 88M91 Model/Part #: LB-31200BAR	1	INCL NEXT 2 PARTS

**Note:**

Note1: Compressor uses POE oil. The filter drier MUST BE replaced at time of compressor change. Please advise customer of this requirement at time of order. (The filter drier is excluded from the Lennox Quality Care Limited Warranty).