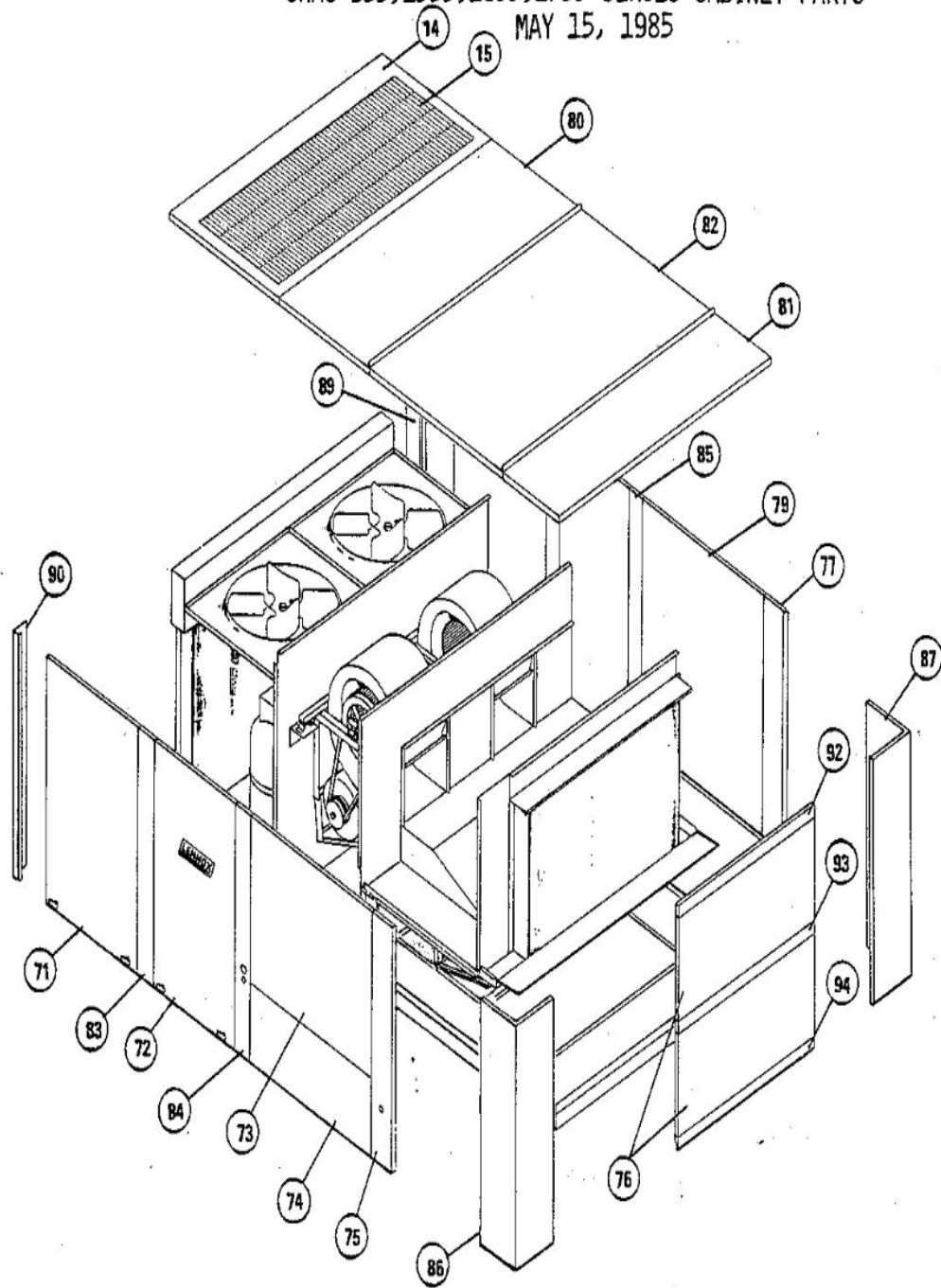
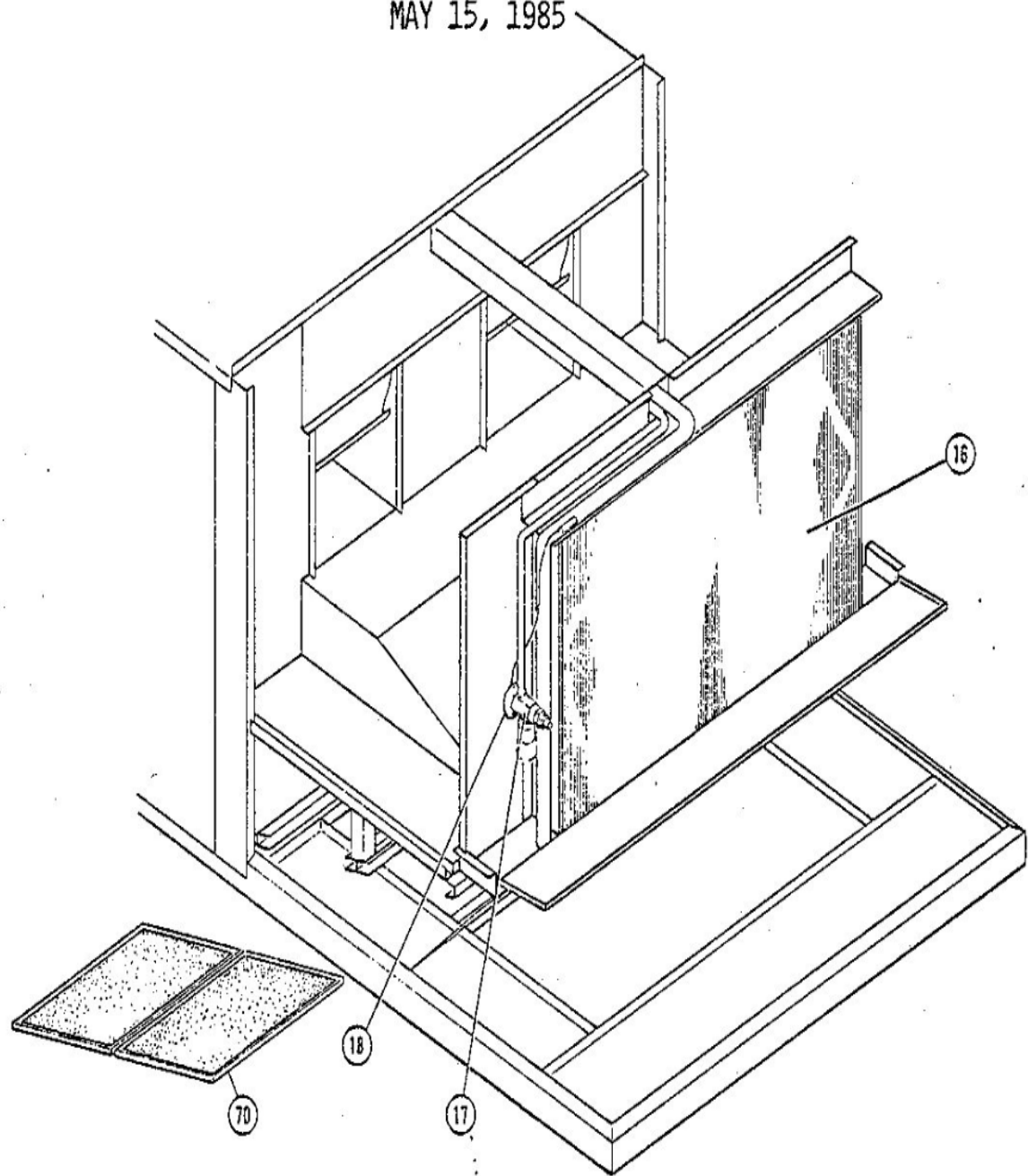


CHA8-953,1353,1853,2753 SERIES CABINET PARTS
MAY 15, 1985

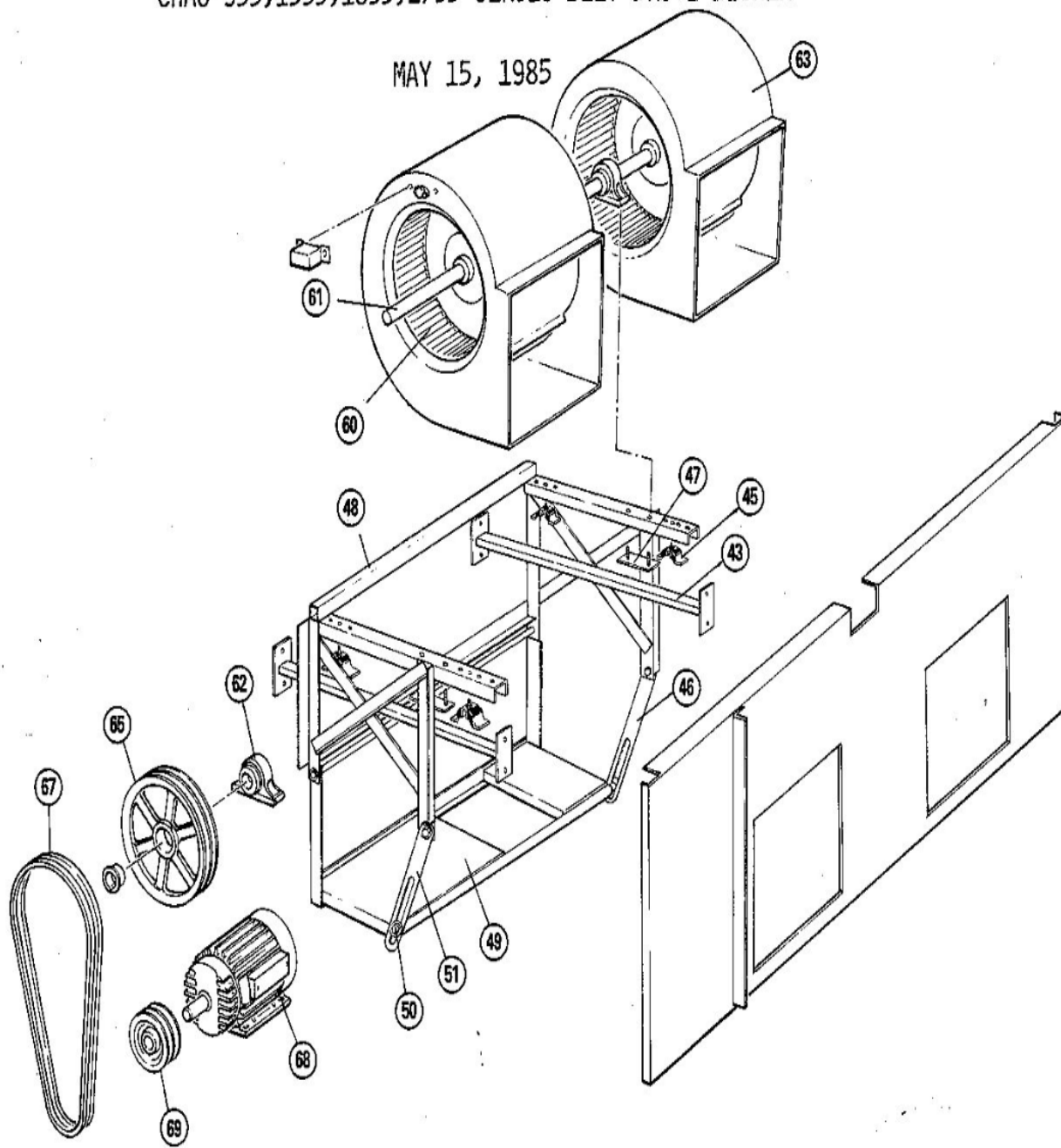


CHA8-953,1353,1853,2753 SERIES COOLING PARTS
MAY 15, 1985

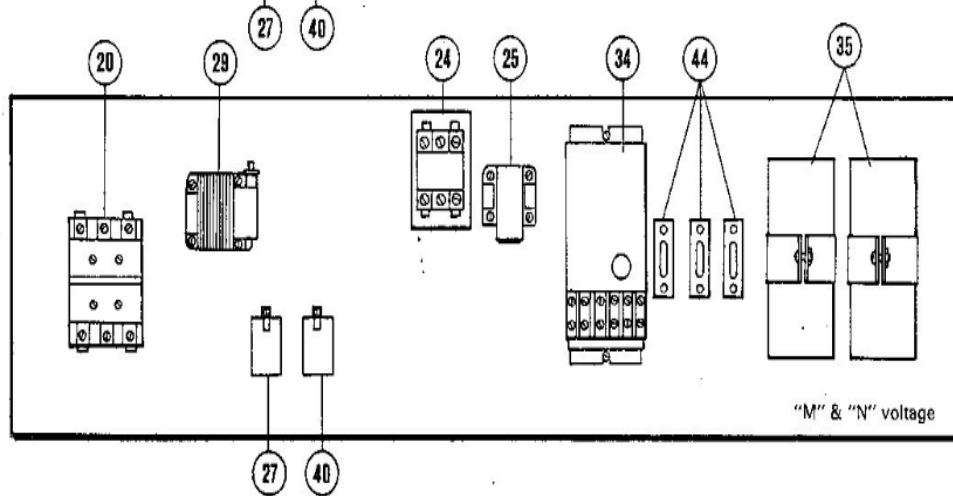
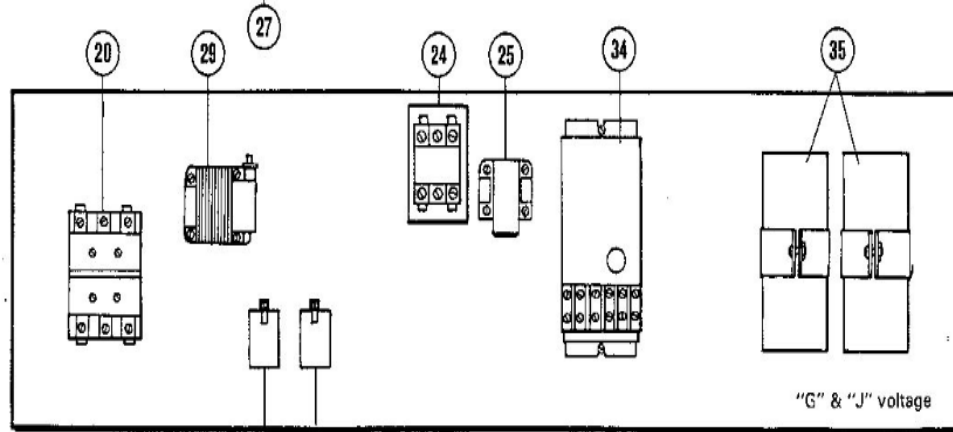
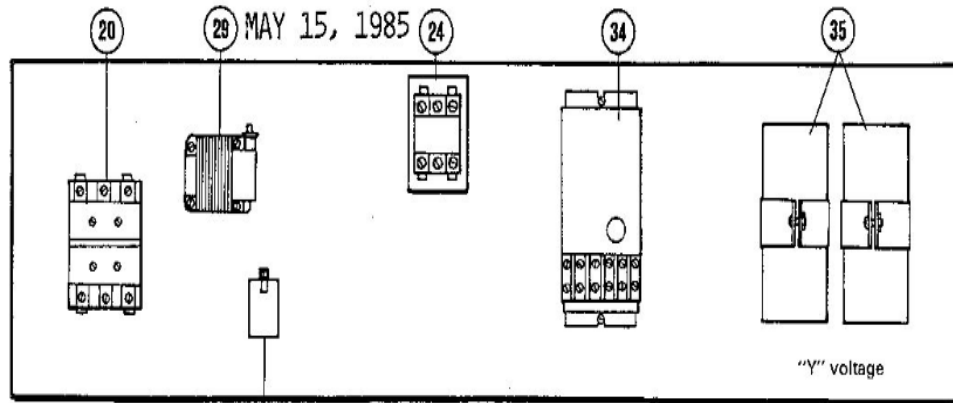


CHA8-953,1353,1853,2753 SERIES BELT DRIVE BLOWER

MAY 15, 1985



CHA8-953,1353 SERIES CONTROL PANEL PARTS



Revision Number - 5

BLOWER PARTS

Callout	Name	Quantity	Description
	PLATE-CUTOFF Cat #: 39A30 Model/Part #: LB-9969D	2	CUTOFF PLATE
	KEY-WOODRUFF Cat #: 21606 Model/Part #: P-8-5874	2	WOODRUFF
60	WHEEL-BLOWER Cat #: 21605 Model/Part #: P-5-179	2	"1-3/16"" BORE,15"" X 9""
61	SHAFT-BLOWER Cat #: 21607 Model/Part #: LB-0481D	1	"1-3/16""DIA,41"" LONG"
62	BEARING Cat #: 56627 Model/Part #: P-5-110	2	"1-3/16"" BORE,BALL"
63	HOUSING-BLOWER Cat #: 21924 Model/Part #: LB-41636C	2	BLO. HOUSING S.A.
65	PULLEY-BLOWER Cat #: 60536 Model/Part #: P-8-4945	1	"1-3/16"" BORE,9.35""OD, ""A""SECTION"
65	PULLEY-BLOWER Cat #: 32707 Model/Part #: P-8-5040	1	"1-3/16"" BORE,9""OD,2 GROOVE (INTL ONLY
67	BELT Cat #: 60538 Model/Part #: P-8-6361	2	"64.3"" ,""A""SECTION(INTL ONLY)"
67	BELT Cat #: 60539 Model/Part #: P-8-7305	2	"62.3"" ,""A""SECTION"
68	MOTOR-BLOWER Cat #: 32769 Model/Part #: P-8-5690	1	"3HP,1725RPM,208/60/3"

Callout	Name	Quantity	Description
68	MOTOR-BLOWER Cat #: 32646 Model/Part #: P-8-5693	1	"3HP,1725RPM,230-460/60/3"
68	MOTOR-BLOWER Cat #: 32643 Model/Part #: P-8-5696	1	"3HP,1725RPM,575/60/3"
69	PULLEY-MOTOR Cat #: 57526 Model/Part #: P-8-3026	1	"1-1/8" BORE, 5.37" OD, "B" SECTION"
69	PULLEY-MOTOR Cat #: P-8-9644 Model/Part #: P-8-9644	1	"28MM BORE, 6.5" OD, "A" OR "B" SECTION"

CABINET PARTS

Callout	Name	Quantity	Description
	PANEL Cat #: 53705 Model/Part #: LB-41583C	2	"ACCESS-COMP, FRONT & REAR"
	PANEL Cat #: LB-41586C Model/Part #: LB-41586C	1	"ACCESS-BLOWER, FRONT"
	MULLION Cat #: 73A19 Model/Part #: LB-41605C	1	DIVISION PANEL-REAR
	PANEL Cat #: 50151 Model/Part #: LB-41607C	1	"ACCESS-BLOWER, REAR"
	PANEL Cat #: LB-41619C Model/Part #: LB-41619C	1	CLOSURE
14	FRAME Cat #: LB-41573B Model/Part #: LB-41573B	1	DISCHARGE GRILLE
15	GRILLE-DISCHARGE Cat #: 46348 Model/Part #: P-8-5952	1	GRILLE - EXHAUST
73	PANEL Cat #: 50251 Model/Part #: LB-41602C	1	ACCESS-LOWER FRONT
73	PANEL Cat #: 50252 Model/Part #: LB-41735D	1	ACCESS-UPPER FRONT

Callout	Name	Quantity	Description
79	PANEL Cat #: 53859 Model/Part #: LB-41611C	1	"ACCESS-FILTER,REAR"
80	PANEL-TOP Cat #: 50140 Model/Part #: LB-41577B	1	BLOWER
81	PANEL-TOP Cat #: 50150 Model/Part #: LB-41581C	1	OUTLET
82	PANEL-TOP Cat #: 50269 Model/Part #: LB-41727B	1	HEAT
83	MULLION Cat #: 50042 Model/Part #: LB-41585C	1	DIVISION PANEL-FRONT
84	MULLION Cat #: LB-41731C Model/Part #: LB-41731C	1	BLOWER DECK-FRONT
85	MULLION Cat #: 73A20 Model/Part #: LB-41609C	1	BLOWER DECK-REAR
86	MULLION Cat #: 53706 Model/Part #: LB-41742C	1	OUTLET END-FRONT
87	MULLION Cat #: LB-41613C Model/Part #: LB-41613C	1	OUTLET END-REAR
89	MULLION Cat #: LB-7668C Model/Part #: LB-7668C	1	OD COIL END-REAR
90	MULLION Cat #: 53707 Model/Part #: LB-7667C	1	OD COIL END-FRONT
91	COVER-CONTROL BOX Cat #: LB-11053C Model/Part #: LB-11053C	1	COVER-CONTROL BOX
91	COVER-CONTROL BOX Cat #: LB-41716C Model/Part #: LB-41716C	1	(INTL ONLY)
92	PANEL Cat #: LB-41615C Model/Part #: LB-41615C	1	TOP PIECE-OUTLET END
94	PANEL Cat #: LB-41617C Model/Part #: LB-41617C	1	BOTTOM PIECE-OUTLET END

CONTROL PANEL PARTS

Callout	Name	Quantity	Description
	FUSE Cat #: 66247 Model/Part #: P-8-1674	1	"TYPE C,2.5AMP,250V"
	HEATER-RELAY Cat #: 61762 Model/Part #: P-8-9766	3	(USE W/3HP MOTOR- 380/420V UNITS- INTL ONL
	HEATER-RELAY Cat #: P-9-9767 Model/Part #: P-9-9767	3	(USE W/5HP MOTOR- 380/420V UNITS- INTL ONL
20	CONTACTOR Cat #: 68649 Model/Part #: P-8-7708	1	"3PDT,208/240V"
24	CONTACTOR Cat #: 38393 Model/Part #: P-8-7736	1	"ID BLOWER- 3PDT,24V"
25	CONTACTOR Cat #: 58312 Model/Part #: P-8-3519	1	"OD FAN- DPST,240V(440/480V & 550/600V UN
27	RELAY Cat #: 59510 Model/Part #: P-8-5387	1	"ECONOMIZER- SPST,N.O.,24V(OPT)"
29	TRANSFORMER Cat #: 13H28 Model/Part #: 75A7901	1	"208/230V PRI,24V SEC,50VA W/FUSE"
34	CONTROL-TIMED OFF Cat #: 37714 Model/Part #: BM-4888	1	KIT
35	CAPACITOR-RUN Cat #: 53H13 Model/Part #: P-8-1628	2	"20MFD,440VAC"
40	RELAY Cat #: 59510 Model/Part #: P-8-5387	1	"ECONOMIZER- SPST,N.O.,24V(OPT)"
44	OVERLOAD-RELAY Cat #: 38714 Model/Part #: P-8-9769	3	(INTL ONLY)

COOLING PARTS

Callout	Name	Quantity	Description
	COIL-HOT WATER Cat #: 15F04 Model/Part #: 8-6-7194B	1	(EHW8-135-1)
	RELAY-OVERLOAD	3	OVERLOAD

Callout	Name	Quantity	Description
	Cat #: 68298 Model/Part #: B735005P		
	RELAY-OVERLOAD Cat #: B735013P Model/Part #: B735013P	3	RELAY-OVERLOAD
	HEATER-CRANKCASE Cat #: 69260 Model/Part #: B735240	1	COMPRESSOR
	RELAY-OVERLOAD Cat #: B735373P Model/Part #: B735373P	3	RELAY-OVERLOAD
	PAN-DRAIN Cat #: 84A46 Model/Part #: LB-41684B	1	EVAP.DRAIN PAN S.A.
	MOUNT Cat #: 68666 Model/Part #: P-5-180	6	RUBBER BASE
	MOUNT Cat #: 68665 Model/Part #: P-5-181	6	RUBBER RING
	GASKET Cat #: 66280 Model/Part #: P-8-1584	1	DISCHARGE VALVE
	BELLOWS Cat #: P-8-2621 Model/Part #: P-8-2621	1	HI PRESSURE
	BELLOWS Cat #: P-8-2622 Model/Part #: P-8-2622	1	LO PRESSURE
	GASKET Cat #: 58303 Model/Part #: P-8-3482	1	SUCTION
	FUSE Cat #: 57207 Model/Part #: P-8-37	2	"COMP-TYPE AGC,3AMP,250V"
	DISTRIBUTOR Cat #: 37920 Model/Part #: P-8-6044	1	L/TUBES
	HOLDER-FUSE Cat #: 60579 Model/Part #: P-8-6237	2	HOLDER-FUSE
1	VALVE-SERVICE Cat #: 38248 Model/Part #: P-8-7870	1	"DISCHARGE,7/8""
2	ADAPTER	1	SUCTION

Callout	Name	Quantity	Description
	Cat #: 60818 Model/Part #: P-8-6173		
3	COIL-OUTDOOR Cat #: 69148 Model/Part #: 8-3-5286AA	2	L/MANIFOLD
3	COIL-OUTDOOR Cat #: 68670 Model/Part #: 8-6-6880B	1	W/MANIFOLD
4	DRIER Cat #: 66793 Model/Part #: P-8-996	1	DRIER
5	SWITCH-PRESS Cat #: 59244 Model/Part #: P-8-5072	1	"DUAL-LO-IN 25PSIG,OUT 55PSIG HI-OUT 410
8	VALVE-SERVICE Cat #: 67097 Model/Part #: P-8-2483	2	"LIQUID,5/8""
10	FAN Cat #: 68663 Model/Part #: P-8-6037	2	"5/8"" BORE,22""DIA,4 BLADES"
11	MOTOR-FAN Cat #: 32639 Model/Part #: P-8-6038	2	"3/4HP,1050RPM,230/60/1"
12	MOUNT-MOTOR Cat #: 86981 Model/Part #: P-8-10153	2	FRAME
16	COIL-INDOOR Cat #: 68669 Model/Part #: 8-6-6881B	1	W/MANIFOLD
17	VALVE-EXPANSION Cat #: 68263 Model/Part #: P-8-3763	1	VALVE-EXPANSION
18	ELEMENT-THERMO Cat #: 38410 Model/Part #: P-8-2695	1	KIT
54	MOUNT PKG-COMP Cat #: 69214 Model/Part #: PR-312	1	MOUNT PKG-COMP
56	COMPRESSOR Cat #: 60L06 Model/Part #: L2D12724F	1	"11TON,380-420/50/3,LENNOX"
56	COMPRESSOR Cat #: 60L07 Model/Part #: L2D12724H	1	"11TON,550-600/60/3,LENNOX"
56	COMPRESSOR Cat #: 60L05 Model/Part #: L2D12724L	1	"11TON,208-240/60/3,LENNOX"
59	TRANSFORMER	1	"240/480V PRI,120/240V

Callout	Name	Quantity	Description
	Cat #: 31570 Model/Part #: P-8-1960		SEC, 2KVA L/FUSE(
59	TRANSFORMER Cat #: 31571 Model/Part #: P-8-1961	1	"240/480V PRI,120/240V SEC, 2KVA L/FUSE"
70	FILTER-AIR Cat #: 30334 Model/Part #: P-8-7820	6	"16" X 20" X 1", WASHABLE"

DRIVE KITS

Callout	Name	Quantity	Description
67	BELT Cat #: 60540 Model/Part #: P-8-6042	2	"63.3", "A" SECTION"
68	MOTOR-BLOWER Cat #: 32645 Model/Part #: P-8-5700	1	"5HP,1745RPM,230- 460/60/3"
68	MOTOR-BLOWER Cat #: 32644 Model/Part #: P-8-5703	1	"5HP,1725RPM,575/60/3"
69	PULLEY-MOTOR Cat #: 56938 Model/Part #: P-8-1496	1	"1-1/8" BORE,5.95"OD,"A" OR "B" SEC
69	PULLEY-MOTOR Cat #: 86949 Model/Part #: P-8-9645	1	"28MM BORE,7.5"OD,"A" OR "B" SECTIO

PARTS FOR FIRST REVISION BLOWER FRAME

Callout	Name	Quantity	Description
	MOUNT-BLOWER Cat #: 87301 Model/Part #: PR-355	1	VIBRO INSULATOR(FOOTNOTE 3)
43	SUPPORT Cat #: 53715 Model/Part #: LB-41680B	2	SUPPORT-SPRING
48	FRAME ASSY Cat #: 50294 Model/Part #: LB-44473BB	1	BEARING(FOOTNOTE 2)
49	BASE-MOTOR Cat #: 50183 Model/Part #: LB-41677C	1	BASE FRAME

Callout	Name	Quantity	Description
49	BASE-MOTOR Cat #: LB-41724C Model/Part #: LB-41724C	1	BASE FRAME(INTL ONLY)
50	ROD-HINGE Cat #: 87135 Model/Part #: LB-41297D	1	ROD-HINGE
51	BRACKET Cat #: 53714 Model/Part #: LB-41679C	1	ADJ

Note:

Note1: BLOWER FRAME CHANGE BETWEEN FIRST AND SECOND REVISION OCCURRED WITHIN -6 PRODUCTION. FIRST REVISION BLOWER FRAME USED ON UNITS WITH SERIAL NO. 5475H02773 OR LOWER. SECOND REVISION BLOWER FRAME USED ON UNITS WITH SERIAL NO. 5475H02774 OR HIG Note2: IF THIS PART IS ORDERED, YOU MUST ALSO ORDER PR-355.
Note3: SPRINGS MUST BE REPLACED WITH VIBRO INSULATORS.