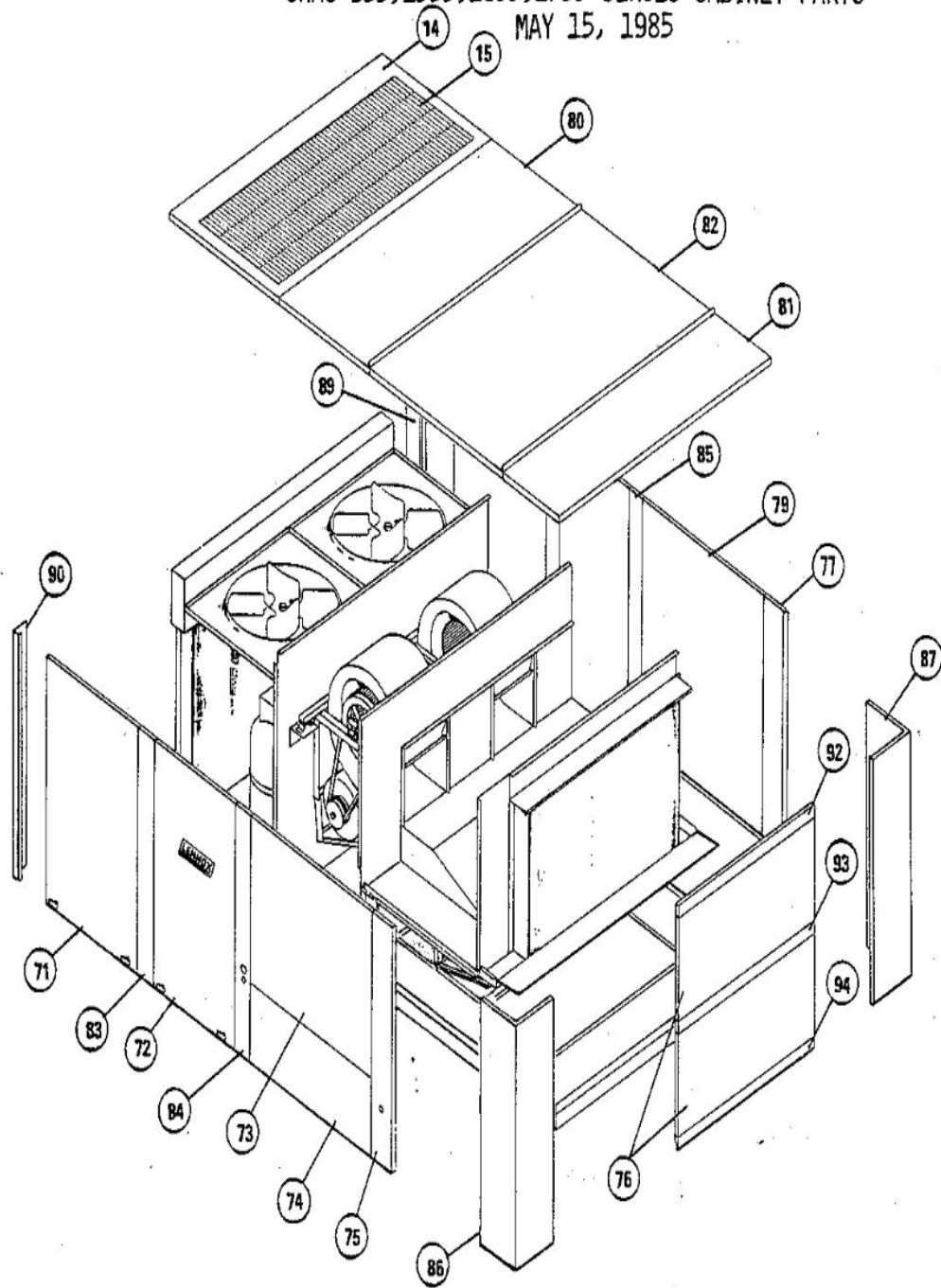
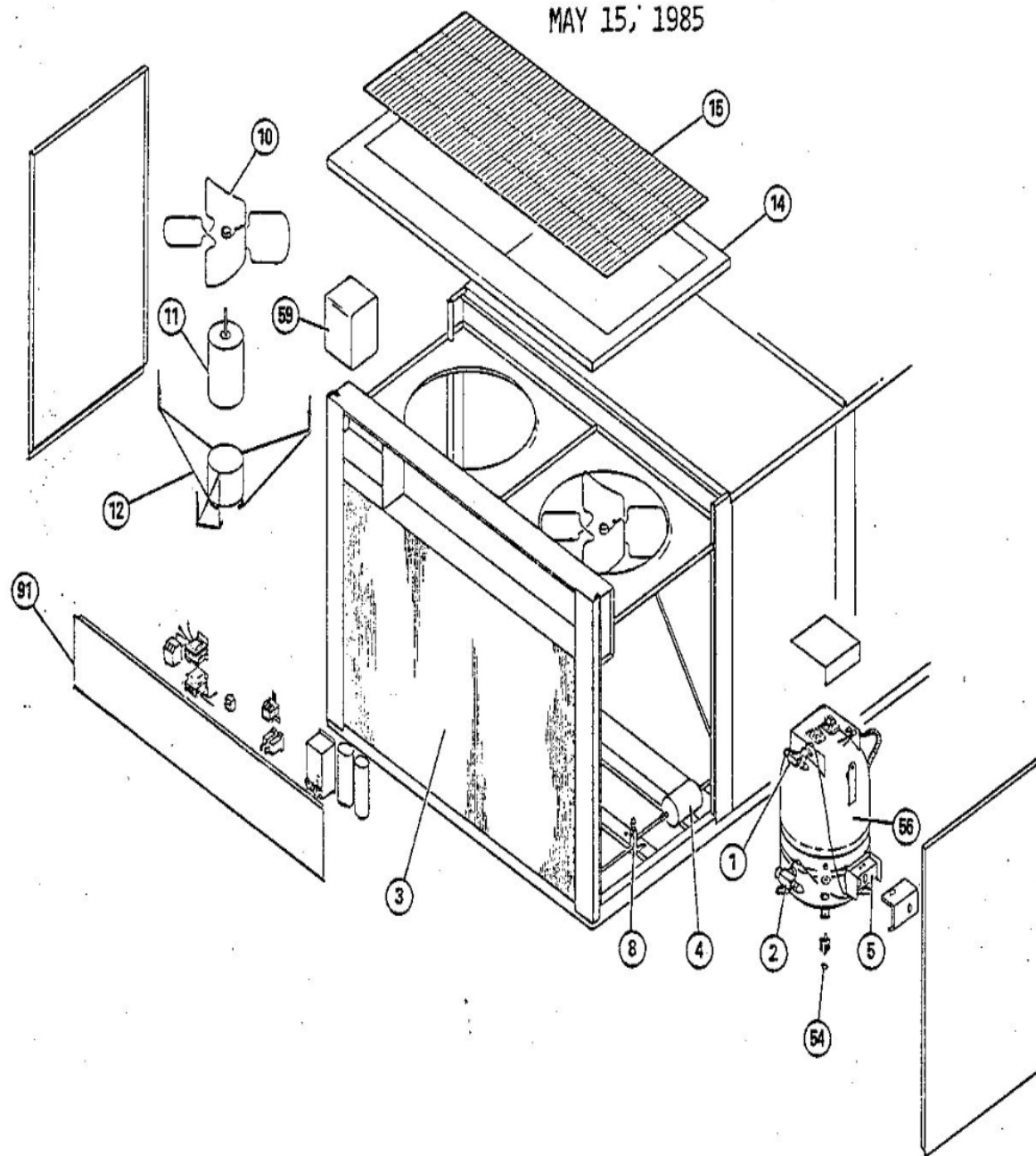


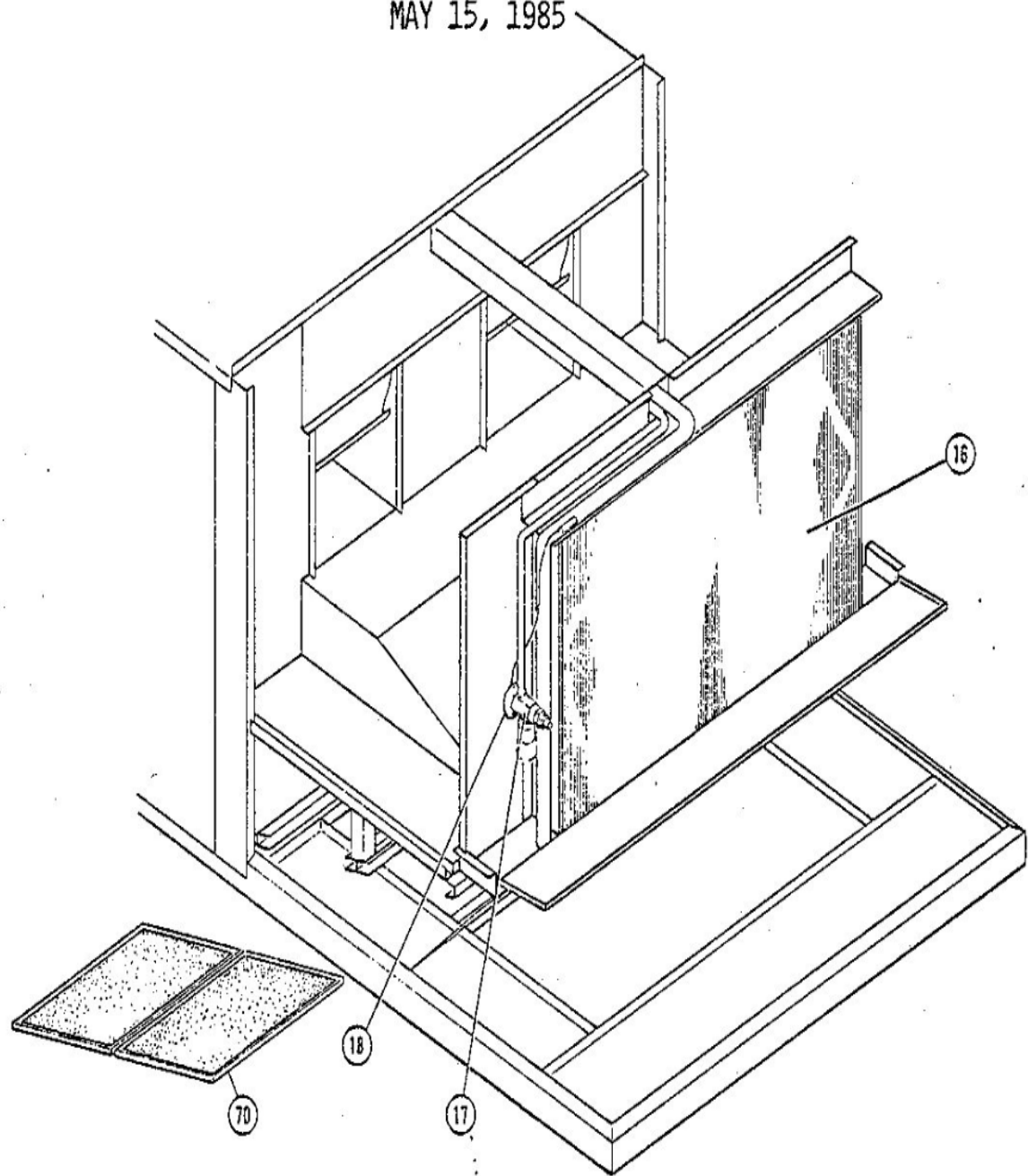
CHA8-953,1353,1853,2753 SERIES CABINET PARTS
MAY 15, 1985



CHA8-953,1353,1853,2753 SERIES COOLING PARTS
MAY 15, 1985

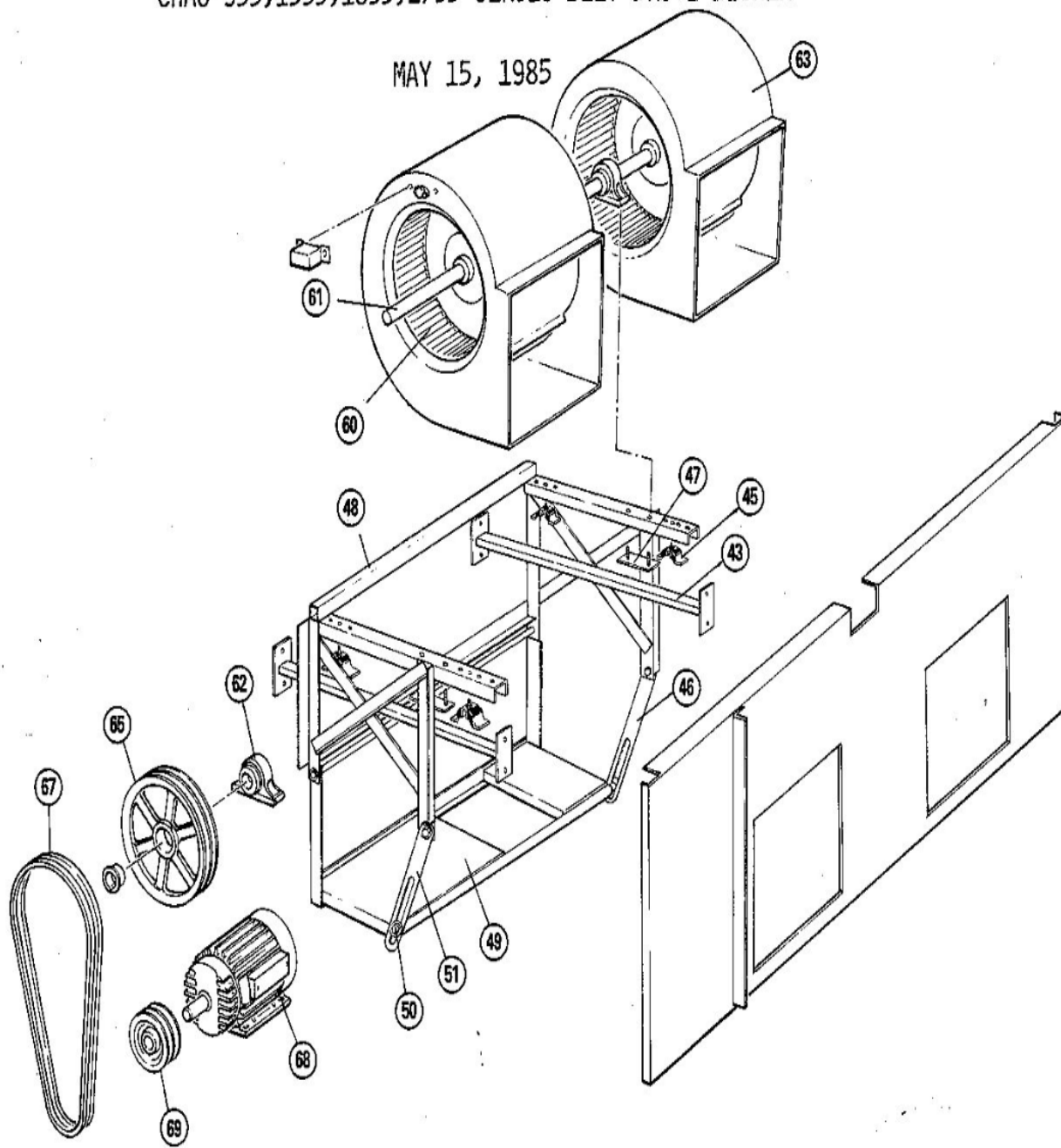


CHA8-953,1353,1853,2753 SERIES COOLING PARTS
MAY 15, 1985

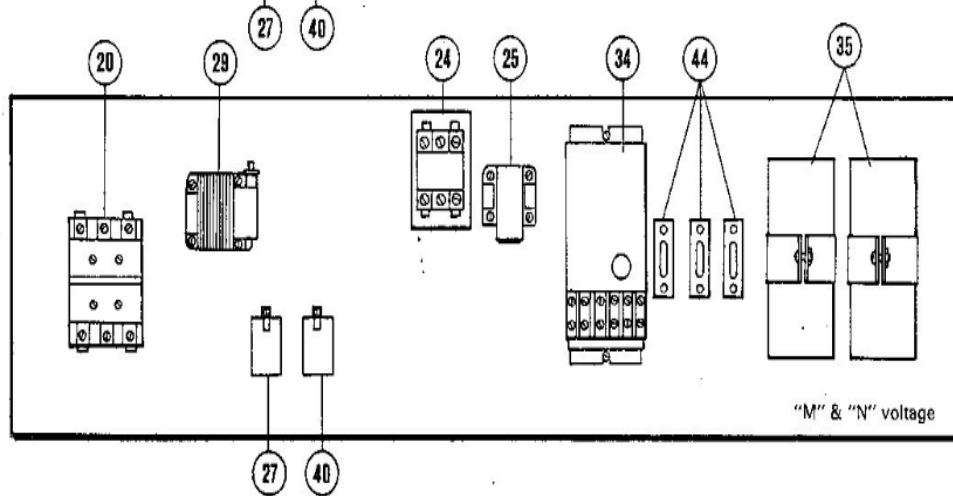
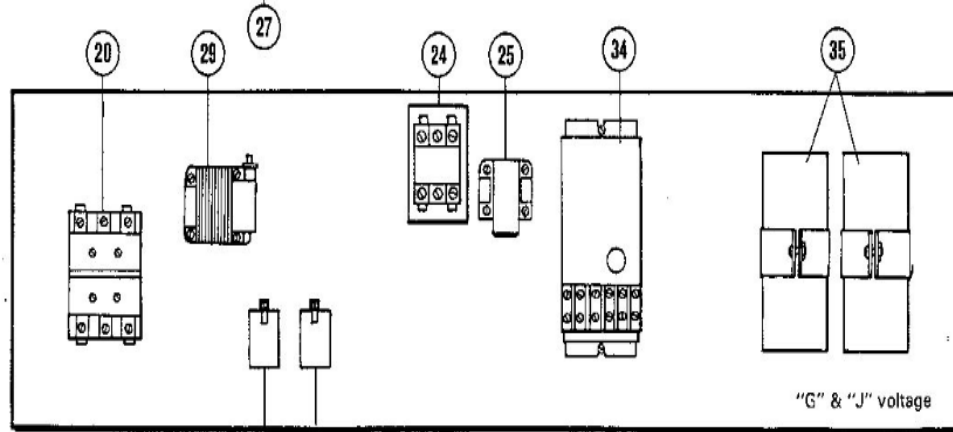
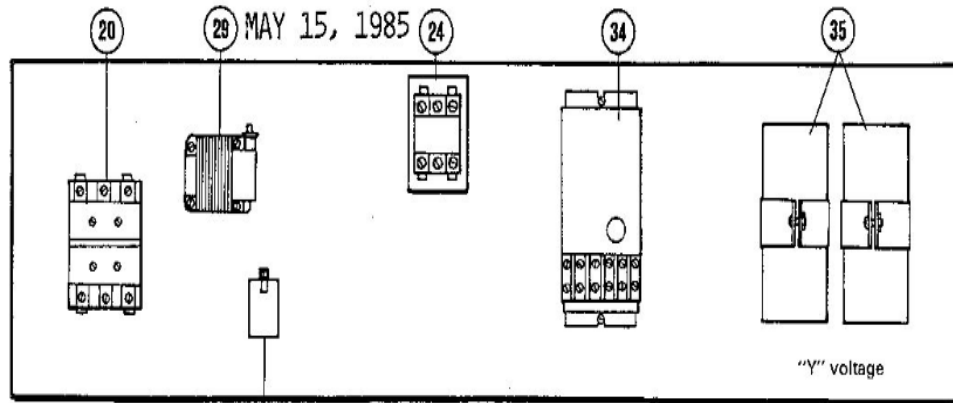


CHA8-953,1353,1853,2753 SERIES BELT DRIVE BLOWER

MAY 15, 1985



CHA8-953,1353 SERIES CONTROL PANEL PARTS



Revision Number - 2

BLOWER PARTS

Callout	Name	Quantity	Description
	PLATE-CUTOFF Cat #: LB-0460 Model/Part #: LB-0460	2	PLATE-CUTOFF
	KEY-WOODRUFF Cat #: 21606 Model/Part #: P-8-5874	2	WOODRUFF
60	WHEEL-BLOWER Cat #: 21605 Model/Part #: P-5-179	2	"1-3/16"" BORE,15"" X 9""
61	SHAFT-BLOWER Cat #: 21607 Model/Part #: LB-0481D	1	"1-3/16""DIA,41"" LONG"
62	BEARING Cat #: 56627 Model/Part #: P-5-110	2	"1-3/16"" BORE,BALL"
63	HOUSING-BLOWER Cat #: 53631 Model/Part #: LB-0453	2	BLOWER SUB ASSEMBLY (15x9)
65	PULLEY-BLOWER Cat #: 60536 Model/Part #: P-8-4945	1	"1-3/16"" BORE,9.35""OD, ""A""SECTION"
67	BELT Cat #: 60539 Model/Part #: P-8-7305	2	"62.3"" ,""A""SECTION"
68	MOTOR-BLOWER Cat #: 32769 Model/Part #: P-8-5690	1	"3HP,1725RPM,208/60/3"
68	MOTOR-BLOWER Cat #: 32646 Model/Part #: P-8-5693	1	"3HP,1725RPM,230-460/60/3"
68	MOTOR-BLOWER Cat #: 32643 Model/Part #: P-8-5696	1	"3HP,1725RPM,575/60/3"

Callout	Name	Quantity	Description
69	PULLEY-MOTOR Cat #: 57526 Model/Part #: P-8-3026	1	"1- 1/8"BORE,5.37"OD,""B"SECTION"

CONTROL PANEL PARTS

Callout	Name	Quantity	Description
	FUSE Cat #: 66247 Model/Part #: P-8-1674	2	"TYPE C,2.5AMP,250V"
20	CONTACTOR Cat #: 68649 Model/Part #: P-8-7708	1	"3PDT,208/240V"
24	CONTACTOR Cat #: 38393 Model/Part #: P-8-7736	1	"ID BLOWER- 3PDT,24V"
25	CONTACTOR Cat #: 58312 Model/Part #: P-8-3519	1	"OD FAN- DPST,240V(440/480V & 550/600V UN
27	RELAY Cat #: 59510 Model/Part #: P-8-5387	1	"CONTROL- SPST,N.O.,24V"
29	TRANSFORMER Cat #: 13H28 Model/Part #: 75A7901	2	"208/230V PRI,24V SEC,50VA W/FUSE"
34	CONTROL-TIMED OFF Cat #: 37714 Model/Part #: BM-4888	1	KIT
35	CAPACITOR-RUN Cat #: 53H13 Model/Part #: P-8-1628	2	"20MFD,440VAC"

COOLING PARTS

Callout	Name	Quantity	Description
	COIL-HOT WATER Cat #: 15F04 Model/Part #: 8-6-7194B	1	(EHW8-135-1)
	RELAY-OVERLOAD Cat #: 68298 Model/Part #: B735005P	3	OVERLOAD
	RELAY-OVERLOAD Cat #: B735013P Model/Part #:	3	RELAY-OVERLOAD

Callout	Name	Quantity	Description
	B735013P		
	HEATER-CRANKCASE Cat #: 69260 Model/Part #: B735240	1	COMPRESSOR
	RELAY-OVERLOAD Cat #: B735373P Model/Part #: B735373P	3	RELAY-OVERLOAD
	PAN-DRAIN Cat #: 25G96 Model/Part #: LB-11059	1	PAN - DRAIN
	MOUNT Cat #: 68666 Model/Part #: P-5-180	6	RUBBER BASE
	MOUNT Cat #: 68665 Model/Part #: P-5-181	6	RUBBER RING
	GASKET Cat #: 66280 Model/Part #: P-8-1584	1	DISCHARGE VALVE
	BELLOWS Cat #: P-8-2621 Model/Part #: P-8- 2621	1	HI PRESSURE
	BELLOWS Cat #: P-8-2622 Model/Part #: P-8- 2622	1	LO PRESSURE
	GASKET Cat #: 58303 Model/Part #: P-8-3482	1	SUCTION
	FUSE Cat #: 57207 Model/Part #: P-8-37	2	"COMP-TYPE AGC,3AMP,250V"
	DISTRIBUTOR Cat #: 37920 Model/Part #: P-8-6044	1	L/TUBES
	HOLDER-FUSE Cat #: 60579 Model/Part #: P-8-6237	2	HOLDER-FUSE
1	VALVE-SERVICE Cat #: 38248 Model/Part #: P-8-7870	1	"DISCHARGE,7/8""
2	VALVE-SERVICE Cat #: 38397 Model/Part #: P-8-7872	1	"SUCTION,1-3/8""
3	COIL-OUTDOOR Cat #: 69148 Model/Part #: 8-3-	2	L/MANIFOLD

Callout	Name	Quantity	Description
	5286AA		
3	COIL-OUTDOOR Cat #: 68670 Model/Part #: 8-6-6880B	1	W/MANIFOLD
4	DRIER Cat #: 66793 Model/Part #: P-8-996	1	DRIER
5	SWITCH-PRESS Cat #: 59244 Model/Part #: P-8-5072	1	"DUAL-LO-IN 25PSIG,OUT 55PSIG HI-OUT 410
8	VALVE-SERVICE Cat #: 67097 Model/Part #: P-8-2483	2	"LIQUID,5/8""
10	FAN Cat #: 68663 Model/Part #: P-8-6037	2	"5/8"" BORE,22""DIA,4 BLADES"
11	MOTOR-FAN Cat #: 32639 Model/Part #: P-8-6038	2	"3/4HP,1050RPM,230/60/1"
12	MOUNT-MOTOR Cat #: 86981 Model/Part #: LB-0925	2	FRAME
16	COIL-INDOOR Cat #: 68669 Model/Part #: 8-6-6881B	1	W/MANIFOLD
17	VALVE-EXPANSION Cat #: 68263 Model/Part #: P-8-3763	1	VALVE-EXPANSION
18	ELEMENT-THERMO Cat #: 38410 Model/Part #: P-8-2695	1	KIT
54	MOUNT PKG-COMP Cat #: 69214 Model/Part #: PR-312	1	MOUNT PKG-COMP
56	COMPRESSOR Cat #: 60L06 Model/Part #: L2D12724F	1	"11TON,440- 480/60/3,LENNOX"
56	COMPRESSOR Cat #: 60L07 Model/Part #: L2D12724H	1	"11TON,550- 600/60/3,LENNOX"
56	COMPRESSOR Cat #: 60L05 Model/Part #: L2D12724L	1	"11TON,208- 240/60/3,LENNOX"
59	TRANSFORMER Cat #: 31570 Model/Part #: P-8-1960	1	"600V PRI,120/240V SEC,2KVA L/FUSE"
59	TRANSFORMER Cat #: 31571 Model/Part #: P-8-1961	1	"240/480V PRI,120/240V SEC, 2KVA L/FUSE"

DRIVE KITS

Callout	Name	Quantity	Description
67	BELT Cat #: 60540 Model/Part #: P-8-6042	2	"63.3"" , ""A""SECTION"
68	MOTOR-BLOWER Cat #: 32645 Model/Part #: P-8-5700	1	"5HP,1745RPM,230-460/60/3"
68	MOTOR-BLOWER Cat #: 32644 Model/Part #: P-8-5703	1	"5HP,1725RPM,575/60/3"
69	PULLEY-MOTOR Cat #: 56938 Model/Part #: P-8-1496	1	"1-1/8"" BORE,5.95""OD, ""A"" OR ""B""SEC

PARTS FOR FIRST REVISION BLOWER FRAME

Callout	Name	Quantity	Description
	MOUNT-BLOWER Cat #: 87301 Model/Part #: PR-355	1	VIBRO INSULATOR(FOOTNOTE 3)
43	SUPPORT Cat #: 50405 Model/Part #: LB-12792	2	SUPPORT SPRING
46	BRACKET Cat #: 53683 Model/Part #: LB-10930DA	1	"ADJ,RIGHT,27-1/8"""
48	FRAME ASSY Cat #: 50294 Model/Part #: LB-44473BB	1	BEARING(FOOTNOTE 2)
49	BASE-MOTOR Cat #: 53607 Model/Part #: LB-11061	1	BASE FRAME
50	ROD-HINGE Cat #: 86758 Model/Part #: LB-0185	2	ROD-HINGE
51	BRACKET Cat #: 53684 Model/Part #: LB-10930DB	1	"ADJ,LEFT,27-1/8"""

Note:

Note1: BLOWER FRAME CHANGE BETWEEN FIRST AND SECOND REVISION OCCURRED WITHIN -6 PRODUCTION. FIRST REVISION BLOWER FRAME USED ON UNITS WITH SERIAL NO.

5475H02773 OR LOWER. SECOND REVISION BLOWER FRAME USED ON UNITS WITH SERIAL NO. 5475H02774 OR HIG Note2: IF THIS PART IS ORDERED, YOU MUST ALSO ORDER PR-355.

Note3: SPRINGS MUST BE REPLACED WITH VIBRO INSULATORS.