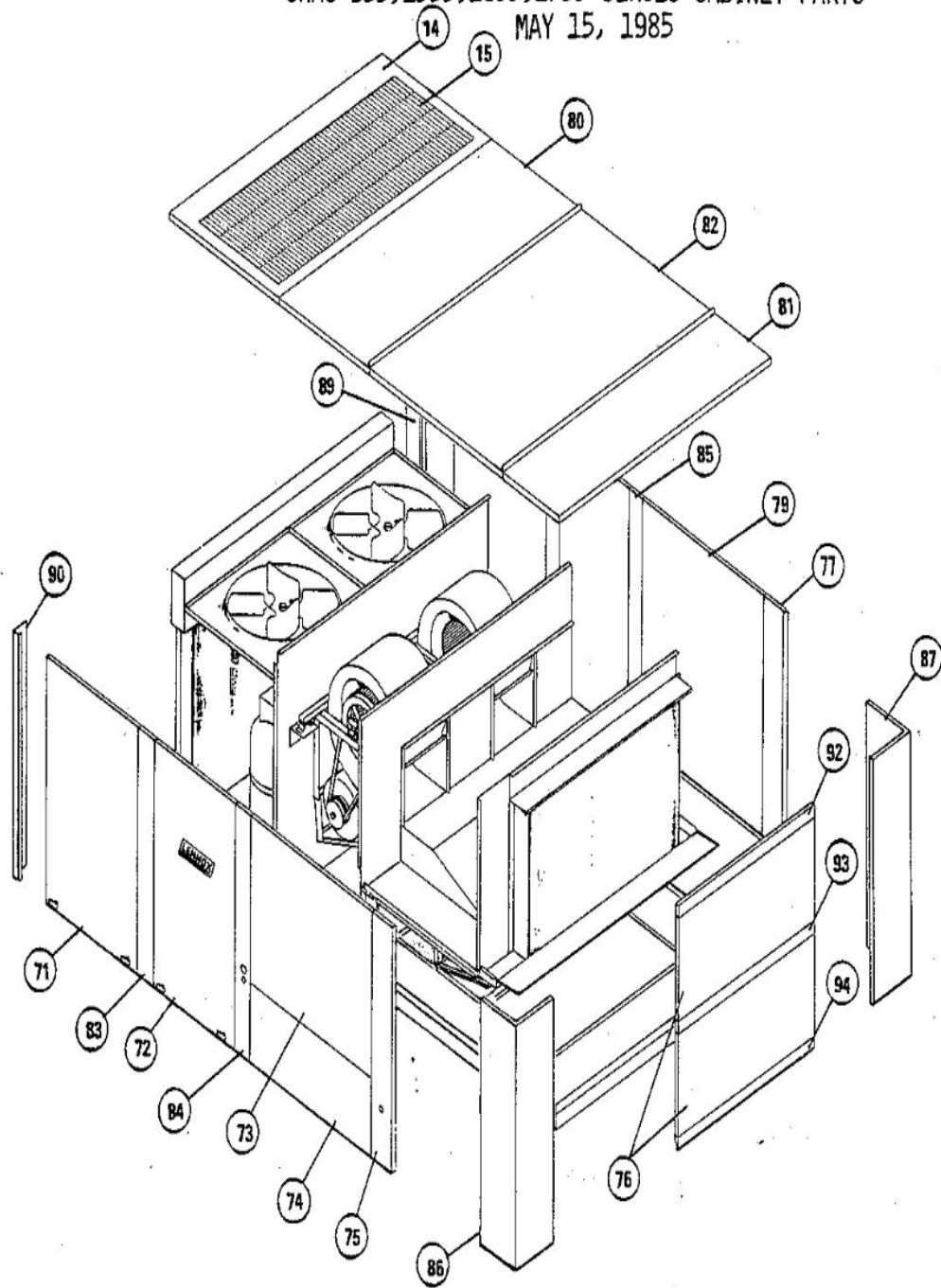
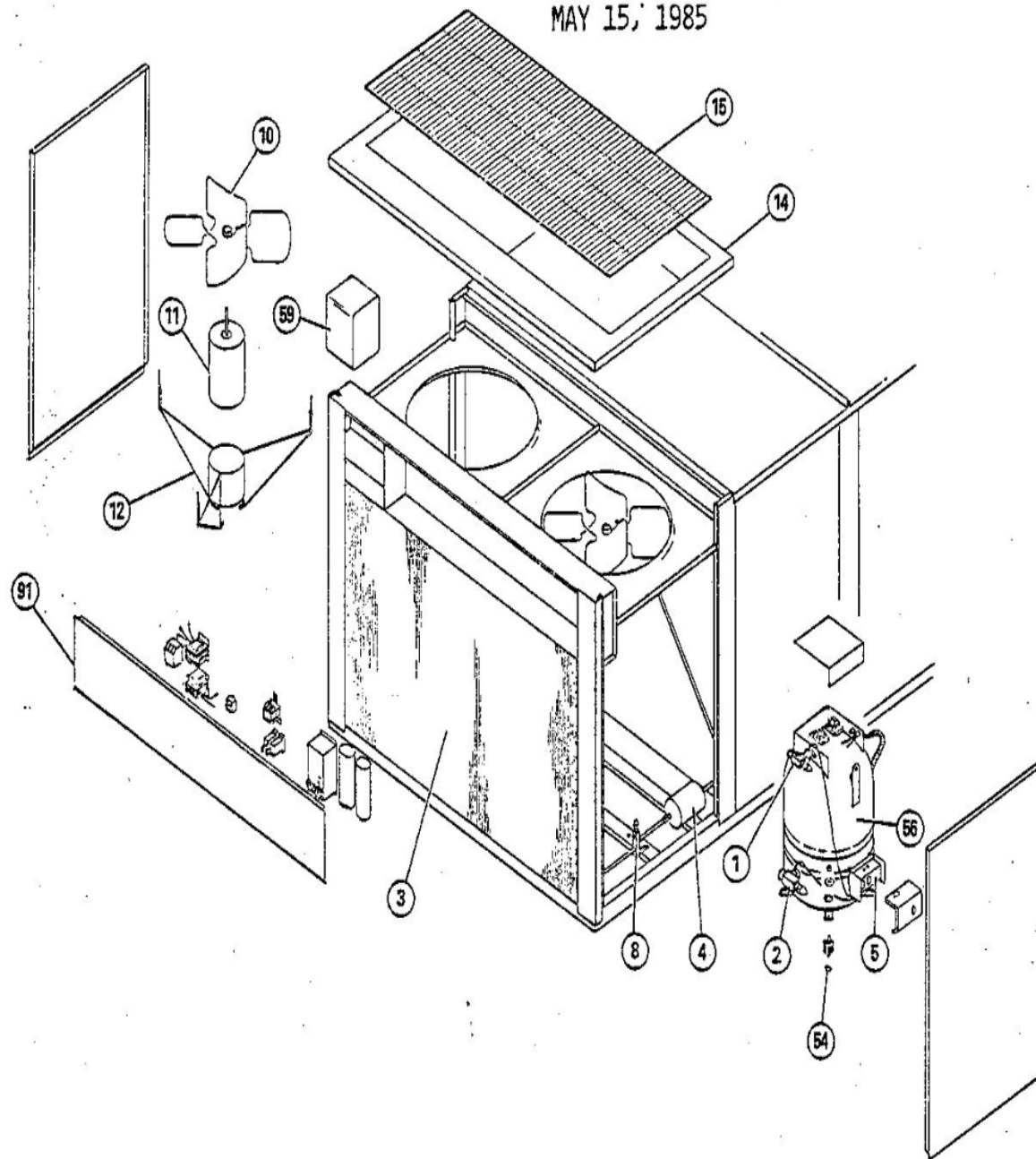


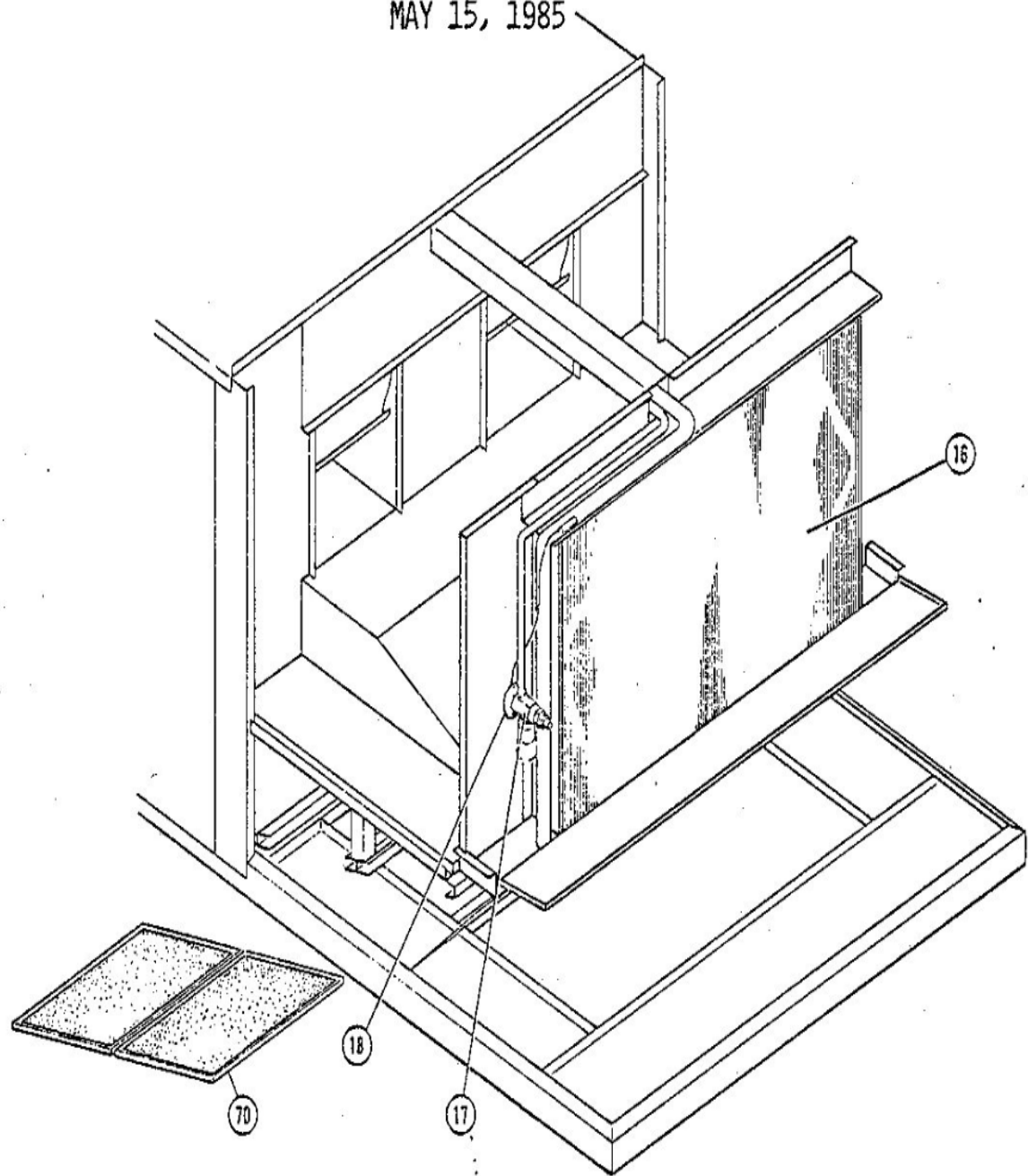
CHA8-953,1353,1853,2753 SERIES CABINET PARTS  
MAY 15, 1985



CHA8-953,1353,1853,2753 SERIES COOLING PARTS  
MAY 15, 1985

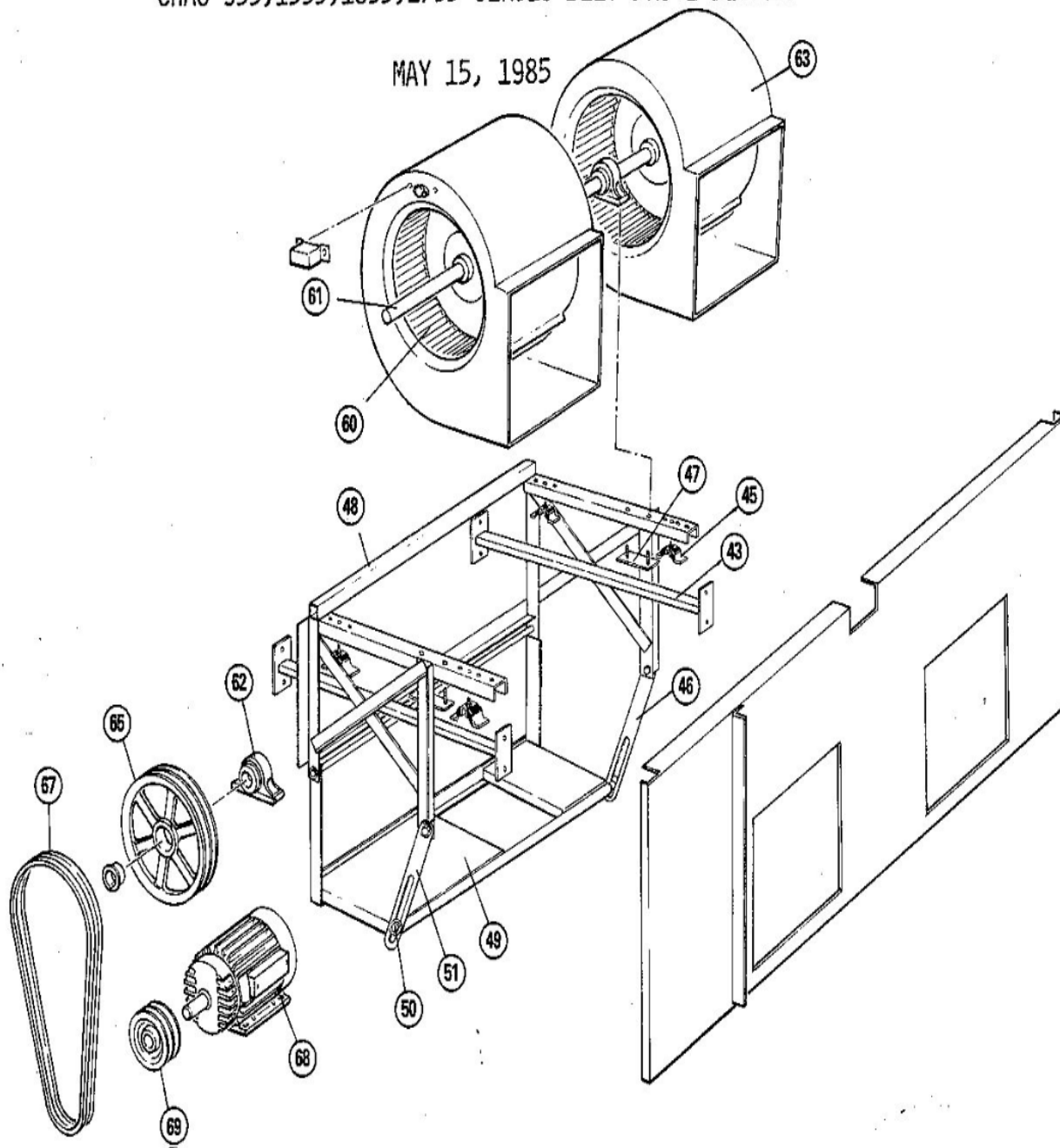


CHA8-953,1353,1853,2753 SERIES COOLING PARTS  
MAY 15, 1985

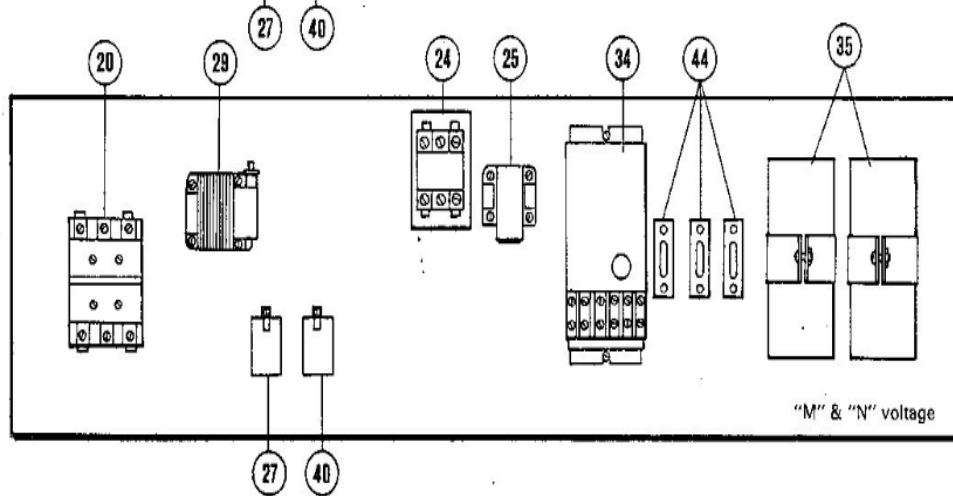
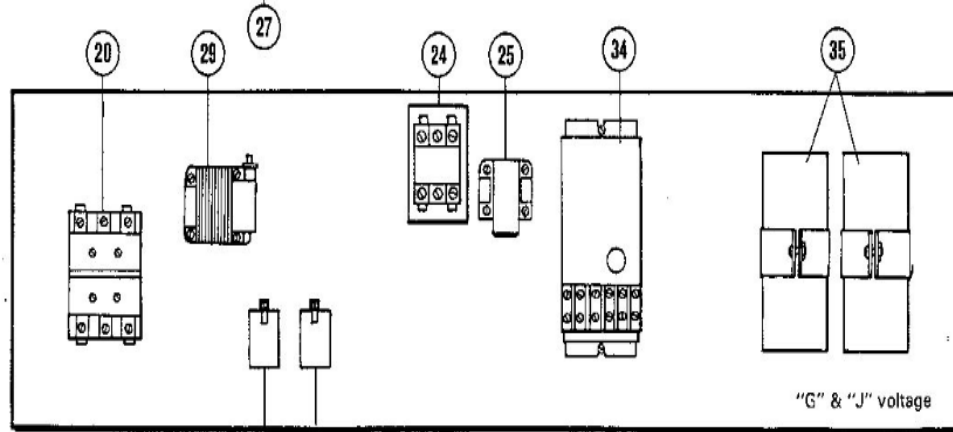
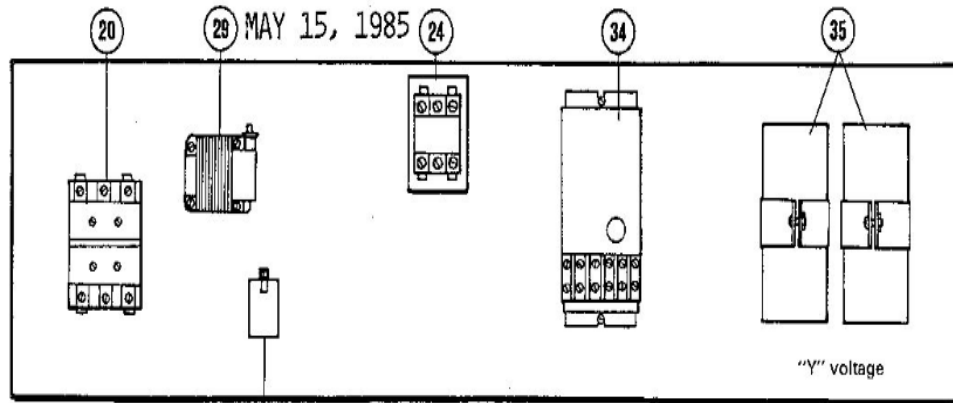


# CHA8-953,1353,1853,2753 SERIES BELT DRIVE BLOWER

MAY 15, 1985



CHA8-953,1353 SERIES CONTROL PANEL PARTS



Revision Number - 2

## BLOWER PARTS

| Callout | Name   | Quantity | Description                               |
|---------|--|----------|---|
|         | PLATE-CUTOFF<br>Cat #: LB-0460 Model/Part #: LB-0460 | 2        | PLATE-CUTOFF                              |
|         | KEY-WOODRUFF<br>Cat #: 21606 Model/Part #: P-8-5874  | 2        | WOODRUFF                                  |
| 60      | WHEEL-BLOWER<br>Cat #: 21605 Model/Part #: P-5-179   | 2        | "1-3/16"" BORE,15"" X 9""                 |
| 61      | SHAFT-BLOWER<br>Cat #: 21607 Model/Part #: LB-0481D  | 1        | "1-3/16""DIA,41"" LONG"                   |
| 62      | BEARING<br>Cat #: 56627 Model/Part #: P-5-110        | 2        | "1-3/16"" BORE,BALL"                      |
| 63      | HOUSING-BLOWER<br>Cat #: 53631 Model/Part #: LB-0453 | 2        | BLOWER SUB ASSEMBLY (15x9)                |
| 65      | PULLEY-BLOWER<br>Cat #: 60536 Model/Part #: P-8-4945 | 1        | "1-3/16"" BORE,9.35""OD,<br>""A""SECTION" |
| 67      | BELT<br>Cat #: 60539 Model/Part #: P-8-7305          | 2        | "62.3"" ,""A""SECTION"                    |
| 68      | MOTOR-BLOWER<br>Cat #: 32769 Model/Part #: P-8-5690  | 1        | "3HP,1725RPM,208/60/3"                    |
| 68      | MOTOR-BLOWER<br>Cat #: 32646 Model/Part #: P-8-5693  | 1        | "3HP,1725RPM,230-460/60/3"                |
| 68      | MOTOR-BLOWER<br>Cat #: 32643 Model/Part #: P-8-5696  | 1        | "3HP,1725RPM,575/60/3"                    |

| Callout | Name  | Quantity | Description                              |
|---------|---|----------|--|
| 69      | PULLEY-MOTOR<br>Cat #: 57526 Model/Part #: P-8-3026 | 1        | "1-<br>1/8" BORE, 5.37" OD, "B" SECTION" |

## CONTROL PANEL PARTS

| Callout | Name  | Quantity | Description                                      |
|---------|---|----------|--|
|         | FUSE<br>Cat #: 66247 Model/Part #: P-8-1674             | 2        | "TYPE<br>C, 2.5AMP, 250V"                        |
| 20      | CONTACTOR<br>Cat #: 68649 Model/Part #: P-8-7708        | 1        | "3PDT, 208/240V"                                 |
| 24      | CONTACTOR<br>Cat #: 38393 Model/Part #: P-8-7736        | 1        | "ID BLOWER-<br>3PDT, 24V"                        |
| 25      | CONTACTOR<br>Cat #: 58312 Model/Part #: P-8-3519        | 1        | "OD FAN-<br>DPST, 240V(440/480V<br>& 550/600V UN |
| 27      | RELAY<br>Cat #: 59510 Model/Part #: P-8-5387            | 1        | "CONTROL-<br>SPST, N.O., 24V"                    |
| 29      | TRANSFORMER<br>Cat #: 13H28 Model/Part #: 75A7901       | 2        | "208/230V PRI, 24V<br>SEC, 50VA W/FUSE"          |
| 34      | CONTROL-TIMED OFF<br>Cat #: 37714 Model/Part #: BM-4888 | 1        | KIT  |
| 35      | CAPACITOR-RUN<br>Cat #: 53H13 Model/Part #: P-8-1628    | 2        | "20MFD, 440VAC"                                  |

## COOLING PARTS

| Callout | Name   | Quantity | Description    |
|---------|--|----------|----------------|
|         | COIL-HOT WATER<br>Cat #: 15F04 Model/Part #: 8-6-7194B | 1        | (EHW8-135-1)   |
|         | RELAY-OVERLOAD<br>Cat #: 68298 Model/Part #: B735005P  | 3        | OVERLOAD       |
|         | RELAY-OVERLOAD<br>Cat #: B735013P Model/Part #:        | 3        | RELAY-OVERLOAD |

| <b>Callout</b> | <b>Name</b>   | <b>Quantity</b> | <b>Description</b>           |
|----------------|---|-----------------|------------------------------|
|                | B735013P  |                 |                              |
|                | HEATER-CRANKCASE<br>Cat #: 69260 Model/Part #: B735240      | 1               | COMPRESSOR                   |
|                | RELAY-OVERLOAD<br>Cat #: B735373P Model/Part #:<br>B735373P | 3               | RELAY-OVERLOAD               |
|                | PAN-DRAIN<br>Cat #: 25G96 Model/Part #: LB-11059            | 1               | PAN - DRAIN                  |
|                | MOUNT<br>Cat #: 68666 Model/Part #: P-5-180                 | 6               | RUBBER BASE                  |
|                | MOUNT<br>Cat #: 68665 Model/Part #: P-5-181                 | 6               | RUBBER RING                  |
|                | GASKET<br>Cat #: 66280 Model/Part #: P-8-1584               | 1               | DISCHARGE VALVE              |
|                | BELLOWS<br>Cat #: P-8-2621 Model/Part #: P-8-<br>2621       | 1               | HI PRESSURE                  |
|                | BELLOWS<br>Cat #: P-8-2622 Model/Part #: P-8-<br>2622       | 1               | LO PRESSURE                  |
|                | GASKET<br>Cat #: 58303 Model/Part #: P-8-3482               | 1               | SUCTION                      |
|                | FUSE<br>Cat #: 57207 Model/Part #: P-8-37                   | 2               | "COMP-TYPE<br>AGC,3AMP,250V" |
|                | DISTRIBUTOR<br>Cat #: 37920 Model/Part #: P-8-6044          | 1               | L/TUBES                      |
|                | HOLDER-FUSE<br>Cat #: 60579 Model/Part #: P-8-6237          | 2               | HOLDER-FUSE                  |
| 1              | VALVE-SERVICE<br>Cat #: 38248 Model/Part #: P-8-7870        | 1               | "DISCHARGE,7/8""             |
| 2              | VALVE-SERVICE<br>Cat #: 38397 Model/Part #: P-8-7872        | 1               | "SUCTION,1-3/8""             |
| 3              | COIL-OUTDOOR<br>Cat #: 69148 Model/Part #: 8-3-             | 2               | L/MANIFOLD                   |

| Callout | Name   | Quantity | Description                                 |
|---------|--|----------|---|
|         | 5286AA   |          |   |
| 3       | COIL-OUTDOOR<br>Cat #: 68670 Model/Part #: 8-6-6880B   | 1        | W/MANIFOLD                                  |
| 4       | DRIER<br>Cat #: 66793 Model/Part #: P-8-996            | 1        | DRIER                                       |
| 5       | SWITCH-PRESS<br>Cat #: 59244 Model/Part #: P-8-5072    | 1        | "DUAL-LO-IN 25PSIG,OUT<br>55PSIG HI-OUT 410 |
| 8       | VALVE-SERVICE<br>Cat #: 67097 Model/Part #: P-8-2483   | 2        | "LIQUID,5/8""                               |
| 10      | FAN<br>Cat #: 68663 Model/Part #: P-8-6037             | 2        | "5/8"" BORE,22""DIA,4<br>BLADES"            |
| 11      | MOTOR-FAN<br>Cat #: 32639 Model/Part #: P-8-6038       | 2        | "3/4HP,1050RPM,230/60/1"                    |
| 12      | MOUNT-MOTOR<br>Cat #: 86981 Model/Part #: LB-0925      | 2        | FRAME                                       |
| 16      | COIL-INDOOR<br>Cat #: 68669 Model/Part #: 8-6-6881B    | 1        | W/MANIFOLD                                  |
| 17      | VALVE-EXPANSION<br>Cat #: 68263 Model/Part #: P-8-3763 | 1        | VALVE-EXPANSION                             |
| 18      | ELEMENT-THERMO<br>Cat #: 38410 Model/Part #: P-8-2695  | 1        | KIT   |
| 54      | MOUNT PKG-COMP<br>Cat #: 69214 Model/Part #: PR-312    | 1        | MOUNT PKG-COMP                              |
| 56      | COMPRESSOR<br>Cat #: 60L06 Model/Part #: L2D12724F     | 1        | "11TON,440-<br>480/60/3,LENNOX"             |
| 56      | COMPRESSOR<br>Cat #: 60L07 Model/Part #: L2D12724H     | 1        | "11TON,550-<br>600/60/3,LENNOX"             |
| 56      | COMPRESSOR<br>Cat #: 60L05 Model/Part #: L2D12724L     | 1        | "11TON,208-<br>240/60/3,LENNOX"             |
| 59      | TRANSFORMER<br>Cat #: 31570 Model/Part #: P-8-1960     | 1        | "600V PRI,120/240V<br>SEC,2KVA L/FUSE"      |
| 59      | TRANSFORMER<br>Cat #: 31571 Model/Part #: P-8-1961     | 1        | "240/480V PRI,120/240V<br>SEC, 2KVA L/FUSE" |

**DRIVE KITS**

| <b>Callout</b> | <b>Name</b>   | <b>Quantity</b> | <b>Description</b>                          |
|----------------|---|-----------------|---|
| 67             | BELT<br>Cat #: 60540 Model/Part #: P-8-6042         | 2               | "63.3"" ,""A""SECTION"                      |
| 68             | MOTOR-BLOWER<br>Cat #: 32645 Model/Part #: P-8-5700 | 1               | "5HP,1745RPM,230-460/60/3"                  |
| 68             | MOTOR-BLOWER<br>Cat #: 32644 Model/Part #: P-8-5703 | 1               | "5HP,1725RPM,575/60/3"                      |
| 69             | PULLEY-MOTOR<br>Cat #: 56938 Model/Part #: P-8-1496 | 1               | "1-1/8"<br>BORE,5.95""OD, ""A"" OR ""B""SEC |

**PARTS FOR FIRST REVISION BLOWER FRAME**

| <b>Callout</b> | <b>Name</b>   | <b>Quantity</b> | <b>Description</b>                |
|----------------|---|-----------------|-----------------------------------|
|                | MOUNT-BLOWER<br>Cat #: 87301 Model/Part #: PR-355   | 1               | VIBRO<br>INSULATOR(FOOTNOTE<br>3) |
| 43             | SUPPORT<br>Cat #: 50405 Model/Part #: LB-12792      | 2               | SUPPORT SPRING                    |
| 46             | BRACKET<br>Cat #: 53683 Model/Part #: LB-10930DA    | 1               | "ADJ,RIGHT,27-1/8"""              |
| 48             | FRAME ASSY<br>Cat #: 50294 Model/Part #: LB-44473BB | 1               | BEARING(FOOTNOTE<br>2)            |
| 49             | BASE-MOTOR<br>Cat #: 53607 Model/Part #: LB-11061   | 1               | BASE FRAME                        |
| 50             | ROD-HINGE<br>Cat #: 86758 Model/Part #: LB-0185     | 2               | ROD-HINGE                         |
| 51             | BRACKET<br>Cat #: 53684 Model/Part #: LB-10930DB    | 1               | "ADJ,LEFT,27-1/8"""               |

**Note:**

Note1: BLOWER FRAME CHANGE BETWEEN FIRST AND SECOND REVISION OCCURRED WITHIN -6 PRODUCTION. FIRST REVISION BLOWER FRAME USED ON UNITS WITH SERIAL NO.

5475H02773 OR LOWER. SECOND REVISION BLOWER FRAME USED ON UNITS WITH SERIAL NO. 5475H02774 OR HIG Note2: IF THIS PART IS ORDERED, YOU MUST ALSO ORDER PR-355.

Note3: SPRINGS MUST BE REPLACED WITH VIBRO INSULATORS.