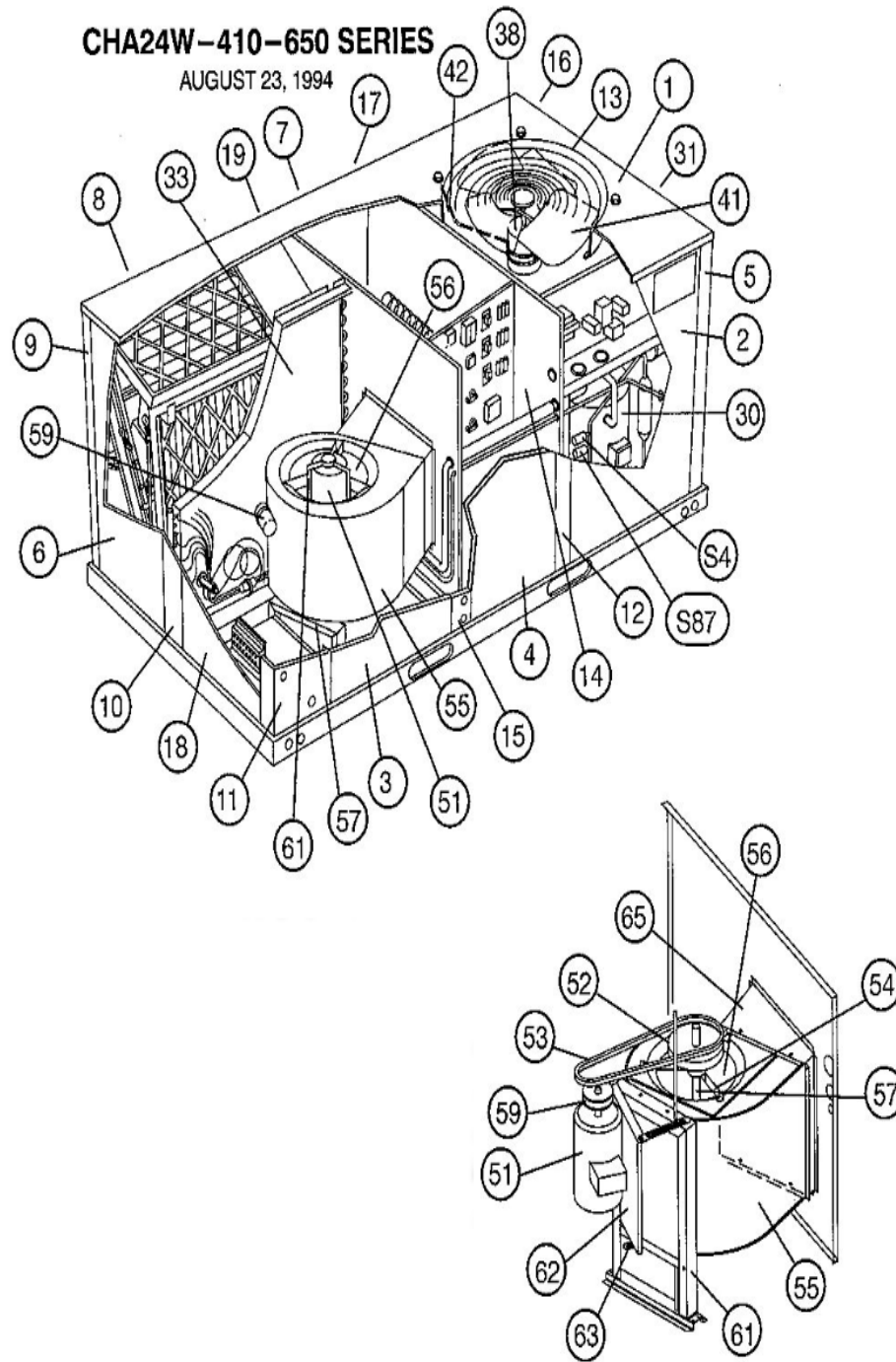


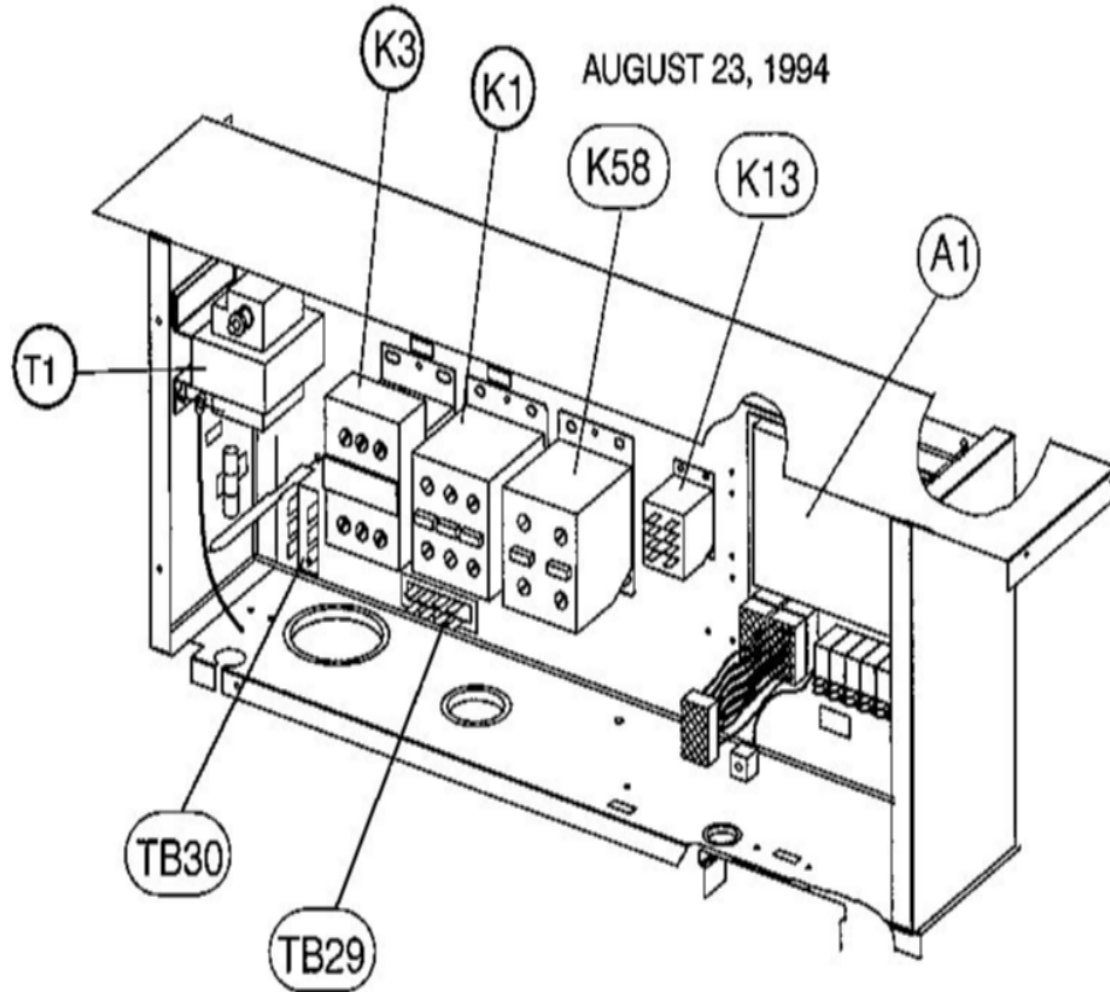
CHA24W-410-650 SERIES

AUGUST 23, 1994



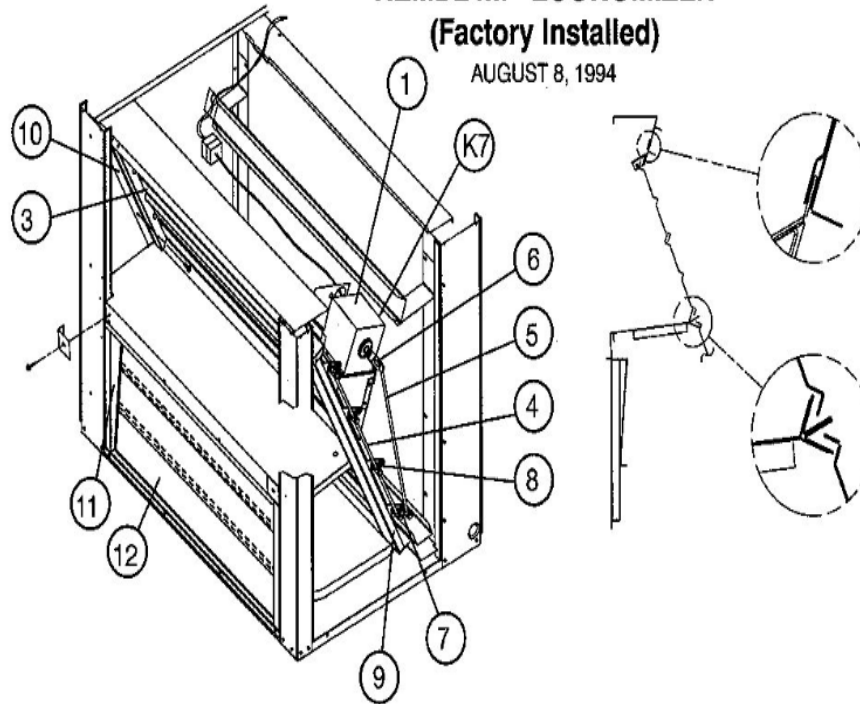
CHA24W-410-650 CONTROL PANEL

AUGUST 23, 1994

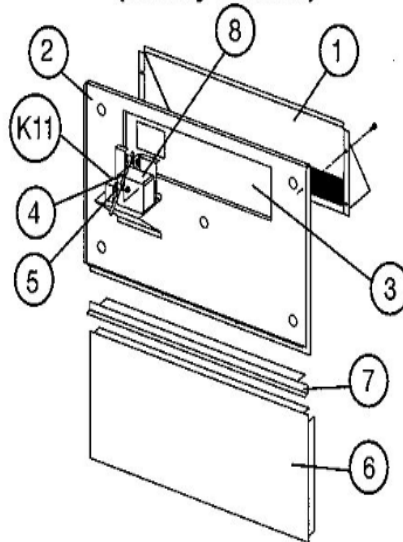


REMD24M-ECONOMIZER (Factory Installed)

AUGUST 8, 1994



OUTSIDE AIR DAMPER (Factory Installed)



| Callout | Name | Quantity | Description |
|----------------|--|-----------------|-------------------------|
| | THERMOSTAT Cat #: 36G62 Model/Part #: 36G6201 | 1 | ROOM |
| | THERMOSTAT Cat #: 36G64 Model/Part #: 36G6401 | 1 | REMOTE |
| | THERMOSTAT Cat #: 36G67 Model/Part #: 36G6701 | 1 | T5010 PRO STAT |
| | SENSOR Cat #: 36G68 Model/Part #: 36G6801 | 1 | REMOTE |
| | THERMOSTAT Cat #: 43C78 Model/Part #: 43C7801 | 1 | THERMOSTAT |
| | RELAY Cat #: 36G37 Model/Part #: 43G0601 | 1 | "4PDT,24V" |
| | RELAY Cat #: 43G49 Model/Part #: 43G4901 | 3 | "DPDT,24V" |
| | CLOCK-TIME Cat #: 43G98 Model/Part #: 43G9801 | 1 | 7 DAY |
| | CLOCK-TIME Cat #: 43G99 Model/Part #: 43G9901 | 1 | 24 HR |
| | RELAY Cat #: 43G49 Model/Part #: 54G4501 | 1 | "DPDT,24V(60 HZ ONLY)" |
| | SENSOR Cat #: 58C92 Model/Part #: 58C9201 | 1 | WALL MOUNT |
| | SUBBASE Cat #: 58C93 Model/Part #: 58C9301 | 1 | SWITCHING- REMOTE |
| | SUBBASE Cat #: 58C94 Model/Part #: 58C9401 | 1 | SWITCHING |
| | THERMOSTAT Cat #: 81G59 Model/Part #: 81G5901 | 1 | T7300 |
| | SUBBASE Cat #: 81G60 Model/Part #: 81G6001 | 1 | SWITCHING |
| | SENSOR Cat #: 86G67 Model/Part #: 86G6701 | 1 | ROOM TEMP W/OVERRIDE |
| | RELAY | 1 | "4PDT,24V" |

| Callout | Name | Quantity | Description |
|----------------|--|-----------------|------------------------------|
| | Cat #: 87F8401 Model/Part #: 87F8401 | | |
| | FREEZSTAT Cat #: 93G35 Model/Part #: 93G3501 | 2 | "SPST-OPEN 36,CLOSE 58" |
| | THERMOSTAT Cat #: 97H52 Model/Part #: 97H5201 | 1 | ELEC-MODULE |
| | SENSOR Cat #: 97H53 Model/Part #: 97H5301 | 1 | ROOM AIR |
| | SENSOR Cat #: 97H54 Model/Part #: 97H5401 | 1 | DISCHARGE |
| | THERMOSTAT Cat #: LB-61178DA Model/Part #: LB-61178DA | 1 | MONITOR |
| | PANEL-RELAY Cat #: 15H05 Model/Part #: LB-61601CA | 1 | RELAY S.A. |
| | PLATE Cat #: LB-63405DB Model/Part #: LB-63405DB | 1 | REMOTE SENSOR |
| | HARNESS-WIRING Cat #: 76H93 Model/Part #: LB-63547CA | 1 | WIRE HARNESS, P39, J39 SA |
| | TEE Cat #: 87071 Model/Part #: P-8-10569 | 1 | SCHRADER DEPRESSOR |
| | PLUG Cat #: 57A25 Model/Part #: P-8-10686 | 1 | PLUG-3 CIRCUIT |
| | NUT Cat #: 59498 Model/Part #: P-8-1218 | 2 | FLARE |
| | KNOB-DIAL Cat #: 6882 Model/Part #: P-8-3096 | 1 | FOR THERMOSTAT |
| | CAP-SEAL Cat #: 58114 Model/Part #: P-8-3187 | 1 | CAP, BRASS |
| | FITTING Cat #: 59784 Model/Part #: P-8-4934 | 2 | STRAIN RELIEF |
| | SWITCH-LO PRESS Cat #: 68493 Model/Part #: P-8-6383 | 1 | "IN 285PSIG,OUT 140PSIG" |

BLOWER PARTS

| Callout | Name | Quantity | Description |
|----------------|---|-----------------|---|
| | PLATE-CUTOFF Cat #: 21917 Model/Part #: LB-13363 | 1 | CUTOFF PLATE |
| | KEY Cat #: 41G52 Model/Part #: LB-21259D | 1 | KEY |
| | BASE-MOTOR Cat #: 46G35 Model/Part #: LB-54480CA | 1 | BASE SA MOTOR FRAME |
| | SHAFT-BLOWER Cat #: 41G51 Model/Part #: LB-54482C | 1 | "1""DIA,23"" |
| | BRACKET Cat #: 50G10 Model/Part #: LB-54537D | 2 | ADJUSTING-BLOWER MOUNT |
| | BELT Cat #: 61102 Model/Part #: P-8-7672 | 1 | "47.3"" ,""A"" SECTION" |
| 32 | MOUNT-BLOWER Cat #: 56G20 Model/Part #: LB-54797CA | 1 | FRAME BLOWER SUB ASSY |
| 33 | HOUSING-BLOWER Cat #: 84G94 Model/Part #: LB-54481CA | 1 | BLOWER SUB ASSY |
| 34 | WHEEL-BLOWER Cat #: 21750 Model/Part #: LB-29333BW | 1 | "1""BORE,12-5/8""X12-5/8"" |
| 35 | PULLEY-BLOWER Cat #: 23G84 Model/Part #: 23G8401 | 1 | "1""BORE,7-1/4"" O.D.,SINGLE GROOVE" |
| 36 | MOTOR-BLOWER Cat #: 23G40 Model/Part #: 23G4001 | 1 | "2HP,1725RPM,200-230/460/60/3" |
| 37 | PULLEY-MOTOR Cat #: 56930 Model/Part #: P-8-1488 | 1 | "7/8""BORE,4.15""O.D.,""A-B"" SECT" |
| 38 | BEARING Cat #: 86H56 Model/Part #: 86H5601 | 2 | "1""BALL-2-1/2""O.D." |
| 39 | BRACKET Cat #: 86H55 Model/Part #: 86H5501 | 2 | BEARING-1 PC |

CABINET PARTS

| Callout | Name | Quantity | Description |
|----------------|--|-----------------|---------------------------------|
| | GROMMET Cat #: 33G32 Model/Part #: 33G3201 | 1 | FRONT BLOWER SECTION-MULLION |
| | FILTER-AIR Cat #: 56G46 Model/Part #: P-8-10876 | 4 | "16""X20""X2"" ,SLAB" |
| | CLIP Cat #: 41G21 Model/Part #: P-8-158 | 2 | CLIP-FILTER |
| 1 | PANEL Cat #: 65H75 Model/Part #: LB-54544CA | 1 | DIVISION |
| 2 | PANEL Cat #: 92G57 Model/Part #: LB-50890CA | 1 | END |
| 3 | PANEL Cat #: 44G46 Model/Part #: LB-54785CA | 1 | COMPRESSOR ACCESS |
| 4 | PANEL Cat #: 49G84 Model/Part #: LB-54364CB | 1 | BLOWER ACCESS |
| 5 | PANEL Cat #: 75G90 Model/Part #: LB-54364CG | 2 | HEAT SECTION |
| 6 | PANEL Cat #: 52G00 Model/Part #: LB-54364CC | 1 | FILTER ACCESS |
| 7 | PANEL-TOP Cat #: 31H65 Model/Part #: LB-54369CC | 1 | PANEL S.A. TOP |
| 8 | MULLION Cat #: 94G62 Model/Part #: LB-54382CA | 1 | REAR-CONDENSOR SECTION |
| 9 | MULLION Cat #: 88G38 Model/Part #: LB-54388CA | 1 | FRONT-CONDENSOR SECTION |
| 10 | MULLION Cat #: 85G18 Model/Part #: LB-54390CA | 1 | LEFT-FRONT |
| 11 | MULLION Cat #: 85G17 Model/Part #: LB-54380CA | 1 | LEFT-REAR |
| 12 | MULLION Cat #: 14H88 Model/Part #: LB-54384CA | 1 | REAR-HEAT SECTION |
| 13 | MULLION Cat #: 49G83 Model/Part #: LB-54386CA | 1 | FRONT-BLOWER SECTION |
| 14 | RETAINER-FILTER | 8 | FILTER RETAINER |

| Callout | Name | Quantity | Description |
|---------|--|----------|------------------|
| | Cat #: 66H01 Model/Part #: LB-57356D | | |
| 15 | GRILLE-DISCHARGE Cat #: 47C97 Model/Part #: LB-34250C | 1 | GRILLE-DISCHARGE |
| 15A | RING-ORIFICE Cat #: 51G71 Model/Part #: LB-56338C | 1 | ORIFICE-24" |

CONTROL PANEL PARTS

| Callout | Name | Quantity | Description |
|---------|--|----------|---------------------------------------|
| | FUSE Cat #: 71G35 Model/Part #: 71G3501 | 1 | "N3 TYPE,3.5AMP,125V" |
| A1 | THERMOSTAT Cat #: 97H52 Model/Part #: 97H5201 | 1 | ELEC- MODULE(NOVAR) |
| K10 | RELAY Cat #: 43H89 Model/Part #: 43H8901 | 1 | "DPDT,24V" |
| K2/K1 | CONTACTOR Cat #: 38393 Model/Part #: P-8-7736 | 2 | "3PDT,24V" |
| K3 | CONTACTOR-3PDT Cat #: 10G19 Model/Part #: 10G1901 | 1 | "BLOWER- 3PDT,24V" |
| S3 | CONTROL-LIMIT Cat #: 43G36 Model/Part #: 43G3601 | 1 | "SPST,OPEN 40F,CLOSE 50F" |
| T1 | TRANSFORMER Cat #: 65G49 Model/Part #: 65G4901 | 1 | "208/230V PRI,24V SEC,70VA W/FUSE" |
| T1 | TRANSFORMER Cat #: 65G50 Model/Part #: 65G5001 | 1 | "460V PRI,24V SEC,70VA,W/FUSE" |

COOLING PARTS

| Callout | Name | Quantity | Description |
|---------|---|----------|-------------|
| | HEATER- CRANKCASEINTERNAL(FOOTNOTE 1) Cat #: Model/Part #: | 1 | |
| | BRACKET-MTR MTG | 1 | FAN MOTOR |

| Callout | Name | Quantity | Description |
|---------|---|----------|---|
| | Cat #: 45F27 Model/Part #: 45F2701 | | |
| | CLIP Cat #: 76G09 Model/Part #: 76G0901PR | 1 | PKG(OUTDOOR COIL) |
| | KIT-COMPR MTG Cat #: 87F70 Model/Part #: 87F7001PR | 1 | MOUNT PKG-COMP |
| | FREEZSTAT Cat #: 93G35 Model/Part #: 93G3501 | 1 | THERMOSTAT |
| | SENSOR Cat #: 97H53 Model/Part #: 97H5301 | 1 | ROOM AIR(NOVAR-LOCATED IN FILTER COMPART |
| | NIPPLE Cat #: 66H08 Model/Part #: LB- 54542D | 1 | "DRAIN PAN(3/4")" |
| | DISTRIBUTOR ASSY Cat #: 64G21 Model/Part #: LB- 58067CA | 2 | DISTRIBUTOR S.A. |
| | NIPPLE Cat #: LB-69100 Model/Part #: LB-69100 | 1 | "DRAIN PAN(1")" |
| | PLUG Cat #: 57A25 Model/Part #: P-8- 10686 | 1 | RETURN AIR(NOVAR-LOCATED IN FILTER COMPA |
| | DISTRIBUTOR Cat #: 87258 Model/Part #: P-8- 10820 | 2 | "LIQUID LINE,L/TUBES" |
| | DISTRIBUTOR Cat #: 87266 Model/Part #: P-8- 10979 | 2 | "DISCHARGE LINES,L/TUBES" |
| | CAP-SEAL Cat #: 66817 Model/Part #: P-8- 1401 | 8 | FITTING-PRESSURE TAP |
| | VALVE CORE | 4 | VALVE, CORE 8075910047 |

| Callout | Name | Quantity | Description |
|---------|---|----------|------------------------------|
| | Cat #: 66820 Model/Part #: P-8-1897 | | |
| | CAP-SEAL Cat #: 58114 Model/Part #: P-8-3187 | 4 | CAP, BRASS |
| | SHIELD-RAIN Cat #: 32621 Model/Part #: P-8-6142 | 1 | SHIELD, MOTOR |
| 16 | CAPACITOR-FAN MTR Cat #: 96C44 Model/Part #: 96C4401 | 1 | "20MFD,370VAC(208/230/460V)" |
| 17 | COIL-OUTDOOR Cat #: 91H67 Model/Part #: LB-58074BC | 1 | W/MANIFOLD |
| 18 | COIL-INDOOR Cat #: 91H65 Model/Part #: LB-58052CM | 1 | "TOP,W/MANIFOLD-2ND STG" |
| 19 | COIL-INDOOR Cat #: 91H66 Model/Part #: LB-58052CN | 1 | "BOTT,W/MANIFOLD-1ST STG" |
| 20 | PAN-DRAIN Cat #: 75H97 Model/Part #: LB-81749CB | 1 | PAN S.A. #1, DRAIN |
| 21 | SUPPORT-COIL Cat #: 66H09 Model/Part #: LB-54355D | 1 | END |
| 22 | SUPPORT-COIL Cat #: 66H10 Model/Part #: LB-54353D | 1 | REAR |
| 23 | DRIER Cat #: 12L71 Model/Part #: 12L7101 | 2 | LIQUID LINE |
| 23 | DRIER Cat #: 63C98 Model/Part #: 63C9801 | 2 | SUCTION LINE |
| 24 | WELL-THERMOMETER | 2 | LIQUID LINE |

| Callout | Name | Quantity | Description |
|---------|---|----------|--|
| | Cat #: 46G26 Model/Part #: LB-54392CH | | |
| 25 | VALVE-EXPANSION Cat #: 62A48 Model/Part #: 62A4801 | 2 | INDOOR-BOTTOM & TOP |
| 26 | SWITCH-LO PRESS Cat #: 85C23 Model/Part #: 85C2301 | 2 | "DISCHARGE LINE,CUTOUT 25PSIG" |
| 27 | SWITCH-HI PRESS Cat #: 85C87 Model/Part #: 85C8701 | 2 | "DISCHARGE LINE,CUTOUT 410PSIG" |
| 28 | SUPPORT-COIL Cat #: 66H11 Model/Part #: LB-54472D | 1 | RIGHT-I.D. |
| 29 | SUPPORT-COIL Cat #: 66H12 Model/Part #: LB-54479CA | 1 | "LEFT-I.D.,W/DRIP SHIELD" |
| 30 | MOTOR-FAN Cat #: 16F20 Model/Part #: 16F2001 | 1 | "3/4HP,1060RPM,208-230/60/1" |
| 30 | MOTOR-FAN Cat #: 16F21 Model/Part #: 16F2101 | 1 | "3/4HP,1060RPM,460/60/1" |
| 31 | FAN Cat #: 54G30 Model/Part #: 54G3001 | 1 | "1/2""BORE,24""DIA,4 BLADE" |
| A2 | SENSOR Cat #: 97H54 Model/Part #: 97H5401 | 1 | RETURN AIR(NOVAR-LOCATED IN FILTER COMPA |
| B1 | COMPRESSOR Cat #: 21J61 Model/Part #: 21J6101 | 1 | "4TON,200-230/60/3,BRIS (1ST STAGE)" |
| B1 | COMPRESSOR Cat #: 21J62 Model/Part #: 21J6201 | 1 | "4TON,460/60/3,BRIS (1ST STAGE)" |
| B2 | COMPRESSOR | 1 | "3-1/2TON,200-230/60/3,BRIS |

| Callout | Name | Quantity | Description |
|----------------|--|-----------------|--|
| | Cat #: 21J67 Model/Part #: 21J6701 | | (2ND STAGE)" |
| B2 | COMPRESSOR Cat #: 21J68 Model/Part #: 21J6801 | 1 | "3-1/2TON,460/60/3,BRIS (2ND STAGE)" |
| RT1 | SENSOR Cat #: 97H54 Model/Part #: 97H5401 | 1 | DISCHARGE(NOVAR-LOCATED IN FILTER COMPAR |
| S27 | SWITCH Cat #: 27H68 Model/Part #: 27H6801 | 1 | DIRTY FILTER(NOVAR-LOCATED IN FILTER COM |
| S52 | SWITCH Cat #: 27H67 Model/Part #: 27H6701 | 1 | AIR FLOW(NOVAR-LOCATED IN FILTER COMPART |

ELECTRIC HEATING PARTS

| Callout | Name | Quantity | Description |
|----------------|--|-----------------|------------------------------------|
| | KNOB Cat #: 10B9101 Model/Part #: 10B9101 | 1 | MAKEUP BOX COVER |
| | BLOCK-TERMINAL Cat #: 48G11 Model/Part #: 48G1101 | 1 | MAKEUP BOX |
| | BUSHING-SNAP Cat #: 68H30 Model/Part #: P-8-10765 | 2 | MAKEUP BOX |
| | FUSE Cat #: 37811 Model/Part #: P-8-2220 | 3 | "FRS TYPE,30AMP,600V (460V UNITS)" |
| | FUSE Cat #: 60566 Model/Part #: P-8-5813 | 3 | "FRS TYPE,25AMP,600V (575V UNITS)" |
| | BLOCK,FUSE Cat #: 37912 Model/Part #: P-8-5848 | 1 | "FOR 60AMP,250V (208/230V UNITS)" |
| | FUSE Cat #: 37916 Model/Part #: P-8-5852 | 3 | "FRN TYPE,60AMP,250V (208/230V |

| Callout | Name | Quantity | Description |
|----------------|---|-----------------|--|
| | | | UNITS)" |
| | BLOCK-FUSE Cat #: 60565 Model/Part #: P-8-7158 | 1 | "FOR 30AMP,600V (460V & 575V UNITS)" |
| | GROMMET Cat #: 36C66 Model/Part #: P-8-7324 | 3 | MAKEUP BOX |

Note:

Note1: SEE FIELD REPLACEMENT CRANKCASE HEATER CHART ON CRL CARD.