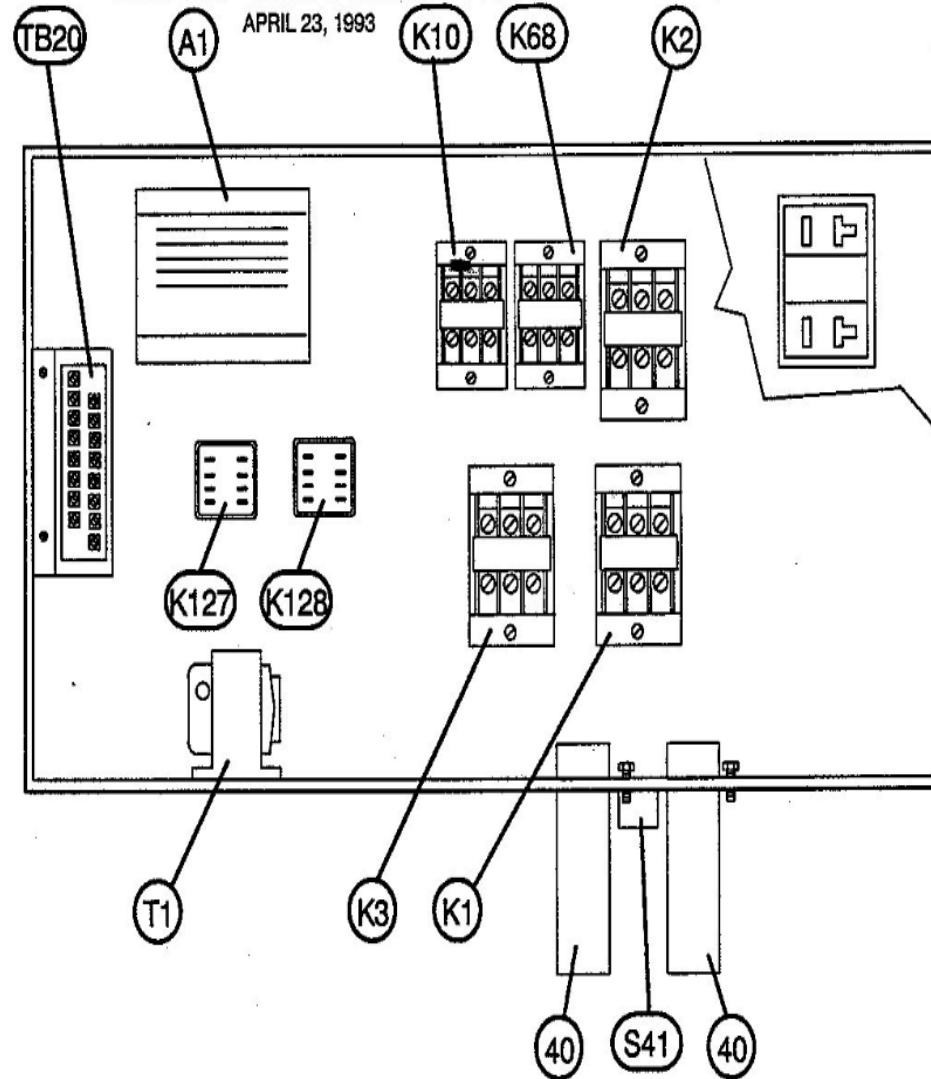
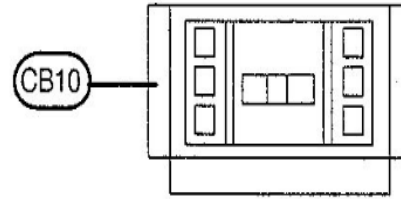


CHA24W-1353 CONTROL PANEL

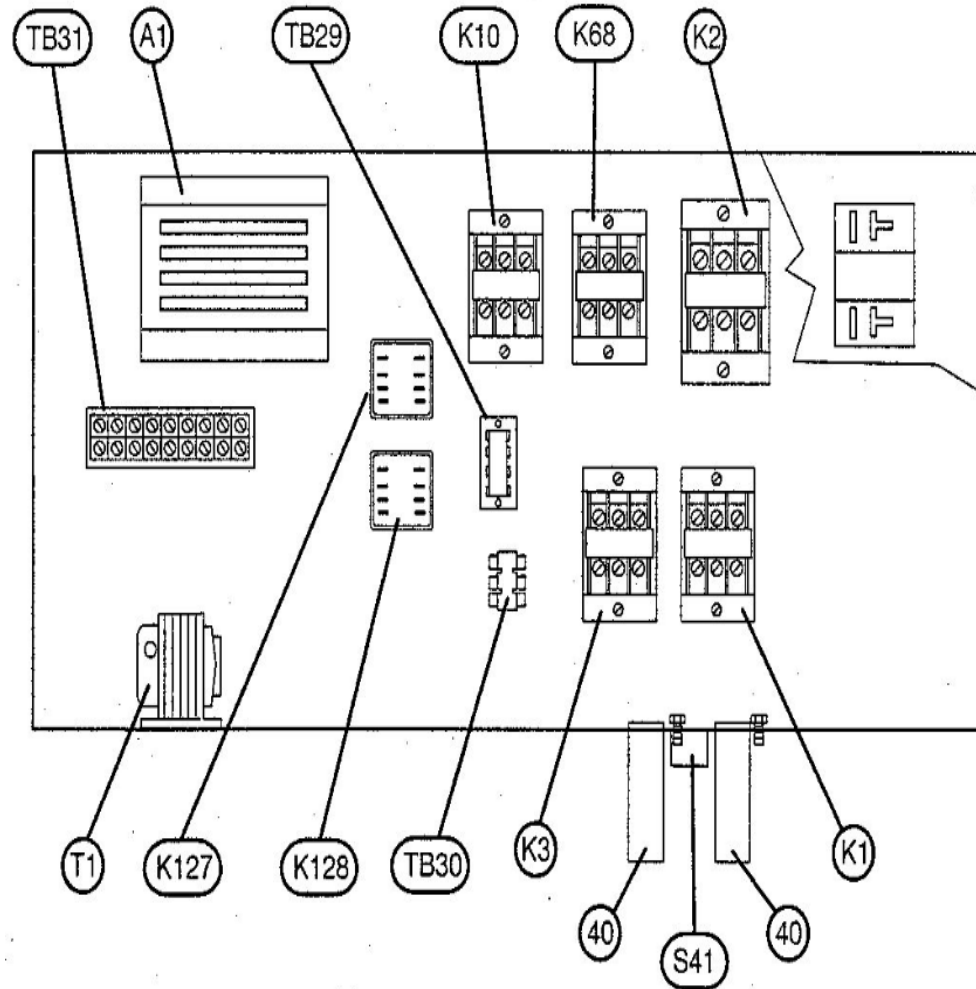
APRIL 23, 1993





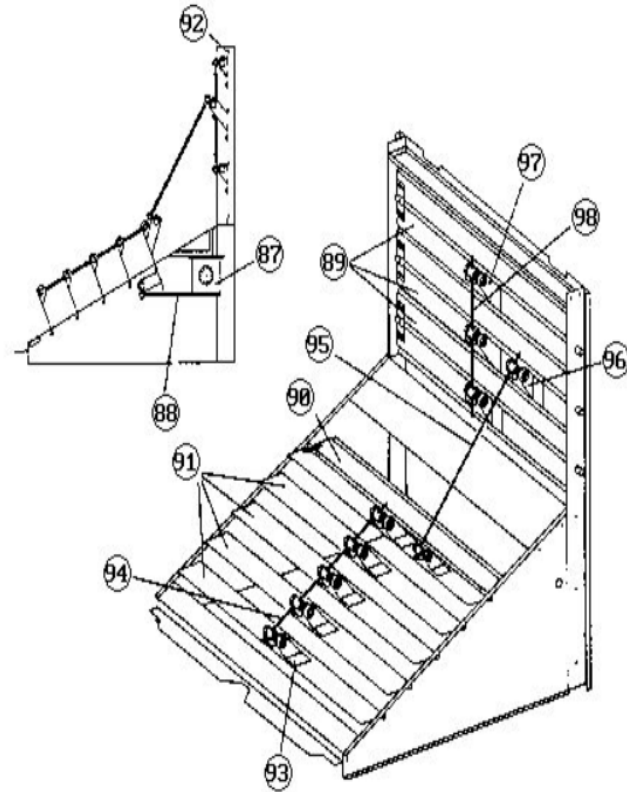
CHA24W-1353 CONTROL PANEL (-2 UNITS)

FEBRUARY 4, 1994



CHA24W-1353 ECONOMIZER

February 15, 1994 COOLING-PACKAGED

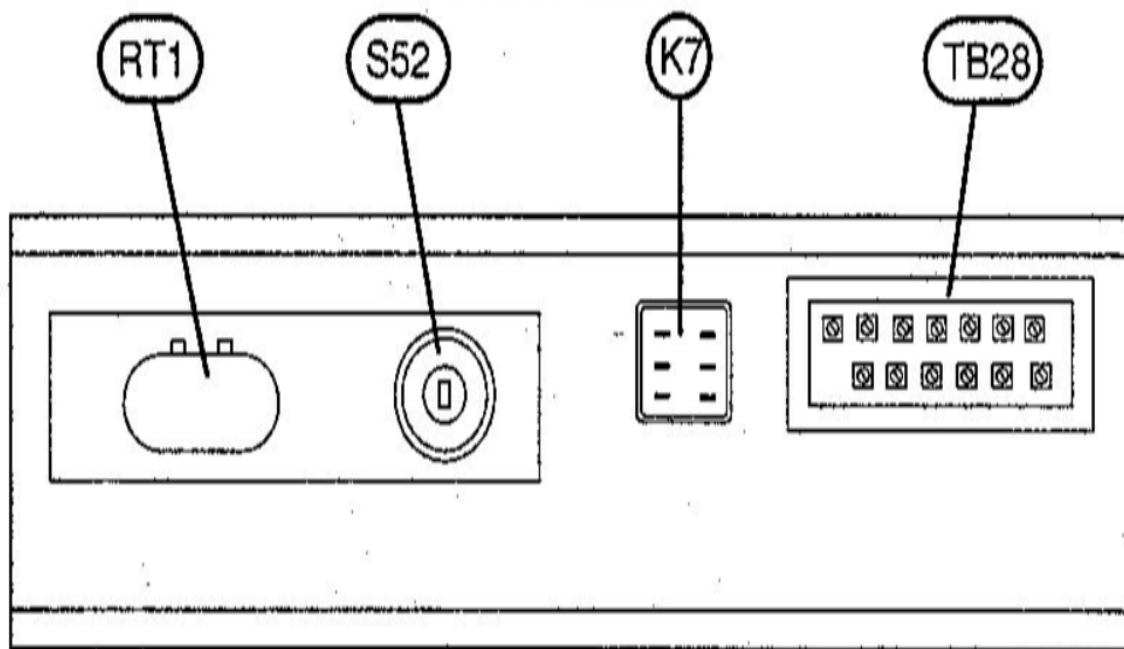


CHA24-7



CHA24W-1353 NOVAR CONTROL PANEL (Filter Compartment)

FEBRUARY 4, 1994



Revision Number - 2

BLOWER PARTS

Callout	Name	Quantity	Description
	BELT Cat #: 13H01 Model/Part #: 13H0101	1	"52.3"" , ""A"" SECTION"
	KEY Cat #: 41G52 Model/Part #: LB-21259D	1	KEY
	PLATE-CUTOFF Cat #: 21803 Model/Part #: LB-4279	1	CUT OFF PLATE (6 pcs bIk)
	BASE-MOTOR Cat #: 46G35 Model/Part #: LB-54480CA	1	BASE SA MOTOR FRAME
	SHAFT-BLOWER Cat #: 41G51 Model/Part #: LB-54482C	1	"1""DIA.,23""LENGTH"
	BRACKET Cat #: 50G10 Model/Part #: LB-54537D	2	ADJUSTING-BLOWER MOUNT
	SUPPORT Cat #: 60G18 Model/Part #: LB-54956D	1	BLOWER
	BAFFLE Cat #: 50G43 Model/Part #: LB-54958C	1	BLOWER
	COVER Cat #: 60G17 Model/Part #: LB-55485C	1	INLET
32	MOUNT-BLOWER Cat #: 50G44 Model/Part #: LB-54797CB	1	FRAME - BLOWER SUB ASSY
33	HOUSING-BLOWER Cat #: 49G96 Model/Part #: LB-54481CB	1	BLOWER S.A.
34	WHEEL-BLOWER Cat #: 66656 Model/Part #: LB-29333BAC	1	"1"" BORE,15' X 15""
35	PULLEY-BLOWER Cat #: 53J16 Model/Part #: 53J1601	1	"1""BORE,8-1/4""O.D.,SGL GROOVE"
36	MOTOR-BLOWER Cat #: 23G41 Model/Part #: 23G4101	1	"3HP,1725RPM,200-230/460/60/3"
36	MOTOR-BLOWER Cat #: 43G32 Model/Part #: 43G3201	1	"3HP,1725RPM,575/60/3"

Callout	Name	Quantity	Description
37	PULLEY Cat #: 53J15 Model/Part #: 53J1501	1	"7/8""BORE,4-3/4""O.D.,""A""SEC"
38	BEARING Cat #: 66020 Model/Part #: P-5-84	2	"1"" BORE"
39	BRACKET Cat #: 46G41 Model/Part #: LB-56689CB	2	BEARING
50	ADAPTER Cat #: 50G41 Model/Part #: LB-54947BA	1	BLOWER-REAR
51	ADAPTER Cat #: 50G42 Model/Part #: LB-55043B	1	BLOWER

CABINET PARTS

Callout	Name	Quantity	Description
	CLIP-FILTER Cat #: 18H68 Model/Part #: 18H6801	2	FILTER RETAINER
	CAM-HANDLE Cat #: 53J55 Model/Part #: 53J5501	1	ACCESS PANELS
	HANDLE Cat #: 53J56 Model/Part #: 53J5601	1	ACCESS PANELS
	LATCH Cat #: 98G94 Model/Part #: 98G9401	1	COVER-CTL PANEL
	SEAL Cat #: 64J60 Model/Part #: LB-54905D	1	I.D. COND-TOP
	FILTER-AIR Cat #: 56A60 Model/Part #: P-8-10875	4	"16"" X 25"" X 2"" ,SLAB"
1	PANEL Cat #: 50J25 Model/Part #: LB-54544CD	1	DIVISION
2	PANEL Cat #: LB-50890CE Model/Part #: LB-50890CE	1	END
3	PANEL Cat #: LB-54364CT Model/Part #: LB-54364CT	1	FILTER ACCESS- LOWER
4	PANEL	1	BLOWER

Callout	Name	Quantity	Description
	Cat #: LB-86216A Model/Part #: LB-86216A		SECTION
5	PANEL Cat #: 75G91 Model/Part #: LB-54364CH	1	HEAT SECTION(REAR)
5	PANEL Cat #: LB-86180A Model/Part #: LB-86180A	1	HEAT SECTION(FRONT)
6	PANEL Cat #: 68H59 Model/Part #: LB-63440A	1	FILTER ACCESS- UPPER(B&C UNIT)
6	PANEL Cat #: 72L00 Model/Part #: LB-87644A	1	FILTER ACCESS- UPPER
7	PANEL-TOP Cat #: 50J27 Model/Part #: LB-54901CL	1	REAR
7A	PANEL-TOP Cat #: LB-54900CL Model/Part #: LB-54900CL	1	FRONT
8	MULLION Cat #: 50J24 Model/Part #: LB-54382CE	1	REAR- CONDENSOR SECTION
9	MULLION Cat #: LB-86173A Model/Part #: LB-86173A	1	FRONT- CONDENSOR SECTION
10	POST-CORNER Cat #: 50J29 Model/Part #: LB-55058CC	1	LEFT-FRONT
11	POST-CORNER Cat #: 50J23 Model/Part #: LB-54380CC	1	LEFT-REAR
12	MULLION Cat #: 85G58 Model/Part #: LB-54384CB	1	REAR-HEAT SECTION
13	MULLION Cat #: LB-86172A Model/Part #: LB-86172A	1	FRONT-BLOWER SECTION
14	RETAINER-FILTER Cat #: 15H25 Model/Part #: LB-57278D	8	REPAIR RETAINER, FILTER
15	GUARD-FAN Cat #: 40F06 Model/Part #: 40F0601	2	GUARD-FAN
15A	RING-ORIFICE	2	ORIFICE 22"

Callout	Name	Quantity	Description
	Cat #: 95G77 Model/Part #: LB-59046C		
16	COVER-CONTROL BOX Cat #: 50J68 Model/Part #: LB-65322A	1	CONTROL BOX COVER S.A.
17	PANEL Cat #: 50J67 Model/Part #: LB-65310	1	LEFT-REAR UPPER
18	GRILLE Cat #: 31J65 Model/Part #: 31J6501	2	LEFT FRONT & REAR

CONTROL PANEL PARTS

Callout	Name	Quantity	Description
	BOARD-TRANSITION Cat #: 52J25 Model/Part #: 52J2501	1	"("A" UNITS)"
	BOARD-TRANSITION Cat #: 53J27 Model/Part #: 53J2701	1	"("B" UNITS)"
	BUSHING-SNAP Cat #: 62A32 Model/Part #: 62A3201	2	BUSHING, SNAP 1" ID X 1-3/8" P/ HOLE
40	CAPACITOR Cat #: 81A40 Model/Part #: 81A4001	2	"10 MFD,370 VAC"
40	CAPACITOR Cat #: 53H05 Model/Part #: 96C4201	2	"12.5 MFD,370 VAC"
A1	MODULE Cat #: 18H26 Model/Part #: 18H2601	1	"THERMOSTAT,24V(A UNITS)"
A1	MODULE Cat #: 51H77 Model/Part #: 51H7701	1	"THERMOSTAT,24V(B UNITS)"
CB10	CIRCUIT BREAKER Cat #: 37J82 Model/Part #: 37J8201	1	600V(-00 UNITS)
CB10	CIRCUIT BREAKER Cat #: 37J83 Model/Part #: 37J8301	1	600V(-20 UNITS)
CB10	CIRCUIT BREAKER Cat #: 37J84 Model/Part #: 37J8401	1	600V(-30 UNITS)
CB10	CIRCUIT BREAKER Cat #: 37J85 Model/Part #: 37J8501	1	600V(-50 UNITS)

Callout	Name	Quantity	Description
CB10	BREAKER-CIRCUIT Cat #: 51H81 Model/Part #: 51H8101	1	480V(-50 UNITS)
CB10	BREAKER-CIRCUIT Cat #: 51H82 Model/Part #: 51H8201	1	480V(-00 UNITS)
CB10	BREAKER-CIRCUIT Cat #: 58H35 Model/Part #: 58H3501	1	480V(-20 UNITS)
CB10	BREAKER-CIRCUIT Cat #: 74H72 Model/Part #: 74H7201	1	480V(-30 UNITS)
K1	CONTACTOR Cat #: 57J95 Model/Part #: 57J9501	1	"3PDT,24V"
K10	CONTACTOR Cat #: 21J03 Model/Part #: 21J0301	1	"OUTDOOR FAN 2- 2PDT,24V"
K127	RELAY Cat #: 37H96 Model/Part #: 37H9601	1	"LOW AMBIENT,DPDT,24V"
K128	RELAY Cat #: 37H96 Model/Part #: 37H9601	1	"LOW AMBIENT,DPDT,24V"
K2	CONTACTOR Cat #: 57J95 Model/Part #: 57J9501	1	"3PDT,24V"
K3	CONTACTOR Cat #: 57J95 Model/Part #: 57J9501	1	"3PDT,24V"
K68	CONTACTOR Cat #: 21J03 Model/Part #: 21J0301	1	"OUTDOOR FAN 2- 2PDT,24V"
S41	THERMOSTAT Cat #: 31J63 Model/Part #: 31J6301	1	LOW AMBIENT
T1	TRANSFORMER Cat #: 51H79 Model/Part #: 51H7901	1	"480V PRI,24V SEC,70VA,L/FUSE"
T1	TRANSFORMER Cat #: 66J54 Model/Part #: 66J5401	1	"600V PRI,24V SEC,70VA,L/FUSE"
TB29	STRIP-TERMINAL Cat #: 53J92 Model/Part #: 53J9201	1	TERMINAL BOARD
TB30	TERMINAL-STRIP Cat #: 36F51 Model/Part #: 36F5101	1	STRIP, TERMINAL TAB-DISCONNECT
TB31	STRIP-TERMINAL	1	TERMINAL STRIP

Callout	Name	Quantity	Description
	Cat #: 58158 Model/Part #: P-8-3400		

COOLING PARTS

Callout	Name	Quantity	Description
	RELAY-OVERLOADCOMP-INTERNAL Cat #: Model/Part #:	2	
	SWITCH-LO PRESS Cat #: 11G09 Model/Part #: 11G0901	2	"OUT 25 PSIG,IN 55 PSIG"
	MOUNT PKG-COMP Cat #: 54M63 Model/Part #: 15J1301PR	2	MOUNT PKG-COMP
	HEATER-CRANKCASE Cat #: 31J21 Model/Part #: 31J2101	2	EXTERNAL(460V)
	HEATER-CRANKCASE Cat #: 42J85 Model/Part #: 42J8501	2	EXTERNAL(575V)
	SENSOR Cat #: 56L63 Model/Part #: 48G6301	1	MIXED AIR(LOCATED IN FILTER COMPARTMENT)
	DETECTOR-SMOKE Cat #: 51H51 Model/Part #: 51H5101	1	(LOCATED IN FILTER COMPARTMENT)
	TUBE-SAMPLING Cat #: 51H52 Model/Part #: 51H5201	1	SMOKE DETECTOR(LOCATED IN FILTER COMPART)
	FITTING PRESS TAP Cat #: 86G64 Model/Part #: 86G6401	4	FITTING, PRESSURE TAP
	FREEZSTAT Cat #: 93G35 Model/Part #: 93G3501	2	THERMOSTAT
	DISTRIBUTOR ASSY Cat #: 64G22 Model/Part #: LB-58067CB	2	DISTRIBUTOR S.A.
	PLATE Cat #: 77J54 Model/Part #: LB-63405DA	1	REMOTE RT1(NOVAR-LOCATED IN FILTER COMPA
	NIPPLE Cat #: 67J33 Model/Part #: LB-65822	1	DRAIN PAN

Callout	Name	Quantity	Description
	TRAP Cat #: 13K78 Model/Part #: LB-65843B	1	CONDENSATE ASSY
	PAN-DRAIN Cat #: 55H09 Model/Part #: LB-81145CB	1	PAN S.A. #2, DRAIN
	SHIELD-DRAIN PAN Cat #: 73J99 Model/Part #: LB-85434A	1	INCLUDES SUPPORT
	VALVE CORE Cat #: 66820 Model/Part #: P-8-1897	10	VALVE, CORE 8075910047
	CAP-SEAL Cat #: 58114 Model/Part #: P-8-3187	4	CAP, BRASS
	SHIELD-RAIN Cat #: 32621 Model/Part #: P-8-6142	2	SHIELD, MOTOR
23	DRIER Cat #: 63C99 Model/Part #: 63C9901	2	SUCTION LINE
23	DRIER Cat #: 69H10 Model/Part #: 69H1001	2	LIQUID LINE
24	WELL-THERMOMETER Cat #: 46G26 Model/Part #: LB-54392CH	2	LIQUID LINE
25	VALVE-EXPANSION Cat #: 31J32 Model/Part #: 31J3201	2	INDOOR-BOTT & TOP
26	SWITCH-LO AMBIENT Cat #: 18J74 Model/Part #: 18J7401	2	"DISCHARGE LINE,OUT 150,IN 275"
27	SWITCH-HI PRESS Cat #: 85C87 Model/Part #: 85C8701	2	"DISCHARGE LINE,CUTOUT 410PSIG"
28	SUPPORT-COIL Cat #: 65H48 Model/Part #: LB-54902D	1	RIGHT-I.D.
29	SUPPORT-COIL Cat #: 65H46 Model/Part #: LB-54479CB	1	"LEFT-I.D.,W/DRIP SHIELD"
30	MOTOR-FAN Cat #: 27J07 Model/Part #: 27J0701	2	"1/2HP,1075RPM,460/60/1"
30	MOTOR-FAN Cat #: 27J31 Model/Part #: 27J3101	2	"1/2HP,1075RPM,575/60/1"

Callout	Name	Quantity	Description
31	FAN Cat #: 43G38 Model/Part #: 43G3801	2	"1/2""BORE,22""DIA,4 BLADE"
41	BRACKET Cat #: 81G62 Model/Part #: 81G6201	2	MOTOR MOUNT
42	COIL-OUTDOOR Cat #: 46J98 Model/Part #: LB-65801A	1	FRONT-W/MANIFOLD-1ST STAGE
42	COIL-OUTDOOR Cat #: 26K26 Model/Part #: LB-87009C	1	FRONT-W/MANIFOLD-1ST STAGE (COATED)
43	COIL-OUTDOOR Cat #: 46J98 Model/Part #: LB-65801A	1	FRONT-W/MANIFOLD-1ST STAGE
43	COIL-OUTDOOR Cat #: 26K27 Model/Part #: LB-87009D	1	REAR-W/MANIFOLD-2ND STAGE (COATED)
44	COIL-INDOOR Cat #: 64G16 Model/Part #: LB- 58052CC	1	TOP-W/MANIFOLD-2ND STAGE
44	COIL-INDOOR Cat #: 26K29 Model/Part #: LB-87009F	1	TOP-W/MANIFOLD-2ND STAGE (COATED)
45	COIL-INDOOR Cat #: 64G17 Model/Part #: LB- 58052CD	1	BOTTOM-W/MANIFOLD- 1ST STAGE
45	COIL-INDOOR Cat #: 26K28 Model/Part #: LB-87009E	1	BOTTOM-W/MANIFOLD- 1ST STAGE (COATED)
B1/B2	COMPRESSOR Cat #: 27J10 Model/Part #: 27J1001	2	"5TON,460/60/3,COPE"
B1/B2	COMPRESSOR Cat #: 27J11 Model/Part #: 27J1101	2	"5TON,575/60/3/COPE"
K7	RELAY Cat #: 39H99 Model/Part #: 39H9901	1	"ECON,SPDT,24V(LOCATED IN FILTER COMPART
RT1	SENSOR Cat #: 18H23 Model/Part #: 18H2301	1	DISCHARGE(NOVAR- LOCATED IN FILTER COMPAR
S52	SWITCH Cat #: 27H67 Model/Part #: 27H6701	1	AIR FLOW(NOVAR- LOCATED IN FILTER COMPART

Callout	Name	Quantity	Description
TB28	HARNESS-WIRING Cat #: 77J53 Model/Part #: LB-86162A	1	(LOCATED IN FILTER COMPARTMENT)
TB28	HARNESS-WIRING Cat #: LB-87673B Model/Part #: LB-87673B	1	"IAQ ""A""&""B""UNITS(LOCATED IN FILTER
TB28	HARNESS-WIRING Cat #: LB-87675A Model/Part #: LB-87675A	1	"IAQ ""C""UNITS(LOCATED IN FILTER COMPAR

ELECTRIC HEATING PARTS

Callout	Name	Quantity	Description
	ELEMENT-ELEC460V(-20 FOOTNOTE 1) Cat #: Model/Part #:	1	
	KNOB Cat #: 10B9101 Model/Part #: 10B9101	1	MAKEUP BOX COVER
	BUSHING-SNAP Cat #: 68H30 Model/Part #: P-8-10765	1	BUSHING, SNAP 17MM I.D. X 22MM PNL HOLE
	FUSE Cat #: 60566 Model/Part #: P-8-5813	3	"LINK TYPE,600V,25AMP"
	FUSE Cat #: 37913 Model/Part #: P-8-5849	3	"LINK TYPE,600V,35AMP"
	BLOCK-FUSE Cat #: 60565 Model/Part #: P-8-7158	1	(575V)
	BLOCK-FUSE Cat #: 37957 Model/Part #: P-8-7159	1	(460V)
	GROMMET Cat #: 36C66 Model/Part #: P-8-7324	2	BUSHING, SNAP 7/8" I.D. X 1-3/32" P/HOLE

Note:

Note1: FOR REPLACEMENT USE 72G27 ECH16-135-20. Note2: FOR REPLACEMENT USE 72G28 ECH16-135-30. Note3: FOR REPLACEMENT USE 72G29 ECH16-135-40. Note4: FOR REPLACEMENT USE 72G30 ECH16-135-50. Note5: FOR REPLACEMENT USE 72G11 ECH16-135 FUSE BLOCK. Note6: FOR REPLACEMENT USE 72G32 ECH16-135-20. Note7: FOR REPLACEMENT USE 72G33 ECH16-135-30. Note8: FOR REPLACEMENT USE 72G34 ECH16-135-40. Note9: FOR REPLACEMENT USE 72G35 ECH16-135-50.