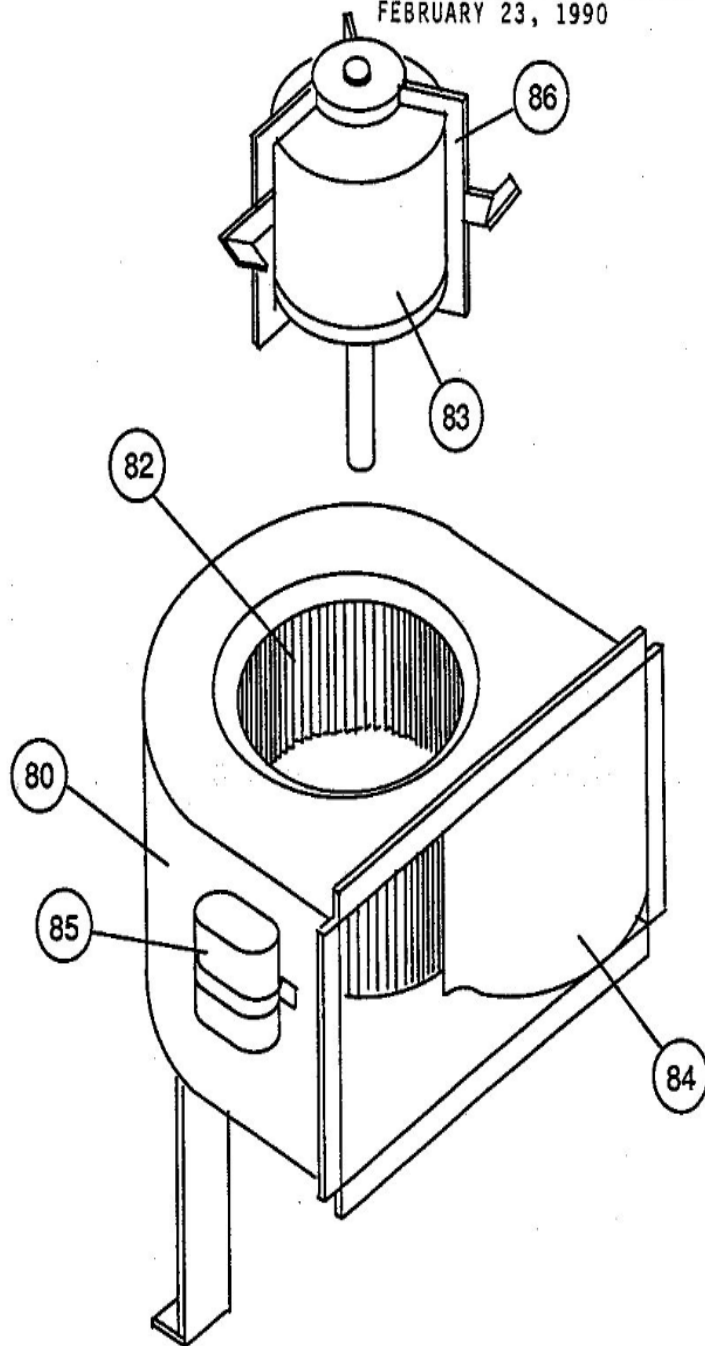
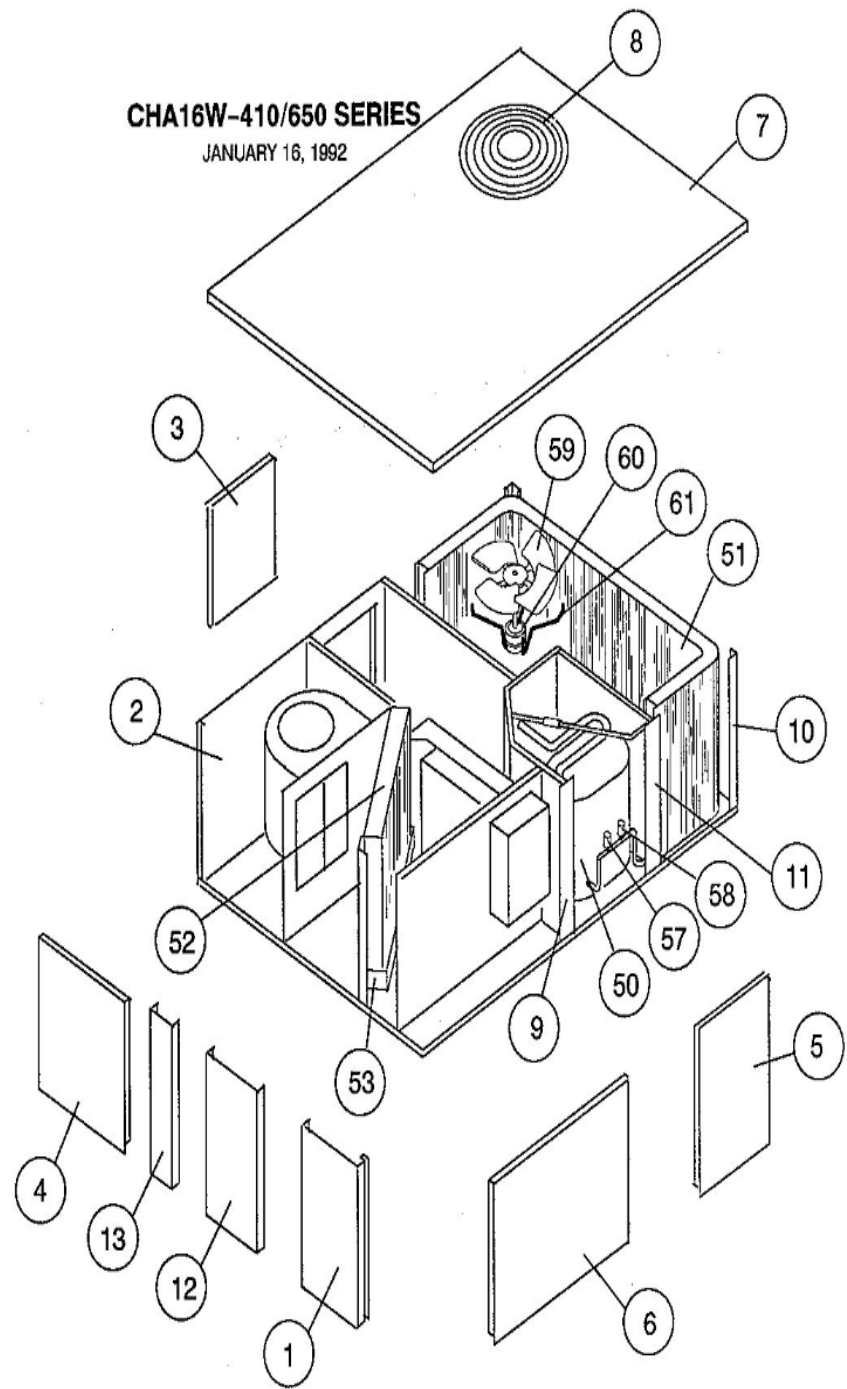


CHA16-261/651 SERIES-BLOWER PARTS
FEBRUARY 23, 1990



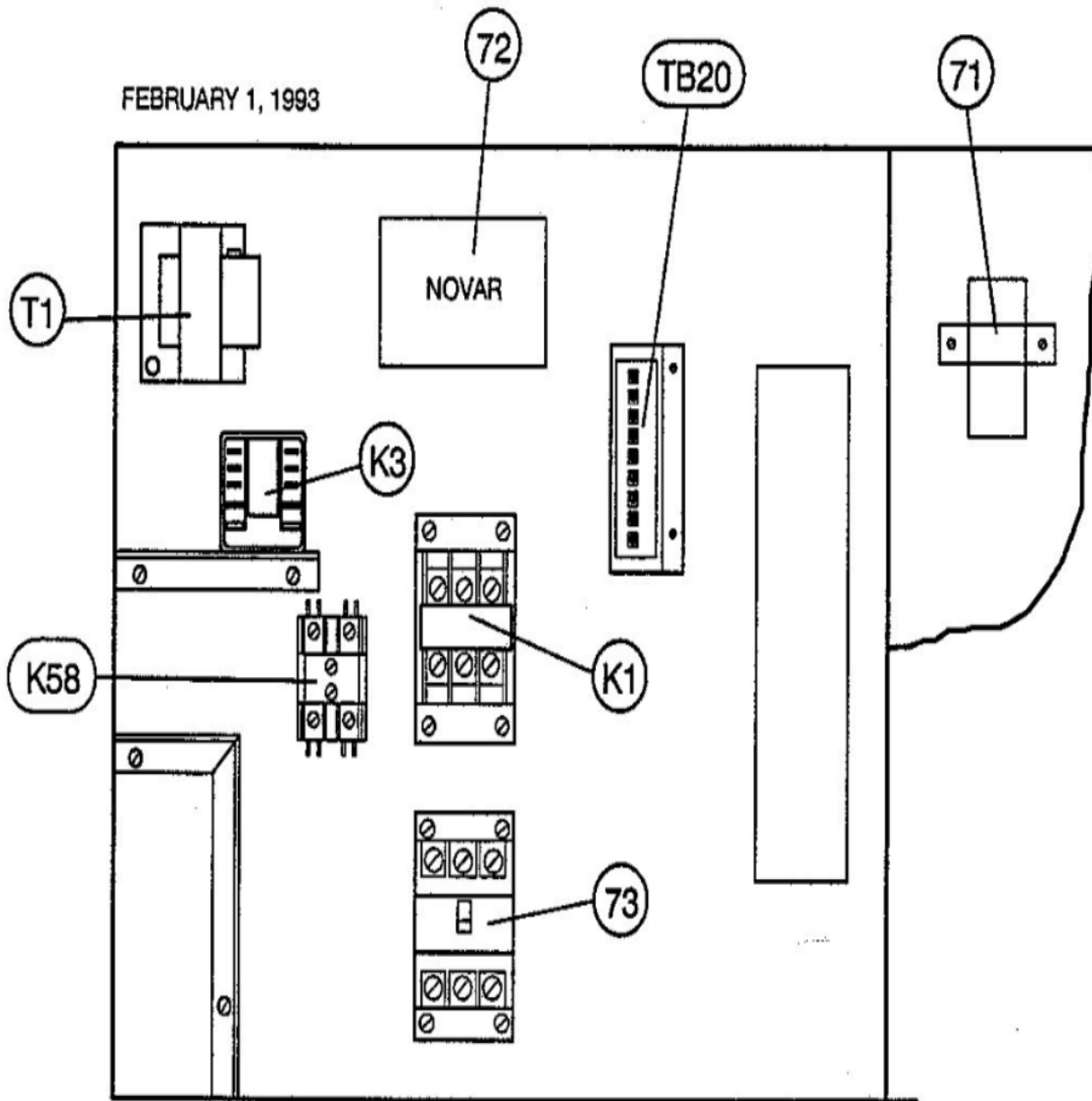
CHA16W-410/650 SERIES

JANUARY 16, 1992



CHA16W-410/650 SERIES

FEBRUARY 1, 1993



Revision Number - 2

BLOWER PARTS

Callout	Name	Quantity	Description
80	HOUSING-BLOWER Cat #: 40H50 Model/Part #: LB-78349CC	1	BLOWER HOUSING SA REP.PT.
82	WHEEL-BLOWER Cat #: 21708 Model/Part #: LB-29333BJ	1	"1/2""BORE,10-5/8"" X 8""
83	MOTOR-BLOWER Cat #: 28G16 Model/Part #: 28G1601	1	"1/2HP,1075RPM,460/60/1, W/MOUNTS"
84	PLATE-CUTOFF Cat #: 46H39 Model/Part #: LB-61505D	1	CUTOFF PLATE
85	CAPACITOR Cat #: 39H61 Model/Part #: 39H6101	1	"10MFD,370VAC"

CABINET PARTS

Callout	Name	Quantity	Description
	NUT Cat #: 66A03 Model/Part #: 66A0301	4	NUT 3/8-16 RETAINING
	BRACKET-FILTER Cat #: 68H39 Model/Part #: LB-62284D	1	RIGHT
	BRACKET-FILTER Cat #: 68H40 Model/Part #: LB-62287CB	1	LEFT
	FILTER-AIR Cat #: P-8-4589 Model/Part #: P-8-4589	2	"20"" X 25"" X 1""
1	PANEL Cat #: 94H12 Model/Part #: LB-81971DC	1	REAR
2	PANEL Cat #: 30H95 Model/Part #: LB-61521CA	1	SUPPLY & RETURN
3	COVER Cat #: 29H94 Model/Part #: LB-61561DB	2	SUPPLY & RETURN
4	PANEL	1	BLOWER ACCESS

Callout	Name	Quantity	Description
	Cat #: 34H80 Model/Part #: LB-61560DB		
5	PANEL Cat #: 46H33 Model/Part #: LB-81988DA	1	COMP ACCESS
6	PANEL Cat #: 94H13 Model/Part #: LB-81978DC	1	FRONT ACCESS
7	PANEL-TOP Cat #: 46H35 Model/Part #: LB-62035CC	1	PANEL TOP CHA16-653
8	GRILLE-DISCHARGE Cat #: 47C97 Model/Part #: LB-34250C	1	GRILLE-DISCHARGE
9	MULLION Cat #: 46H36 Model/Part #: LB-82111C	1	CENTER FRONT
10	POST-CORNER Cat #: 34H79 Model/Part #: LB-61555D	2	POST CORNER (6 pcs blk)
11	MULLION Cat #: 79H03 Model/Part #: LB-83209A	1	COIL
12	PANEL Cat #: 94H14 Model/Part #: LB-83565B	1	EVAP COIL
13	MULLION Cat #: LB-83566B Model/Part #: LB-83566B	1	LEFT SIDE

CONTROL PANEL PARTS

Callout	Name	Quantity	Description
	BOARD Cat #: 51H72 Model/Part #: 51H7201	1	NOVAR
71	CAPACITOR Cat #: 39H89 Model/Part #: 39H8901	1	"7.5MFD,370VAC"
72	MODULE Cat #: 51H77 Model/Part #: 51H7701	1	NOVAR
73	BREAKER-CIRCUIT Cat #: 51H83 Model/Part #: 51H8301	1	CIRCUIT BREAKER - 20 AMP
K1	CONTACTOR	1	"SPST,24V"

Callout	Name	Quantity	Description
	Cat #: 38393 Model/Part #: P-8-7736		
K3	RELAY Cat #: 43H88 Model/Part #: 43H8801	1	"ID BLOWER-3PDT,24V"
T1	TRANSFORMER Cat #: 51H79 Model/Part #: 51H7901	1	"575V PRI,460V SEC,3.4VA, L/FUSE"
TB20	STRIP-TERMINAL Cat #: 78H6301 Model/Part #: 78H6301	1	TERMINAL BOARD

COOLING PARTS

Callout	Name	Quantity	Description
	RELAY-OVERLOADCOMP-INTERNAL Cat #: Model/Part #:	1	
	SENSOR-DISCHARGE Cat #: 13H88 Model/Part #: 13H8801	1	DISCHARGE AIR
	VALVE-EXPANSION Cat #: 15B42 Model/Part #: 15B4201	1	VALVE, EXPANSION (UTD THEN SUB 60L37)
	SWITCH-LO AMBIENT Cat #: 18J74 Model/Part #: 18J7401	1	"LIQUID-LO AMBIENT OUT 150+10PSIG,IN 275"
	SWITCH Cat #: 27H67 Model/Part #: 27H6701	1	"BLOWER,24V N.O."
	DRIER Cat #: 58A63 Model/Part #: 58A6301	1	SUCTION LINE
	DRIER Cat #: 69H06 Model/Part #: 69H0601	1	LIQUID LINE
	FITTING PRESS TAP Cat #: 86G64 Model/Part #: 86G6401	2	FITTING, PRESSURE TAP
	KIT-COMPR MTG Cat #: 87F70 Model/Part #: 87F7001PR	1	MOUNT PKG-COMP
	FREEZSTAT Cat #: 93G35 Model/Part #: 93G3501	1	EVAP MANIFOLD
	WELL-THERMOMETER	1	THERMO-WELL

Callout	Name	Quantity	Description
	Cat #: 25G48 Model/Part #: LB-54392CB		ASSEMBLY
	PAN-DRIP Cat #: 94H17 Model/Part #: LB-82127C	1	EVAP
	SEAL Cat #: 46H38 Model/Part #: LB-82136C	1	DRAIN PAN
	DISTRIBUTOR ASSY Cat #: 41H93 Model/Part #: LB-82515CC	1	DIST. PKG. ASSY. REP.PT.
	VALVE CORE Cat #: 66820 Model/Part #: P-8-1897	2	VALVE, CORE 8075910047
	CAP-SEAL Cat #: 58114 Model/Part #: P-8-3187	1	CAP, BRASS
	SHIELD-RAIN Cat #: 32621 Model/Part #: P-8-6142	1	SHIELD, MOTOR
50	COMPRESSOR Cat #: 68J59 Model/Part #: 50F5801	1	"3TON,460/60/3, 380/420/50/3,COPE"
51	COIL-OUTDOOR Cat #: 41H32 Model/Part #: LB-62567CE	1	W/MANIFOLD
52	COIL-INDOOR Cat #: 41H19 Model/Part #: LB-82498CA	1	W/MANIFOLD
53	PAN-DRAIN Cat #: 94H16 Model/Part #: LB-61400CD	1	DRAIN PAN S.A.
57	SWITCH-HI PRESS Cat #: 85C87 Model/Part #: 85C8701	1	OUT 410PSIG
58	SWITCH-LO PRESS Cat #: 11G09 Model/Part #: 11G0901	1	"OUT 25+5PSIG,IN 55+5PSIG"
59	FAN Cat #: 45C51 Model/Part #: 45C5101	1	"1/2""BORE,24""DIA,4 BLADE"
60	MOTOR-FAN Cat #: 51H75 Model/Part #: 51H7501	1	"1/4HP,825RPM,460/60/1"
61	BRACKET-MTR MTG Cat #: 15C99 Model/Part #: 15C9901	1	BRKT-MTR MTG (63K62 REPLACES)

ELECTRIC HEATING PARTS

Callout	Name	Quantity	Description
	ELEMENT-ELEC(FOOTNOTE 1) Cat #: Model/Part #:	1	
	FUSE 15A Cat #: 37809 Model/Part #: P-8-1879	3	"LINK TYPE,600V"
	BLOCK-FUSE Cat #: 60565 Model/Part #: P-8-7158	1	BLOCK, FUSE

Note:

Note1: FOR REPLACEMENT,USE 31H37 ECH16-10G.