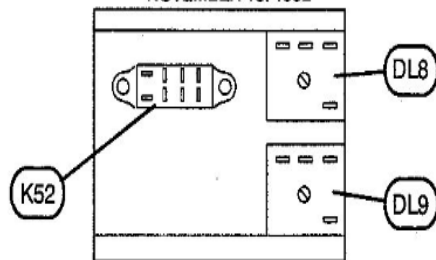
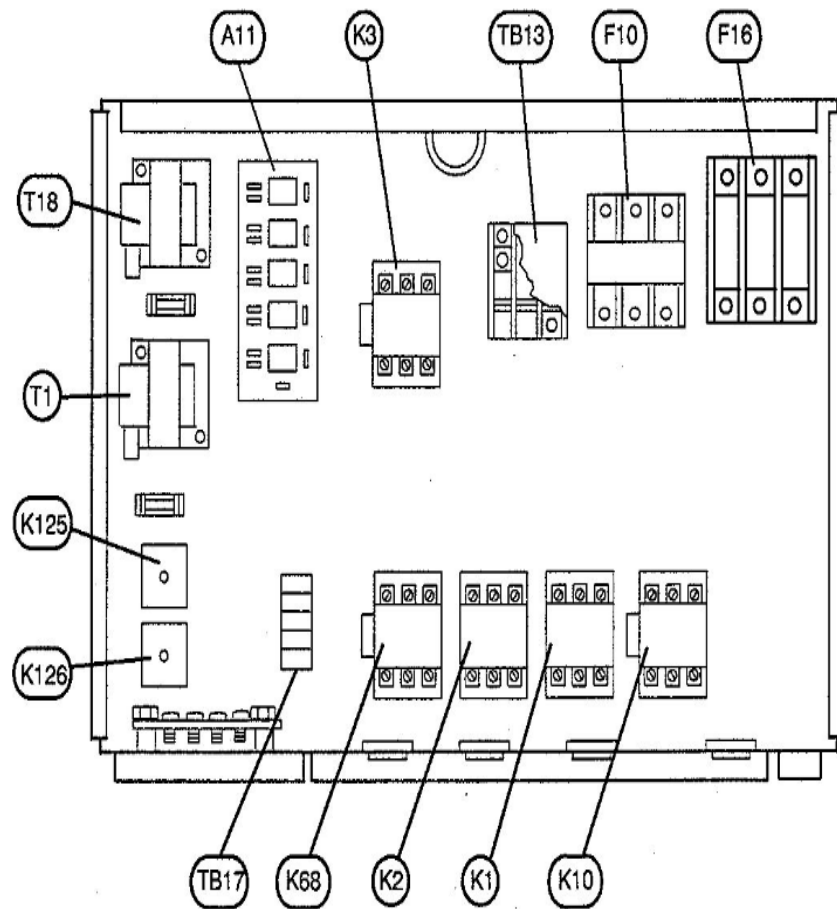


CHA16-2553W-2 WALMART CONTROL PANEL

NOVEMBER 18, 1992

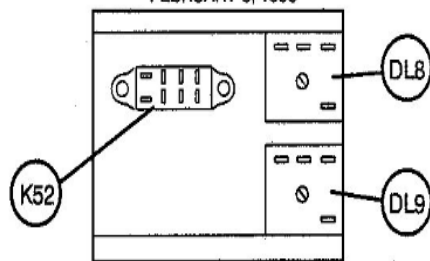


COMPRESSOR CYCLE CONTROL
(LOCATED IN FILTER COMPARTMENT)

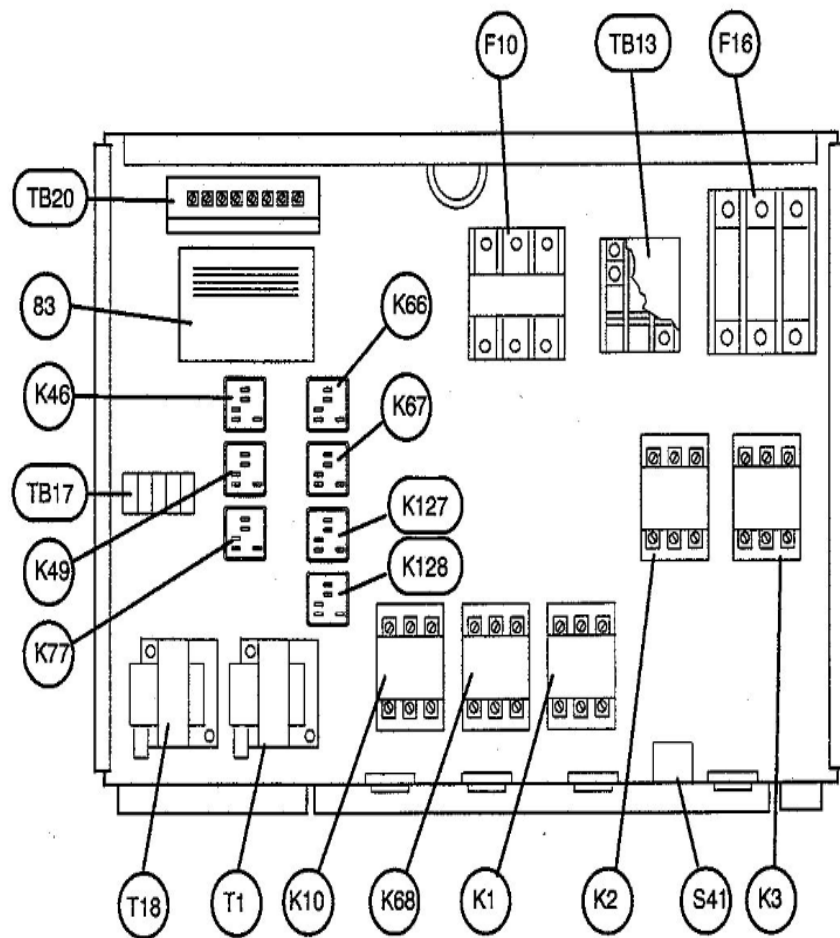


CHA16-2553W-3-4 WALMART CONTROL PANEL

FEBRUARY 8, 1993

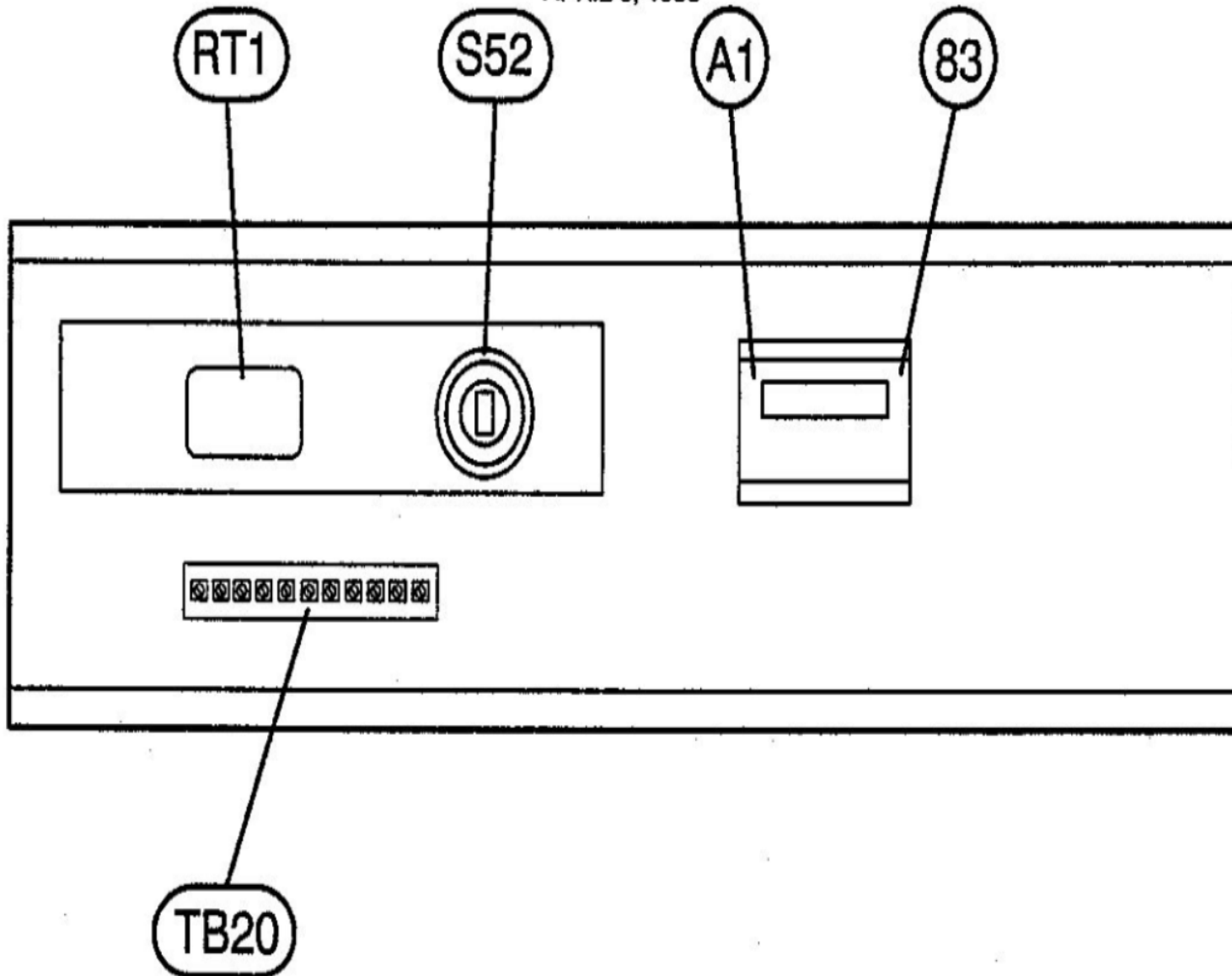


COMPRESSOR CYCLE CONTROL
(LOCATED IN FILTER COMPARTMENT)



CHA16-2553W-2 WALMART NOVAR CONTROL PANEL (Filter Compartment)

APRIL 6, 1993

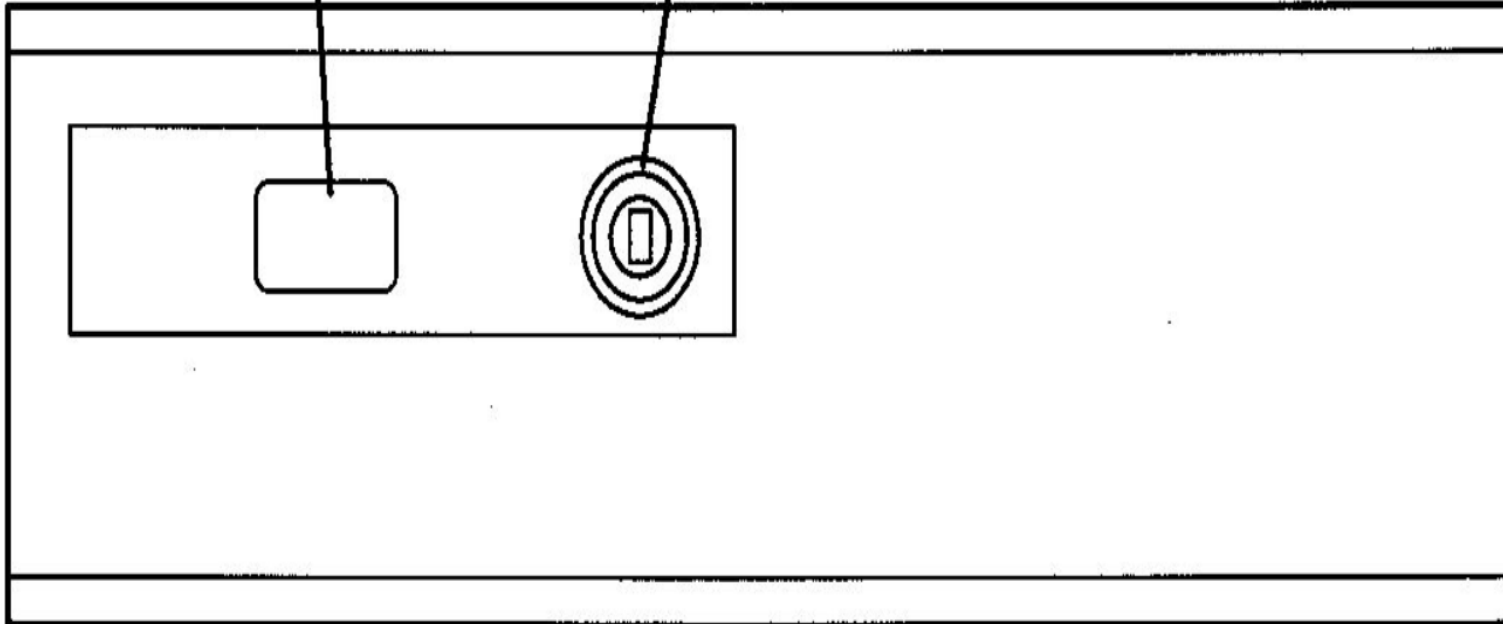


RT1

S52

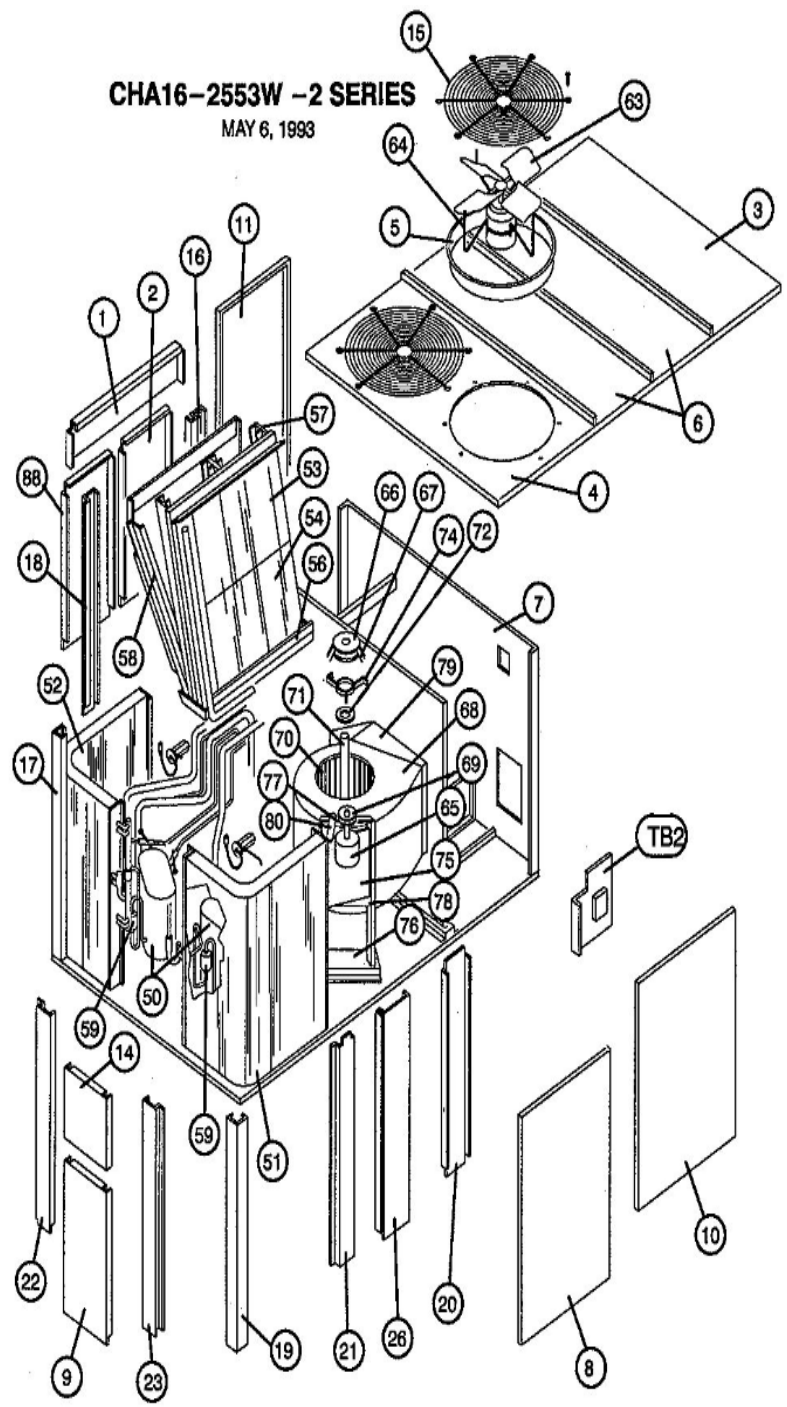
**CHA16-2553W-3-4 WALMART
NOVAR CONTROL PANEL
(Filter Compartment)**

APRIL 16, 1993



CHA16-2553W -2 SERIES

MAY 6, 1993



Revision Number - 3

BLOWER PARTS

Callout	Name	Quantity	Description
	DETECTOR-SMOKE Cat #: 51H51 Model/Part #: 51H5101	1	SMOKE DETECTOR 24VAC
	KEY Cat #: 41G52 Model/Part #: LB-21259D	1	KEY
	PLATE-CUTOFF Cat #: 60H31 Model/Part #: LB-81254C	1	PLATE, CUTOFF
65	MOTOR-BLOWER Cat #: 24G21 Model/Part #: 24G2101	1	"5HP,1725RPM,200- 230/460/60/3"
66	PULLEY-BLOWER Cat #: 56948 Model/Part #: P-8-1848	1	"1-3/16""BORE,12- 3/4""O.D."
67	BELT Cat #: 86H65 Model/Part #: 86H6501	2	"80"" ,""B""SEC"
68	HOUSING-BLOWER Cat #: 60H30 Model/Part #: LB-81210CA	1	BLOWER S.A.
69	PULLEY-MOTOR Cat #: 56955 Model/Part #: P-8-1979	1	"1-1/8""BORE,4- 3/4""O.D.,""B""SEC"
70	WHEEL-BLOWER Cat #: 39H38 Model/Part #: 39H3801	1	"1-3/16""BORE,20"" X 18""
71	SHAFT-BLOWER Cat #: 60H32 Model/Part #: LB-81257C	1	"1- 3/16""DIA,31.5""LONG"
72	BEARING Cat #: 56627 Model/Part #: P-5-110	2	"1-3/16""BORE"
74	BRACKET Cat #: 60H46 Model/Part #: LB-81215DA	2	BEARING
75	BASE-MOTOR Cat #: 60H33 Model/Part #: LB-81204CA	1	BASE S.A., BLOWER MO
76	MOUNT-BLOWER Cat #: 60H34 Model/Part #: LB-81209CA	1	FRAME S.A., BLOWER
77	BRACKET Cat #: 60H35 Model/Part #: LB-82221D	1	ADJUSTING-BLR MOUNT(TOP)

Callout	Name	Quantity	Description
78	SUPPORT Cat #: 52H11 Model/Part #: LB-81167CA	1	BLOWER
79	ADAPTER Cat #: 60H36 Model/Part #: LB-81201CA	1	BLOWER
80	BRACKET Cat #: 16J85 Model/Part #: LB-82222DA	1	ADJUSTING-BLR MOUNT(BOT)

CABINET PARTS

Callout	Name	Quantity	Description
	LATCH Cat #: 98G94 Model/Part #: 98G9401	4	FILTER ACCESS
	SEAL Cat #: 60H13 Model/Part #: LB-81262C	1	INDOOR COIL-TOP
	FILTER-AIR Cat #: 56A58 Model/Part #: P-8-10817	6	"20" X 25" X 2", SLAB"
1	PANEL Cat #: 60H01 Model/Part #: LB-82577CA	1	FILTER ACCESS
2	PANEL Cat #: 34J23 Model/Part #: LB-64815A	1	FILTER ACCESS- RIGHT
3	PANEL-TOP Cat #: 34J46 Model/Part #: LB-81159CF	1	HEAT SECTION
4	PANEL-TOP Cat #: 34J31 Model/Part #: LB-81220CB	1	COMP
5	RING-ORIFICE Cat #: 50H94 Model/Part #: LB-81925D	2	TOP
7	PANEL Cat #: 34J42 Model/Part #: LB-64693A	1	END
8	PANEL Cat #: 34J47 Model/Part #: LB-81157CJ	1	BLOWER ACCESS
9	PANEL Cat #: 34J48 Model/Part #: LB-64826	1	COMP ACCESS- LOWER
10	PANEL	1	HEAT ACCESS-

Callout	Name	Quantity	Description
	Cat #: 34J43 Model/Part #: LB-81157CG		FRONT
11	PANEL Cat #: 34J47 Model/Part #: LB-81157CJ	1	HEAT SECTION-REAR
14	COVER-CONTROL BOX Cat #: 34J34 Model/Part #: LB-64875A	1	COMP ACCESS-UPPER
15	GRILLE-DISCHARGE Cat #: 93G95 Model/Part #: 93G9501	2	GRILLE-DISCHARGE
16	MULLION Cat #: 34J44 Model/Part #: LB-81154CD	1	INDOOR COIL-REAR
17	POST-CORNER Cat #: 34J35 Model/Part #: LB-81153CB	1	LEFT REAR
18	MULLION Cat #: 60H15 Model/Part #: LB-81156CB	1	OUTDOOR COIL-REAR
19	POST-CORNER Cat #: 34J36 Model/Part #: LB-81172CB	1	LEFT FRONT
20	MULLION Cat #: 51H00 Model/Part #: LB-81152CA	1	BLOWER-FRONT
21	MULLION Cat #: 34J45 Model/Part #: LB-81155CD	1	OUTDOOR COIL-FRONT
25	GRILLE Cat #: 97H21 Model/Part #: 97H2101	2	COMP SECTION
26	PANEL Cat #: 34J39 Model/Part #: LB-81213CB	1	BLOWER ACCESS-FRONT
28	MULLION Cat #: 34J53 Model/Part #: LB-64964C	1	BLOWER-FRONT UPPER
29	MULLION Cat #: 54J60 Model/Part #: LB-69074A	1	COMP ACCESS-RIGHT
83	GRILLE Cat #: 97H58 Model/Part #: 97H5801	1	COMP SECTION-TOP
84	PANEL-TOP Cat #: 34J52 Model/Part #: LB-65011B	1	BLOWER-RIGHT
85	PANEL-TOP Cat #: 34J51 Model/Part #: LB-65011A	1	BLOWER-LEFT

Callout	Name	Quantity	Description
86	PANEL Cat #: 32J95 Model/Part #: LB-64827	1	COMP ACCESS-REAR
87	MULLION Cat #: 34J50 Model/Part #: LB-64964B	1	HEAT-REAR UPPER
88	PANEL Cat #: 34J29 Model/Part #: LB-64699A	1	FILTER ACCESS-LEFT

CONTROL PANEL PARTS

Callout	Name	Quantity	Description
	FUSE 15A Cat #: 37809 Model/Part #: P-8-1879	3	"LINK TYPE,15AMP,600VAC"
	FUSE Cat #: 37811 Model/Part #: P-8-2220	3	"LINK TYPE,30AMP,600VAC"
	BUSHING-SNAP Cat #: 57C55 Model/Part #: P-8-8920	3	BUSHING, SNAP 1-1/8in.ID X 1-1/2in.P/H
83	MODULE Cat #: 18H26 Model/Part #: 18H2601	1	"ELEC-MODULE(NOVAR""A""")"
83	MODULE Cat #: 51H77 Model/Part #: 51H7701	1	"ELEC-MODULE(NOVAR""B""")"
A1	BOARD Cat #: 51H72 Model/Part #: 51H7201	1	"TRANSITION/THERM(NOVAR""A&B""")"
DL8	RELAY-DELAY Cat #: 78C8501 Model/Part #: 78C8501	1	24V(COMP CYCLE CTL-LOCATED IN FILTER COM
DL9	TIME DELAY Cat #: 65G70 Model/Part #: 65G7001	1	24V(COMP CYCLE CTL-LOCATED IN FILTER COM
F10	BLOCK-FUSE Cat #: 60565 Model/Part #:	1	BLOCK, FUSE

Callout	Name	Quantity	Description
	P-8-7158		
F16	BLOCK-FUSE Cat #: 60565 Model/Part #: P-8-7158	1	460V
K1	CONTACTOR Cat #: 57J95 Model/Part #: 57J9501	1	"3PDT,24V"
K10	CONTACTOR Cat #: 57J95 Model/Part #: 57J9501	1	"3PDT,24V"
K127	RELAY Cat #: 39H98 Model/Part #: 39H9801	1	"DPDT,24V("A&B") (K127)"
K128	RELAY Cat #: 39H98 Model/Part #: 39H9801	1	"DPDT,24V("A,B&C") (K128)"
K2	CONTACTOR Cat #: 57J95 Model/Part #: 57J9501	1	"3PDT,24V"
K3	CONTACTOR Cat #: 57J95 Model/Part #: 57J9501	1	"3PDT,24V"
K46	RELAY Cat #: 39H99 Model/Part #: 39H9901	1	"SPDT,24V("A,B&C")"
K49	RELAY Cat #: 39H99 Model/Part #: 39H9901	1	"SPDT,24V("A,B&C")"
K52	RELAY Cat #: 13H78 Model/Part #: 13H7801	1	DPDT(COMP CYCLE CTL-LOCATED IN FILTER CO
K66	RELAY Cat #: 39H99 Model/Part #: 39H9901	1	"SPDT,24V("A&B")"
K67	RELAY Cat #: 39H99 Model/Part #:	1	"SPDT,24V("A&B")"

Callout	Name	Quantity	Description
	39H9901		
K68	CONTACTOR Cat #: 57J95 Model/Part #: 57J9501	1	"3PDT,24V"
K77	RELAY Cat #: 39H99 Model/Part #: 39H9901	1	"SPDT,24V("A,B&C")"
RT1	SENSOR Cat #: 18H23 Model/Part #: 18H2301	1	"DISCHARGE(NOVAR""A&B""LOCATED IN FILTER
S41	CONTROL-LIMIT Cat #: 43G36 Model/Part #: 43G3601	1	"SPDT,OPEN 40F,CLOSE 50F"
S52	SWITCH Cat #: 46J69 Model/Part #: LB-63388DA	1	"AIR FLOW(NOVAR""A&B""LOCATED IN FILTER
T1	TRANSFORMER Cat #: 51H79 Model/Part #: 51H7901	1	"480V PRI,24V SEC,70VA,L/FUSE"
T18	TRANSFORMER Cat #: 51H79 Model/Part #: 51H7901	1	"480V PRI,24V SEC,70VA,L/FUSE"
TB13	BLOCK-TERMINAL Cat #: 72F88 Model/Part #: 72F8801	1	BLOCK, TERMINAL
TB17	STRIP-TERMINAL Cat #: 78H67 Model/Part #: 78H6701	1	CONNECTION STRIP
TB20	HARNESS-WIRING Cat #: 34J54 Model/Part #: LB-63378CA	1	"TEST(NOVAR""A&B")"

COOLING PARTS

Callout	Name	Quantity	Description
	RELAY-OVERLOADCOMP-INTERNAL	2	

Callout	Name	Quantity	Description
	Cat #: Model/Part #:		
	SWITCH-LO AMBIENT Cat #: 18J74 Model/Part #: 18J7401	2	"OUT 150+10PSIG,IN 275+10PSIG"
	MOUNT PKG-COMP Cat #: 27G98 Model/Part #: 27G9801PR	2	27G9801PR COMP MT PK
	VALVE-EXPANSION Cat #: 28C13 Model/Part #: 28C1301	4	VALVE, EXPANSION (USE 60L27)
	VALVE-CHECK Cat #: 65G08 Model/Part #: 65G0801	2	LIQUID LINE
	VALVE-CHECK Cat #: 65G09 Model/Part #: 65G0901	2	DISCHARGE
	HEATER-CRANKCASE Cat #: 72H67 Model/Part #: 72H6701	2	(460V)
	SWITCH-LO PRESS Cat #: 85C23 Model/Part #: 85C2301	2	"DISCHARGE LINE,CUTOUT 25PSIG"
	SWITCH-HI PRESS Cat #: 85C87 Model/Part #: 85C8701	2	"DISCHARGE LINE,CUTOUT 410PSIG"
	FITTING PRESS TAP Cat #: 86G64 Model/Part #: 86G6401	10	FITTING, PRESSURE TAP
	FREEZSTAT Cat #: 93G35 Model/Part #: 93G3501	2	THERMOSTAT
	WELL-THERMOMETER Cat #: 25G49 Model/Part #: LB- 54392CC	2	THERM-WELL ASSEMBLY
	DISTRIBUTOR ASSY Cat #: 61H29 Model/Part #: LB- 62253CJ	1	TOP-EVAP
	VALVE CORE Cat #: 66820 Model/Part #: P-8-1897	5	VALVE, CORE 8075910047
	CAP-SEAL Cat #: 58114 Model/Part #: P-8-3187	5	CAP, BRASS
50	COMPRESSOR Cat #: 27H36 Model/Part #: 27H3601	2	"9TON,460/60/3,TEC"

Callout	Name	Quantity	Description
51	COIL-OUTDOOR Cat #: 15J36 Model/Part #: LB-83907D	1	"1ST STAGE,W/MANIFOLD(OUTER)"
52	COIL-OUTDOOR Cat #: 15J35 Model/Part #: LB-83907C	1	"2ND STAGE,W/MANIFOLD(INNER)"
53	COIL-INDOOR Cat #: 61H55 Model/Part #: LB-62254CE	1	"1ST STAGE,W/MANIFOLD(TOP)"
54	COIL-INDOOR Cat #: 61H55 Model/Part #: LB-62254CE	1	"2ND STAGE,W/MANIFOLD(BOTT)"
56	PAN-DRAIN Cat #: 60H27 Model/Part #: LB-82076CA	1	PAN S.A., DRAIN
57	SUPPORT-COIL Cat #: 60H28 Model/Part #: LB-81259C	1	RIGHT-I.D. COIL
58	SUPPORT-COIL Cat #: 60H29 Model/Part #: LB-81165CB	1	"LEFT-I.D. COIL,W/DRIP SHIELD"
59	DRIER Cat #: 12L74 Model/Part #: 12L7401	2	LIQUID LINE
59	DRIER Cat #: 70C11 Model/Part #: 70C1101	2	SUCTION LINE
62	MOTOR-FAN Cat #: 94G00 Model/Part #: 94G0001	2	"1HP,1140RPM,200-230/460/60/3"
63	FAN Cat #: 93G90 Model/Part #: 93G9001	2	"5/8""BORE,26""DIA,4 BLADE"
64	BRACKET-MTR MTG Cat #: 93G96 Model/Part #: 93G9601	2	MOUNT, MOTOR
TB2	BLOCK-TERMINAL Cat #: 41K39 Model/Part #: 69C9201	1	460V

ELECTRIC HEATING PARTS

Callout	Name	Quantity	Description
	ELEMENT-ELEC""A,B&C""30A(SEE FOOTNOTE 1 Cat #: Model/Part #:	1	
	BREAKER-CIRCUIT Cat #: 74H72 Model/Part #: 74H7201	1	"(A,B&C-30KW)"
	BREAKER-CIRCUIT Cat #: 86H61 Model/Part #: 86H6101	1	"(A,B&C-90KW)"
	SWITCH-DISCONNECT Cat #: 86H62 Model/Part #: 86H6201	1	"(A,B&C-45KW)"
	FUSE Cat #: 37906 Model/Part #: P-8-5792	1	"LINK TYPE,60AMP,600VAC"
	BLOCK-FUSE Cat #: 37957 Model/Part #: P-8-7159	1	FUSE BLOCK

Note:

Note1: FOR REPLACEMENT USE 24H37 ECH16-275/300-90. Note2: FOR REPLACEMENT USE 24H34 ECH16-185/300-45. Note3: FOR REPLACEMENT USE 24H33 ECH16-185/300-30. Note4: PLEASE SEE ASD23.3 SECTION G FOR COMPRESSOR AND KIT