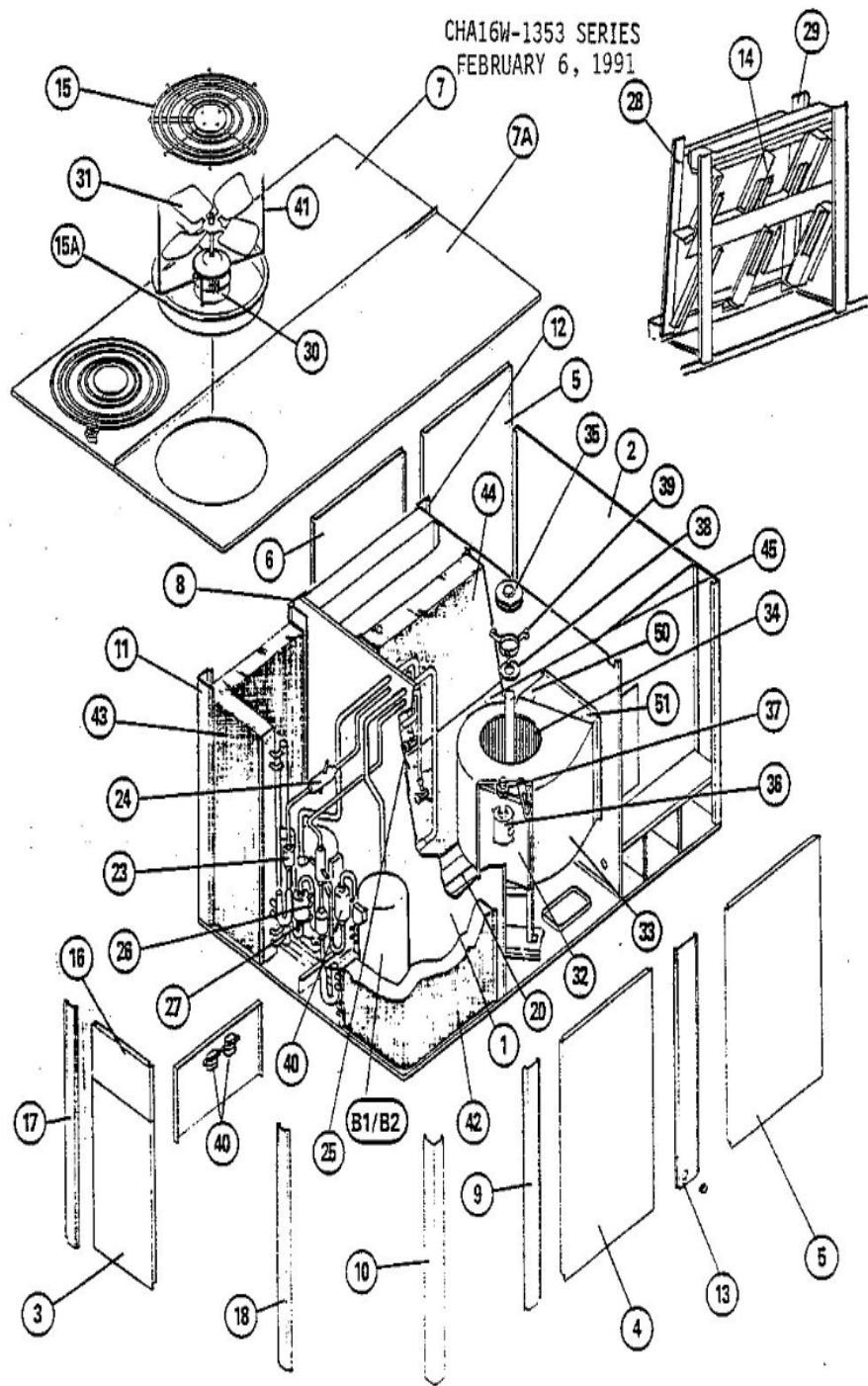


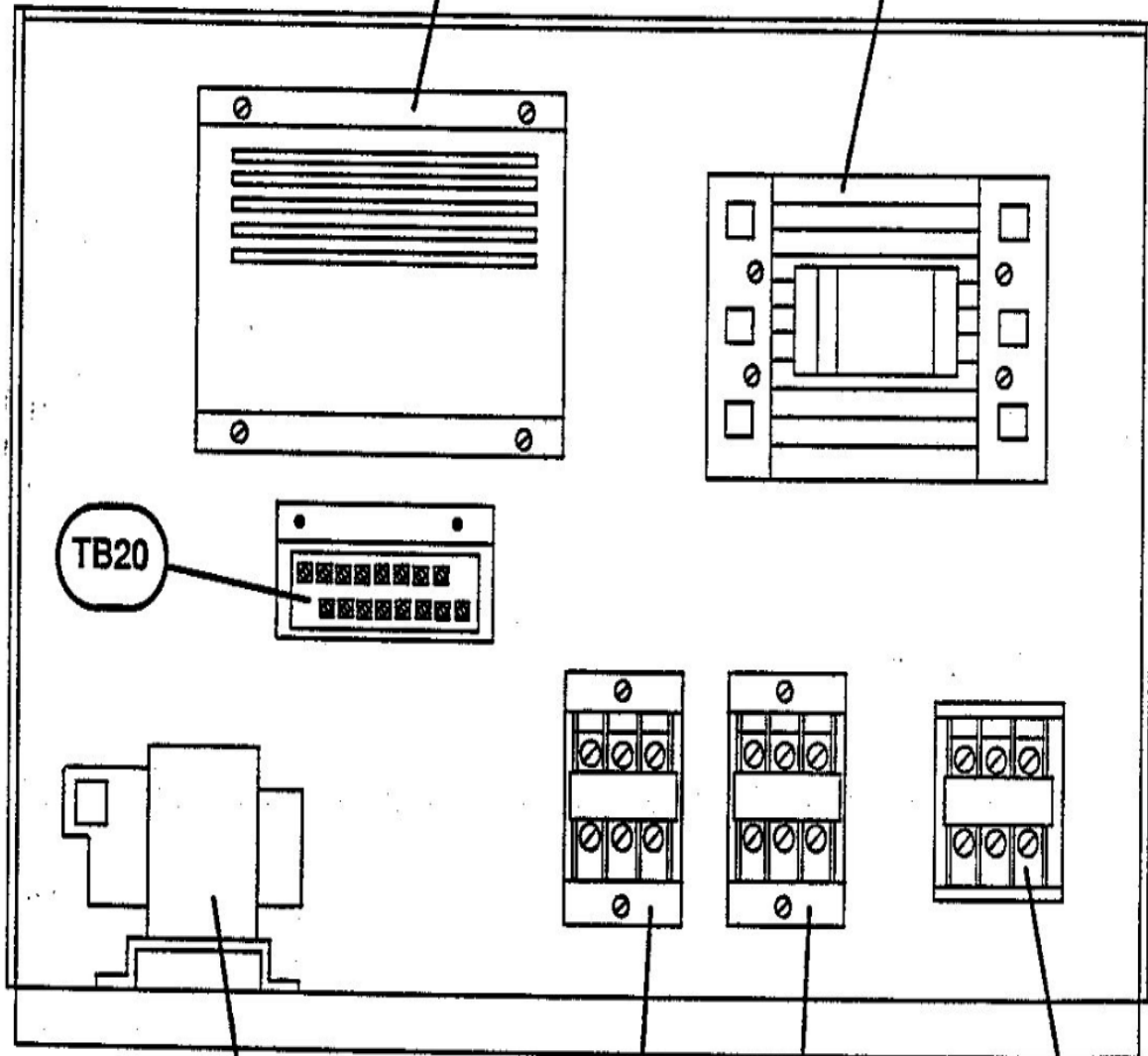
CHA16W-1353 SERIES
FEBRUARY 6, 1991



A1

CHA16W-1353 CONTROL PANEL
FEBRUARY 6, 1991

CB10



TB20

T1

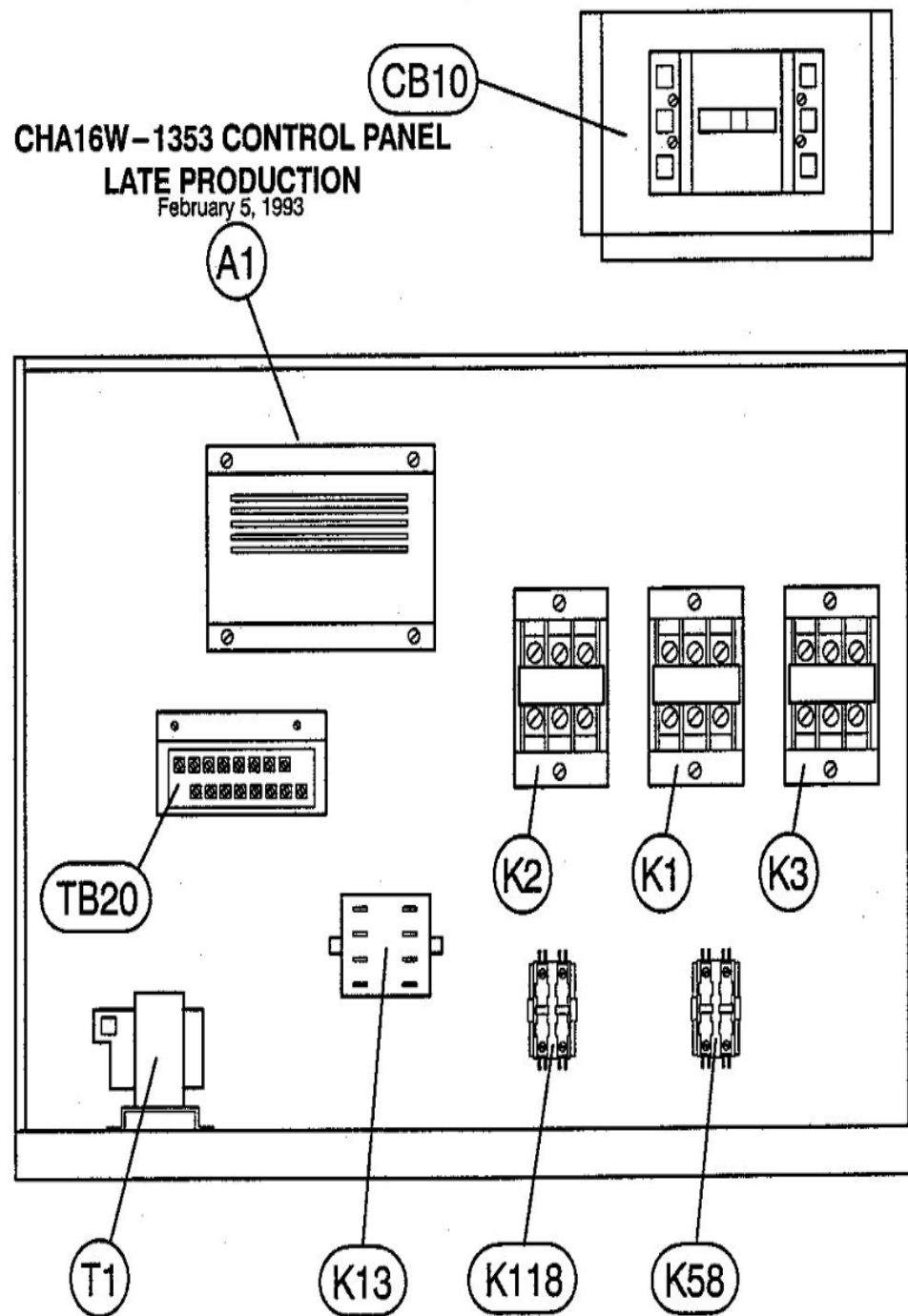
K2

K1

K3



CHA16W-1353 CONTROL PANEL
LATE PRODUCTION
February 5, 1993



Revision Number - 2

BLOWER PARTS

Callout	Name	Quantity	Description
	BELT Cat #: 13H01 Model/Part #: 13H0101	1	"52.3"" , ""A"" SECTION"
	SENSOR-DISCHARGE Cat #: 13H88 Model/Part #: 13H8801	1	LOCATED ON BLOWER DECK
	SWITCH Cat #: 27H67 Model/Part #: 27H6701	1	LOCATED ON BLOWER DECK
	KEY Cat #: 41G52 Model/Part #: LB-21259D	1	KEY
	PLATE-CUTOFF Cat #: 21803 Model/Part #: LB-4279	1	CUT OFF PLATE (6 pcs blk)
	BASE-MOTOR Cat #: 46G35 Model/Part #: LB-54480CA	1	BASE SA MOTOR FRAME
	SHAFT-BLOWER Cat #: 41G51 Model/Part #: LB-54482C	1	"1""DIA.,23""LENGTH"
	BRACKET Cat #: 50G10 Model/Part #: LB-54537D	2	ADJUSTING-BLOWER MOUNT
	SUPPORT Cat #: 60G18 Model/Part #: LB-54956D	1	BLOWER
	BAFFLE Cat #: 50G43 Model/Part #: LB-54958C	1	BLOWER
	COVER Cat #: 60G17 Model/Part #: LB-55485C	1	INLET
32	MOUNT-BLOWER Cat #: 50G44 Model/Part #: LB-54797CB	1	FRAME - BLOWER SUB ASSY
33	HOUSING-BLOWER Cat #: 49G96 Model/Part #: LB-54481CB	1	BLOWER S.A.
34	WHEEL-BLOWER Cat #: 66656 Model/Part #: LB-29333BAC	1	"1"" BORE,15' X 15""
35	PULLEY-BLOWER Cat #: 51H88 Model/Part #: 51H8801	1	"1""BORE,8- 1/4""O.D.,SGL

Callout	Name	Quantity	Description
			GROOVE"
36	MOTOR-BLOWER Cat #: 23G40 Model/Part #: 23G4001	1	"2HP,1725RPM,200-230/460/60/3 (EARLY PRO
36	MOTOR-BLOWER Cat #: 23G41 Model/Part #: 23G4101	1	"3HP,1725RPM,200-230/460/60/3 (LATE PROD
37	PULLEY-MOTOR Cat #: 56930 Model/Part #: P-8-1488	1	"7/8""BORE,4-1/8""O.D.,""B""SEC (EARLY P
37	PULLEY-MOTOR Cat #: 56963 Model/Part #: P-8-2187	1	"7/8""BORE,4-3/4""O.D.,""B""SEC (LATE PR
38	BEARING Cat #: 66020 Model/Part #: P-5-84	2	"1"" BORE"
39	BRACKET Cat #: 46G41 Model/Part #: LB-56689CB	2	BEARING
50	ADAPTER Cat #: 50G41 Model/Part #: LB-54947BA	1	BLOWER-REAR
51	ADAPTER Cat #: 50G42 Model/Part #: LB-55043B	1	BLOWER

CABINET PARTS

Callout	Name	Quantity	Description
	COVER Cat #: 13H32 Model/Part #: 13H3201	1	CIRCUIT BREAKER
	GROMMET Cat #: 33G32 Model/Part #: 33G3201	1	FRONT BLOWER SEC-MULLION
	PIECE-FILLER Cat #: 76G21 Model/Part #: LB-54888C	1	LEFT
	PIECE-FILLER Cat #: 75G71 Model/Part #: LB-54889C	2	REAR
	COVER	1	BREAKER BOX

Callout	Name	Quantity	Description
	Cat #: 94H09 Model/Part #: LB-83483		
	FILTER-AIR Cat #: 56A60 Model/Part #: P-8-10875	4	"16"" X 25"" X 2"",SLAB"
	CLIP Cat #: 41G21 Model/Part #: P-8-158	2	CLIP-FILTER
1	PANEL Cat #: 65H47 Model/Part #: LB-54544CB	1	DIVISION
2	PANEL Cat #: 17J43 Model/Part #: LB-50890CC	1	END
3	PANEL Cat #: 68H26 Model/Part #: LB-63367C	1	COMPRESSOR ACCESS
4	PANEL Cat #: 50J17 Model/Part #: LB-54364CN	1	BLOWER SECTION
5	PANEL Cat #: 75G91 Model/Part #: LB-54364CH	2	HEAT SECTION
6	PANEL Cat #: 74G60 Model/Part #: LB-54364CD	1	FILTER ACCESS
7	PANEL Cat #: 65H63 Model/Part #: LB-54901CC	1	REAR
7A	PANEL Cat #: 65H62 Model/Part #: LB-54900CC	1	FRONT
8	MULLION Cat #: 94G63 Model/Part #: LB-54382CB	1	REAR-CONDENSOR SECTION
9	MULLION Cat #: 63G30 Model/Part #: LB-55057CA	1	FRONT- CONDENSOR SECTION
10	MULLION Cat #: 14H03 Model/Part #: LB-55058CB	1	LEFT-FRONT
11	MULLION Cat #: 64G91 Model/Part #: LB-54380CB	1	LEFT-REAR
12	MULLION Cat #: 85G58 Model/Part #: LB-54384CB	1	REAR-HEAT SECTION
13	MULLION	1	FRONT-BLOWER

Callout	Name	Quantity	Description
	Cat #: 74G77 Model/Part #: LB-54386CB		SECTION
14	RETAINER-FILTER Cat #: 15H25 Model/Part #: LB-57278D	8	REPAIR RETAINER, FILTER
15	GUARD-FAN Cat #: 40F06 Model/Part #: 40F0601	2	GUARD-FAN
15A	RING-ORIFICE Cat #: 95G77 Model/Part #: LB-59046C	2	ORIFICE 22"
16	COVER-CONTROL BOX Cat #: 68H29 Model/Part #: LB-63366A	1	COVER S.A., CONTROL BOX
17	MULLION Cat #: 68H27 Model/Part #: LB-63360C	1	LEFT-COMPRESSOR ACCESS
18	MULLION Cat #: 68H28 Model/Part #: LB-63359C	1	RIGHT- COMPRESSOR ACCESS

CONTROL PANEL PARTS

Callout	Name	Quantity	Description
	BOARD Cat #: 51H72 Model/Part #: 51H7201	1	TRANSITION BOARD
	BUSHING-SNAP Cat #: 68H30 Model/Part #: P-8-10765	1	BUSHING, SNAP 17MM I.D. X 22MM PNL HOLE
	GROMMET Cat #: 36C66 Model/Part #: P-8-7324	3	BUSHING, SNAP 7/8" I.D. X 1-3/32" P/HOLE
	BUSHING Cat #: 76724 Model/Part #: P-8-8666	1	BUSHING, SNAP 1- 3/8 ID X 1-3/4 PANELHOLE
A1	MODULE Cat #: 51H77 Model/Part #: 51H7701	1	"THERMOSTAT,24V"
CB10	BREAKER-CIRCUIT Cat #: 51H81 Model/Part #: 51H8101	1	480V(-40 UNITS)
CB10	BREAKER-CIRCUIT	1	480V(-20 UNITS)

Callout	Name	Quantity	Description
	Cat #: 51H82 Model/Part #: 51H8201		
CB10	BREAKER-CIRCUIT Cat #: 74H72 Model/Part #: 74H7201	1	480V(-30 UNITS)
K1/K2	CONTACTOR Cat #: 38393 Model/Part #: P-8-7736	2	"3PDT,24V"
K3	CONTACTOR-3PDT Cat #: 10G19 Model/Part #: 10G1901	1	"BLOWER-3PDT,24V"
T1	TRANSFORMER Cat #: 51H79 Model/Part #: 51H7901	1	"480V PRI,24V SEC,70VA,L/FUSE"
TB20	BOARD-TERMINAL Cat #: 51H73 Model/Part #: 51H7301	1	TERMINAL BOARD

COOLING PARTS

Callout	Name	Quantity	Description
	HEATER- CRANKCASEINTERNAL(FOOTNOTE 1) Cat #: Model/Part #:	2	
	SWITCH-LO PRESS Cat #: 11G09 Model/Part #: 11G0901	2	"OUT 25 PSIG,IN 55 PSIG"
	MOUNT PKG-COMP Cat #: 27G98 Model/Part #: 27G9801PR	1	27G9801PR COMP MT PK
	CLIP Cat #: 76G09 Model/Part #: 76G0901PR	1	PKG(OUTDOOR COIL)
	FREEZSTAT Cat #: 93G35 Model/Part #: 93G3501	1	THERMOSTAT
	NIPPLE Cat #: 66H22 Model/Part #: LB-54939D	1	"DRAIN PAN(3/4")"
	DISTRIBUTOR ASSY Cat #: 64G22 Model/Part #: LB-58067CB	2	DISTRIBUTOR S.A.
	NIPPLE Cat #: 67J33 Model/Part #: LB-65822	1	"DRAIN PAN(1")"

Callout	Name	Quantity	Description
	PAN-DRAIN Cat #: 55H09 Model/Part #: LB-81145CB	1	PAN S.A. #2, DRAIN
	CAP-SEAL Cat #: 66817 Model/Part #: P-8-1401	10	FITTING-PRESSURE TAP
	VALVE CORE Cat #: 66820 Model/Part #: P-8-1897	12	VALVE, CORE 8075910047
	CAP-SEAL Cat #: 58114 Model/Part #: P-8-3187	6	CAP, BRASS
	SHIELD-RAIN Cat #: 32621 Model/Part #: P-8-6142	2	SHIELD, MOTOR
23	DRIER Cat #: 58A64 Model/Part #: 58A6401	2	SUCTION LINE
23	DRIER Cat #: 69H10 Model/Part #: 69H1001	2	LIQUID LINE
24	WELL-THERMOMETER Cat #: 46G26 Model/Part #: LB-54392CH	2	LIQUID LINE
25	VALVE-EXPANSION Cat #: 28C13 Model/Part #: 28C1301	2	INDOOR-BOTT & TOP
26	SWITCH-LO AMB Cat #: 51H84 Model/Part #: 51H8401	2	"DISCHARGE LINE,OUT 150,IN 325"
27	SWITCH-HI PRESS Cat #: 85C87 Model/Part #: 85C8701	2	"DISCHARGE LINE,CUTOUT 410PSIG"
28	SUPPORT-COIL Cat #: 65H48 Model/Part #: LB-54902D	1	RIGHT-I.D.
29	SUPPORT-COIL Cat #: 65H46 Model/Part #: LB-54479CB	1	"LEFT-I.D.,W/DRIP SHIELD"
30	MOTOR-FAN Cat #: 40C98 Model/Part #: 40C9801	2	"1/2HP,1075RPM,460/60/1"
31	FAN Cat #: 43G38 Model/Part #: 43G3801	2	"1/2""BORE,22""DIA,4 BLADE"
40	CAPACITOR Cat #: 53H05 Model/Part #: 96C4201	2	"12.5MFD,370VAC"

Callout	Name	Quantity	Description
41	BRACKET Cat #: 81G62 Model/Part #: 81G6201	2	MOTOR MOUNT
42	COIL-OUTDOOR Cat #: 64G19 Model/Part #: LB-58324BA	1	FRONT-W/MANIFOLD-1ST STAGE
43	COIL-OUTDOOR Cat #: 64G20 Model/Part #: LB-58324BB	1	REAR-W/MANIFOLD-2ND STAGE
44	COIL-INDOOR Cat #: 64G16 Model/Part #: LB-58052CC	1	TOP-2ND STAGE-W/MANIFOLD
45	COIL-INDOOR Cat #: 64G17 Model/Part #: LB-58052CD	1	BOTTOM-1ST STAGE-W/MANIFOLD
B1/B2	COMPRESSOR Cat #: 78G21 Model/Part #: 78G2101	2	"5 TON,460/60/3,COPE"

ELECTRIC HEATING PARTS

Callout	Name	Quantity	Description
	ELEMENT-ELEC"A,B&C UNITS(FOOTNOTE 5)" Cat #: Model/Part #:	1	
	KNOB Cat #: 10B9101 Model/Part #: 10B9101	1	MAKEUP BOX COVER
	BUSHING-SNAP Cat #: 68H30 Model/Part #: P-8-10765	1	BUSHING, SNAP 17MM I.D. X 22MM PNL HOLE
	GROMMET Cat #: 36C66 Model/Part #: P-8-7324	2	BUSHING, SNAP 7/8" I.D. X 1-3/32" P/HOLE

Note:

Note1: SEE FIELD REPLACEMENT CRANKCASE HEATER CHART ON CRL CARD. Note2: FOR REPLACEMENT USE 72G27 ECH16-135-20. Note3: FOR REPLACEMENT USE 72G29 ECH16-135-40. Note4: FOR REPLACEMENT USE 72G11 ECH16-135 FUSE BLOCK. Note5: FOR REPLACEMENT USE 72G28 ECH16-135-30.