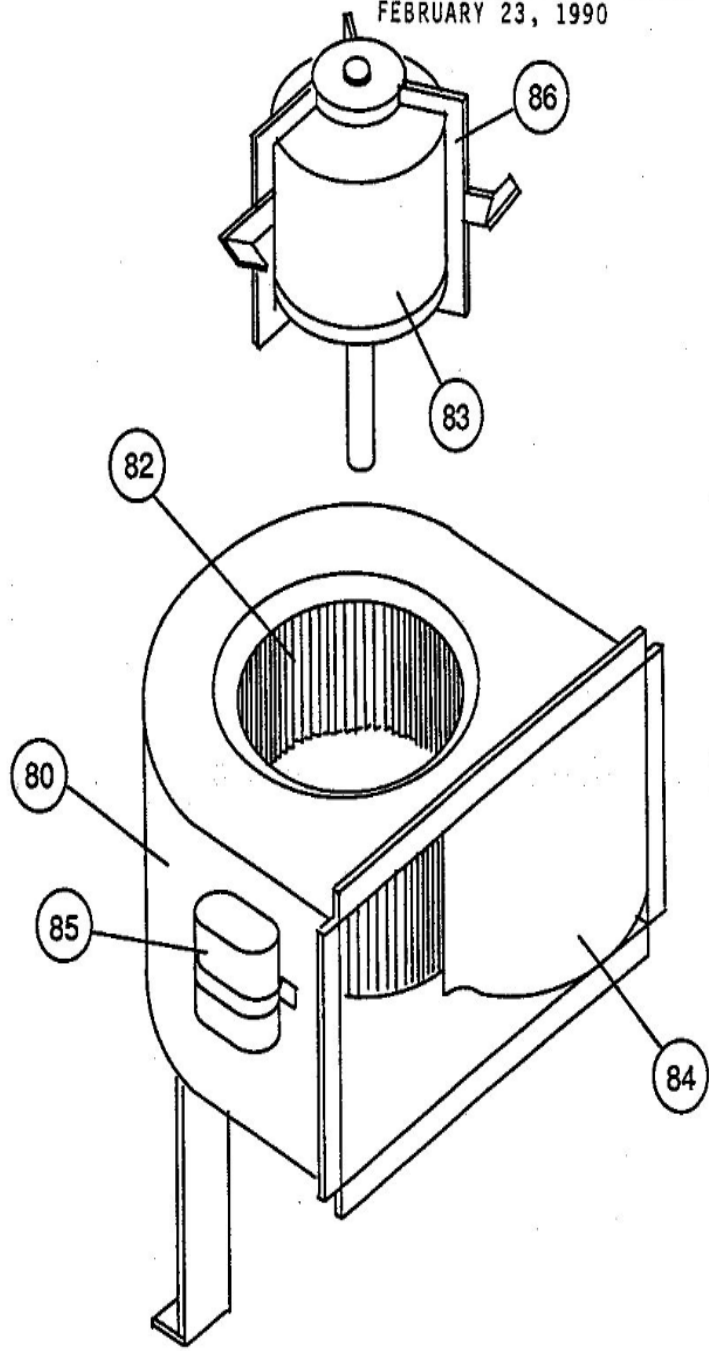
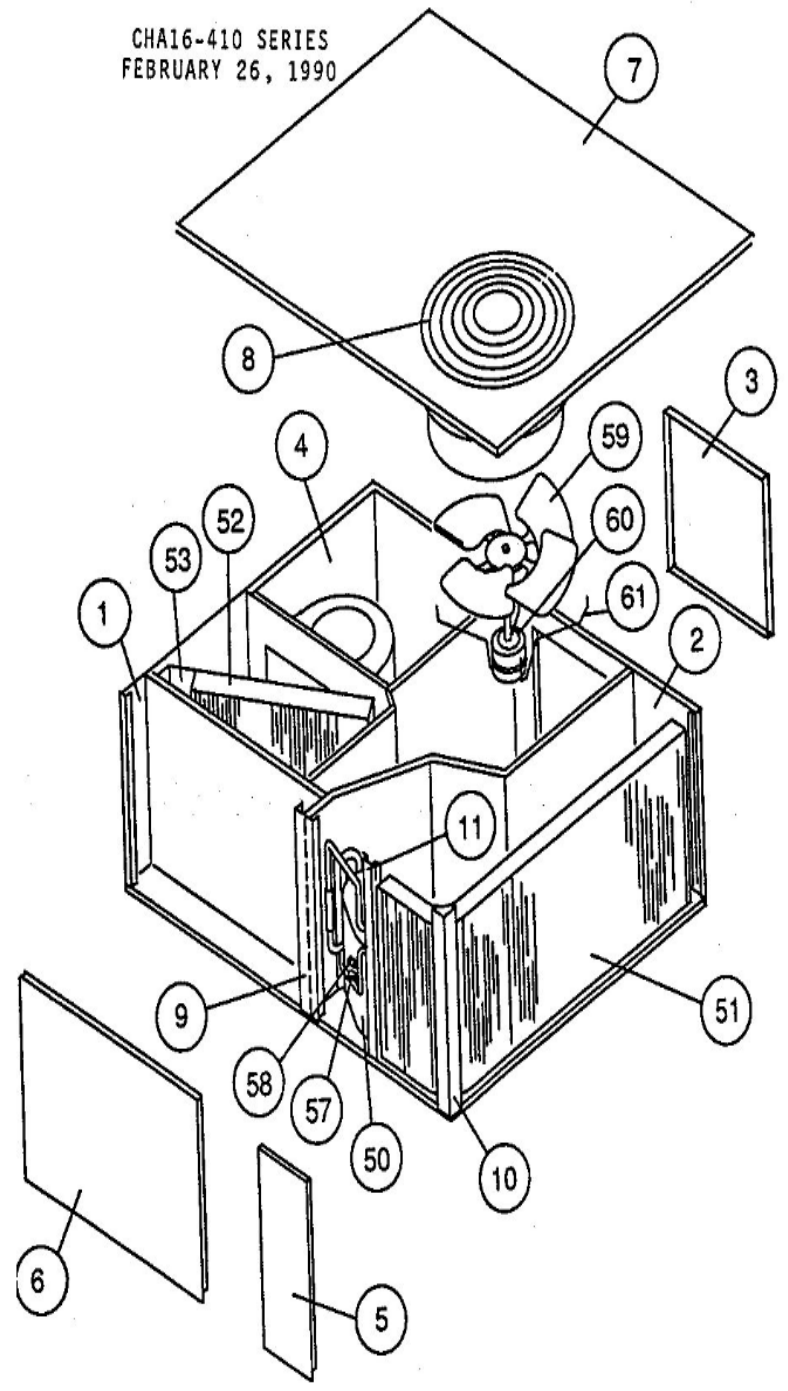


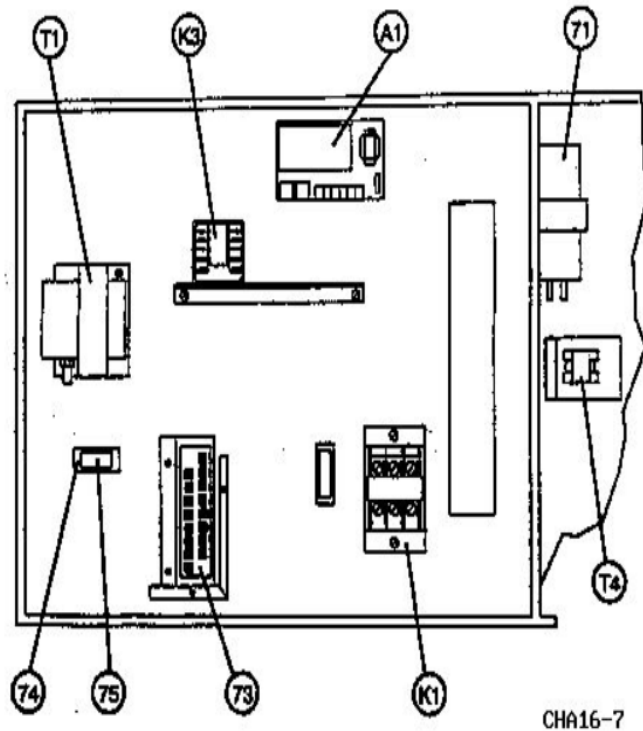
CHA16-261/651 SERIES-BLOWER PARTS  
FEBRUARY 23, 1990



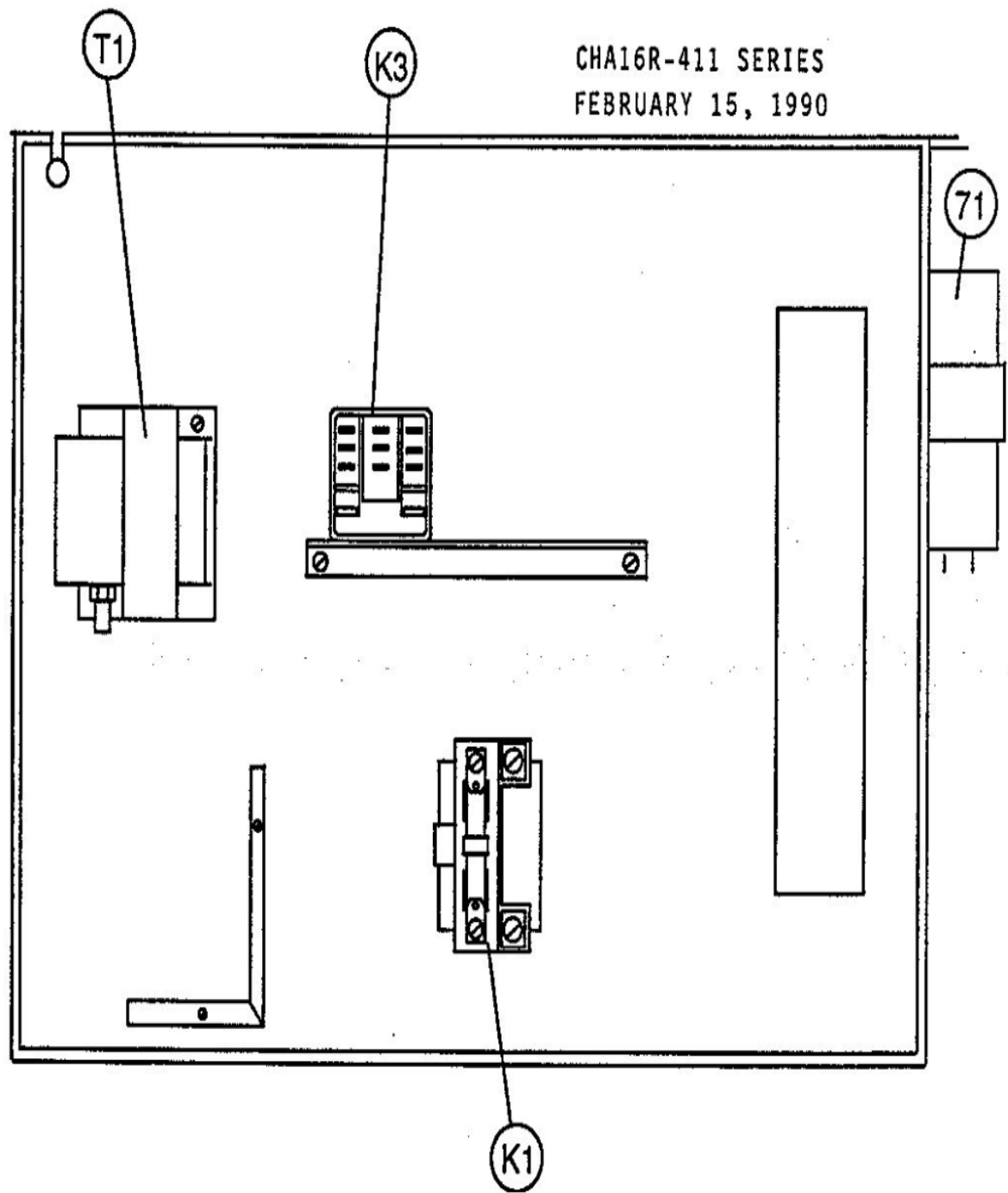
CHA16-410 SERIES  
FEBRUARY 26, 1990



CHA16-411/413 Series Control Panel  
January 28, 1993



CHA16R-411 SERIES  
FEBRUARY 15, 1990



Revision Number - 6

## \*OPTIONAL PARTS-FIELD INSTALLED

Callout	Name	Quantity	Description
	SWITCH Cat #: 27H67 Model/Part #: 27H6701	1	AIR FLOW
	SWITCH Cat #: 51H31 Model/Part #: 51H3101	1	DIRTY FILTER
	THERMOSTAT Cat #: 97H52 Model/Part #: 97H5201	1	ELEC-MODULE
	SENSOR Cat #: 97H54 Model/Part #: 97H5401	1	DISCHARGE
	PLATE Cat #: LB-63405DB Model/Part #: LB-63405DB	1	REMOTE SENSOR
	HARNESS-WIRING Cat #: 76H93 Model/Part #: LB-63547CA	1	WIRE HARNESS, P39, J39 SA
	PLUG Cat #: 57A25 Model/Part #: P-8-10686	1	PLUG-3 CIRCUIT
*****	SENSOR Cat #: 97H53 Model/Part #: 97H5301	1	(USED WITH NOVAR-ROOM AIR
*****	RETURN AIR KIT Cat #: 10J37 Model/Part #: LB-63352DB	1	INC NEXT 3 PARTS
*****	NOVAR CONTROL KIT Cat #: 91H21 Model/Part #: LB-63353CB	1	INC NEXT 5 PARTS

## BLOWER PARTS

Callout	Name	Quantity	Description
	BAND-MOTOR Cat #: 62A57 Model/Part #: 62A5701	1	(INTL ONLY-NO PAINT)
80	HOUSING-BLOWER Cat #: 40H52 Model/Part #: LB-78349CE	1	BLOWER HOUSING S.A.
80	HOUSING-BLOWER Cat #: 40H53 Model/Part #: LB-78349CF	1	(INTL ONLY)

<b>Callout</b>	<b>Name</b>	<b>Quantity</b>	<b>Description</b>
82	WHEEL-BLOWER Cat #: 21709 Model/Part #: LB-29333BH	1	"1/2"BORE,10-5/8" X 8"
83	MOTOR-BLOWER Cat #: 15B45 Model/Part #: 15B4501	1	"1/2HP,1350RPM,220-240/50/1 (INTL ONLY)"
83	MOTOR-BLOWER Cat #: 18H61 Model/Part #: 18H6101	1	"1/3HP,1075RPM,208-230/60/1 W/MOUNTS"
83	MOTOR-BLOWER Cat #: 28G16 Model/Part #: 28G1601	1	"1/2HP,1075RPM,460-575/60/1 W/MOUNTS"
84	PLATE-CUTOFF Cat #: 46H31 Model/Part #: LB-82078D	1	CUTOFF PLATE 10X7
85	CAPACITOR-FAN MTR Cat #: 53H02 Model/Part #: 81A3801	1	"5MFD,370VAC(208-230V)"
85	CAPACITOR Cat #: 81A39 Model/Part #: 81A3901	1	"7MFD,370VAC(INTL)"
85	CAPACITOR Cat #: 81A40 Model/Part #: 81A4001	1	"10MFD,370VA(460 & 575V)"
86	ARM-MOTOR MTG Cat #: 98G22 Model/Part #: 98G2201	3	(INTL ONLY-NO PAINT)
86	MOUNT-MTR Cat #: 68H05 Model/Part #: LB-63637A	3	(INTL ONLY-PAINTED)

## CABINET PARTS

<b>Callout</b>	<b>Name</b>	<b>Quantity</b>	<b>Description</b>
	NUT Cat #: 66A03 Model/Part #: 66A0301	4	GRILLE
	SUPPORT-FILTER Cat #: 77H99 Model/Part #: LB-62277CA	1	LEFT
	SUPPORT-FILTER Cat #: 77H98 Model/Part #: LB-62280CA	1	RIGHT
	FILTER	1	"16" X 25" X 1"

<b>Callout</b>	<b>Name</b>	<b>Quantity</b>	<b>Description</b>
	Cat #: 30335 Model/Part #: P-8-7822		
1	PANEL Cat #: 46H22 Model/Part #: LB-81971DA	1	REAR
2	PANEL Cat #: 34H98 Model/Part #: LB-61518CA	1	SUPPLY & RETURN
3	COVER Cat #: 46H28 Model/Part #: LB-61561DA	2	SUPPLY & RETURN
4	PANEL Cat #: 41H08 Model/Part #: LB-61560DA	1	BLOWER ACCESS
5	PANEL Cat #: 46H25 Model/Part #: LB-82201D	1	COMP ACCESS
6	PANEL Cat #: 46H23 Model/Part #: LB-81978DA	1	FRONT ACCESS
7	PANEL-TOP Cat #: 46H27 Model/Part #: LB-61517CB	1	PANEL-TOP SA
8	GRILLE-DISCHARGE Cat #: 63K59 Model/Part #: 63K5901	1	GRILLE-DISCHARGE
9	MULLION Cat #: 79H05 Model/Part #: LB-82615DA	1	CENTER FRONT
10	POST-CORNER Cat #: 38H22 Model/Part #: LB-61497D	1	POST CORNER (5 pcs blk)
11	MULLION Cat #: 46H26 Model/Part #: LB-82202D	1	COIL

## CONTROL PANEL PARTS

<b>Callout</b>	<b>Name</b>	<b>Quantity</b>	<b>Description</b>
	FUSE Cat #: 71G35 Model/Part #: 71G3501	1	"N3 TYPE, 3.5AMP, 125V (FOOTNOTE 1)"
	BLOCK-TERMINAL Cat #: 80K65 Model/Part #: 80K6501	1	(INTL)

Callout	Name	Quantity	Description
	HARNESS-WIRING Cat #: LB-95158 Model/Part #: LB-95158	1	CONTROL
	HARNESS-WIRING Cat #: LB-95163 Model/Part #: LB-95163	1	POWER(575V)
	HARNESS-WIRING Cat #: LB-95178 Model/Part #: LB-95178	1	POWER(460V)
	HARNESS-WIRING Cat #: LB-95179 Model/Part #: LB-95179	1	POWER(INTL)
	HARNESS-WIRING Cat #: LB-96162 Model/Part #: LB-96162	1	POWER(208-230V)
71	CAPACITOR-FAN&RUN Cat #: 53H29 Model/Part #: 33G0701	1	"45+5MFD,370VAC(208/230V,1PH)"
71	CAPACITOR-FAN MTR Cat #: 53H02 Model/Part #: 81A3801	1	"5MFD,370VAC(208-230V)"
71	CAPACITOR Cat #: 81A39 Model/Part #: 81A3901	1	"7MFD,370VAC(INTL)"
74	HOLDER-FUSE Cat #: 99C32 Model/Part #: 99C3201	1	(INTL ONLY)
75	FUSE Cat #: 99C09 Model/Part #: 99C0901	1	"SP TYPE,3AMP,250V"
K1	CONTACTOR Cat #: 65C69 Model/Part #: 65C6901	1	"SPST,24V(1PH)"
K1	CONTACTOR Cat #: 38393 Model/Part #: P- 8-7736	1	"3PDT,24V(3PH)"

Callout	Name	Quantity	Description
K3	RELAY Cat #: 69J57 Model/Part #: 69J5701	1	"BLR RELAY,DPDT,24V"
K3	RELAY Cat #: 69J58 Model/Part #: 69J5801	1	"BLR RELAY,3PDT,24V"
T1	TRANSFORMER Cat #: 13H28 Model/Part #: 13H2801	1	"208/240V PRI,24V SEC,70VA, L/FUSE"
T1	TRANSFORMER Cat #: 51H79 Model/Part #: 51H7901	1	"480V PRI,24V SEC,70VA,L/FUSE"
T1	TRANSFORMER Cat #: 66J54 Model/Part #: 66J5401	1	"600V PRI,24V SEC,70VA,L/FUSE"
T1	TRANSFORMER Cat #: 99C10 Model/Part #: 99C1001	1	"240V PRI,24V SEC,60VA,L/FUSE (INTL ONLY
T4	TRANSFORMER Cat #: 13H79 Model/Part #: 13H7901	1	"AUTO-575V PRI,460V SEC,3.4VA L/FUSE(575
TB32	TERMINAL-STRIP Cat #: 36F51 Model/Part #: 36F5101	1	STRIP, TERMINAL TAB-DISCONNECT

## COOLING PARTS

Callout	Name	Quantity	Description
	RELAY-OVERLOADCOMP-INTERNAL Cat #: Model/Part #:	1	
	MOUNT PKG-COMP Cat #: 49A67 Model/Part #: 49A7001PR	1	49A7001PR COMP MT PK
	DRIER Cat #: 58A63 Model/Part #: 58A6301	1	SUCTION LINE
	DRIER Cat #: 69H06 Model/Part #: 69H0601	1	LIQUID LINE

<b>Callout</b>	<b>Name</b>	<b>Quantity</b>	<b>Description</b>
	FITTING PRESS TAP Cat #: 86G64 Model/Part #: 86G6401	1	FITTING, PRESSURE TAP
	STRAINER Cat #: 93G1601 Model/Part #: 93G1601	1	STRAINER-3/4 O.D.X .035
	SEAL Cat #: 46H30 Model/Part #: LB-81985C	1	DRAIN PAN
	STRAINER ASSY Cat #: 41H88 Model/Part #: LB-82514DC	1	W/TUBES
	HARNESS-WIRING Cat #: 70M61 Model/Part #: LB-95181	1	FAN MOTOR(208/230V)
	VALVE CORE Cat #: 66820 Model/Part #: P-8-1897	1	VALVE, CORE 8075910047
	CAP-SEAL Cat #: 58114 Model/Part #: P-8-3187	1	CAP, BRASS
	SHIELD-RAIN Cat #: 32621 Model/Part #: P-8-6142	1	SHIELD, MOTOR
50	COMPRESSOR Cat #: 21J55 Model/Part #: 21J5501	1	"3TON,208-230/60/1,BRIS"
50	COMPRESSOR Cat #: 21J56 Model/Part #: 21J5601	1	"3TON,208-230/60/3,BRIS"
50	COMPRESSOR Cat #: 21J57 Model/Part #: 21J5701	1	"3TON,460/60/3,BRIS"
50	COMPRESSOR Cat #: 21J58 Model/Part #: 21J5801	1	"3TON,575/60/3,BRIS"
51	COIL-OUTDOOR Cat #: 41H29 Model/Part #: LB-62560CB	1	W/MANIFOLD
52	COIL-INDOOR Cat #: 41H35 Model/Part #: LB-82503CB	1	W/MANIFOLD
53	PAN-DRAIN Cat #: 46H29 Model/Part #: LB-61400CC	1	DRAIN PAN S.A.
59	FAN	1	"1/2""BORE,20""DIA,4

<b>Callout</b>	<b>Name</b>	<b>Quantity</b>	<b>Description</b>
	Cat #: 99C63 Model/Part #: 99C6301		BLADE"
60	MOTOR-FAN Cat #: 27H45 Model/Part #: 27H4501	1	"1/6HP,1075RPM,208-230/60/1"
60	MOTOR-FAN Cat #: 50F11 Model/Part #: 50F1101	1	"1/5HP,900RPM,220-240/50/1"
60	MOTOR-FAN Cat #: 87268 Model/Part #: P-8-11026	1	"1/4HP,1075RPM,460/60/1"
61	BRACKET-MTR MTG Cat #: 63K66 Model/Part #: 63K6601	1	MOUNT-MOTOR BRKT ASSY
S4	SWITCH-HI PRESS Cat #: 79J06 Model/Part #: 79J0601	1	OUT 410PSIG
S49	SWITCH-TEMP FREEZESTAT Cat #: 79J11 Model/Part #: 79J1101	1	"FREEZESTAT-OPEN 29F,CLOSE 50F"

**Note:**

Note1: EARLIER PRODUCTION UNITS HAD FUSED TRANSFORMERS WHICH USED THIS FUSE WHICH CAN BE ORDERED FOR REPLACEMENT.