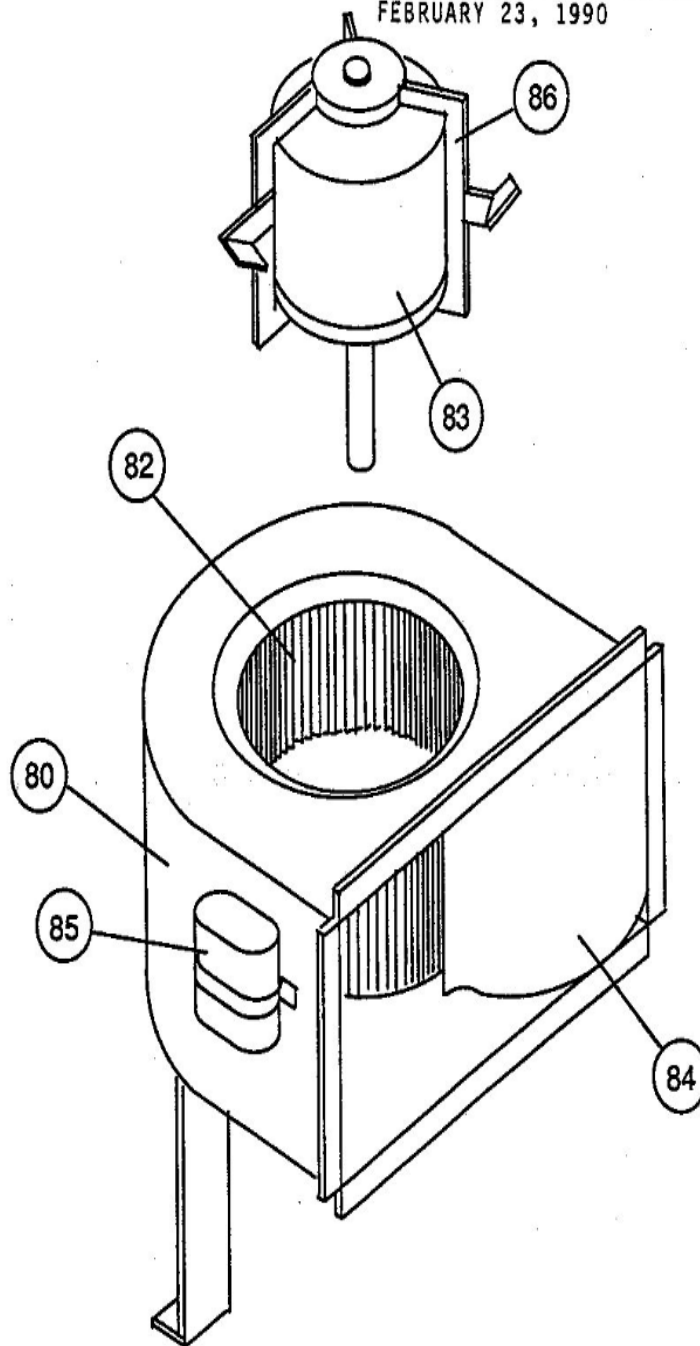
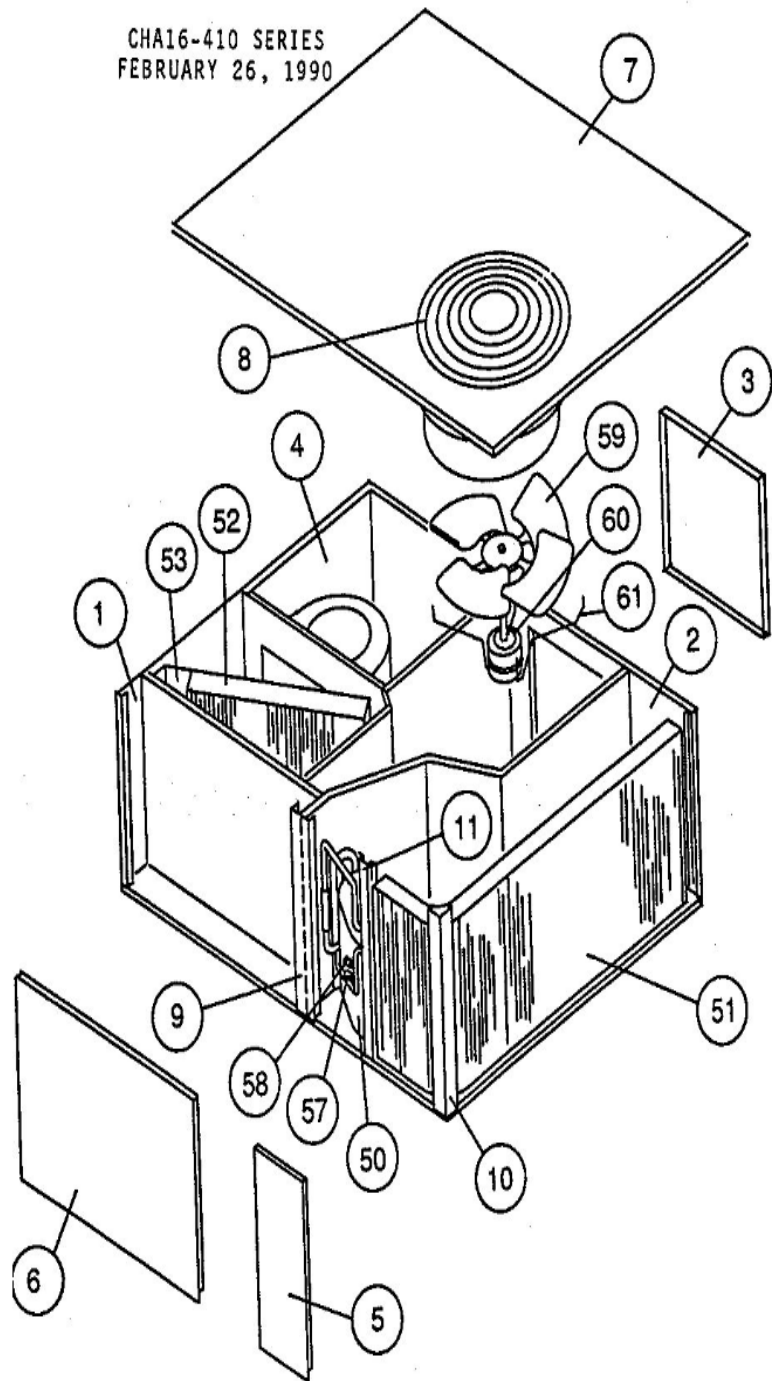


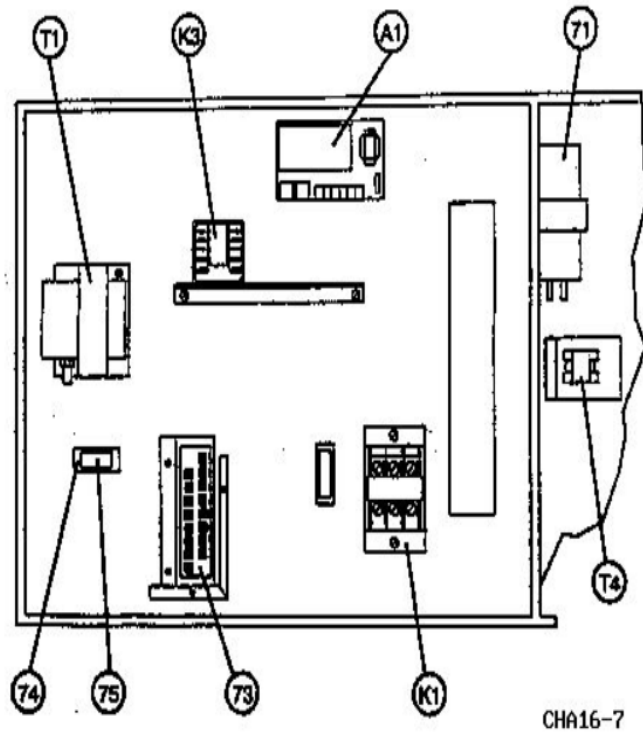
CHA16-261/651 SERIES-BLOWER PARTS
FEBRUARY 23, 1990



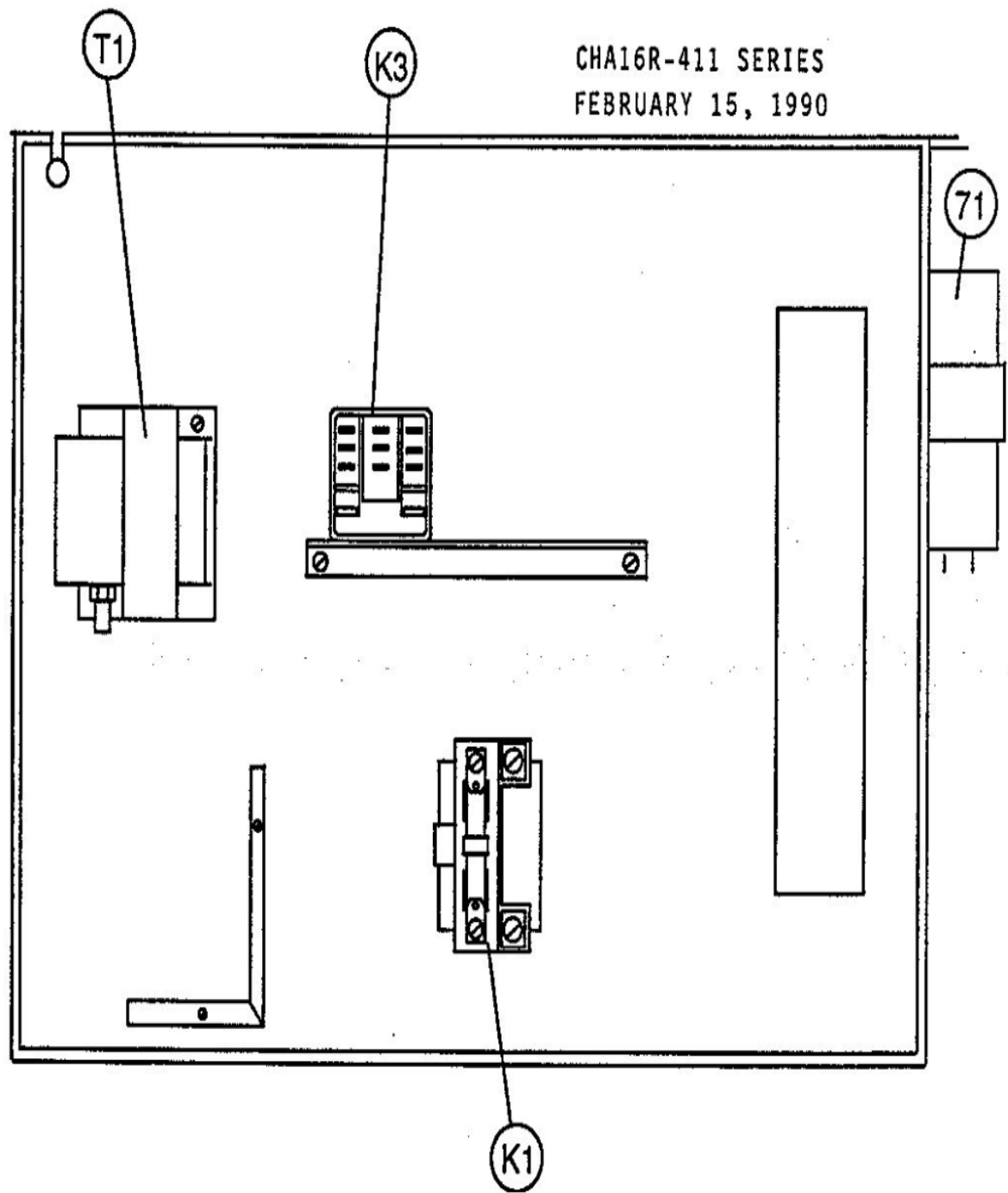
CHA16-410 SERIES
FEBRUARY 26, 1990



CHA16-411/413 Series Control Panel
January 28, 1993



CHA16R-411 SERIES
FEBRUARY 15, 1990



Callout	Name	Quantity	Description
	CHANNEL Cat #: 64K06 Model/Part #: LB-88651	1	CONDENSATE
	LIQUID LINE KIT Cat #: 69J46 Model/Part #: LB-95325A	1	"INCL 10 LIQUID LINES, WASHERS & NUTS"
20	COIL-INDOOR Cat #: 34M33 Model/Part #: LB-90287S	1	W/MANIFOLD
21	PAN-DRAIN Cat #: 68K32 Model/Part #: LB-90788C	1	PAN-DRAIN
22	PAN-DRAIN Cat #: 93J59 Model/Part #: 93J5901	1	(HORIZONTAL)
23	VALVE-EXPANSION CHECK - R410A Cat #: 12J19 Model/Part #: 104110-02	1	VALVE-EXPANSION CHECK - R410A

Note:

NOTE A: THE ALUMINUM ALTERNATE REPLACEMENT COIL LISTED MAY BE USED AS A REPLACEMENT FOR THE ORIGINAL COPPER COIL WHEN THE AIR HANDLER IS INSTALLED WITH AN AIR CONDITIONING OUTDOOR UNIT. THE ALUMINUM ALTERNATE REPLACEMENT COIL MAY BE INSTALLED WITH A HEAT PUMP, IF THE COIL IS AN APPROVED MATCH WITH THE HEAT PUMP. SEE LENNOX MATCHING CHARTS FOR THE HEAT PUMP. DISTRIBUTOR ASSEMBLIES ARE NOT SET UP AS A REPAIR PART. IF COIL HAS MULTIPLE LEAKS IN THE DISTRIBUTOR ASSEMBLY, THE COIL SHOULD BE REPLACED.