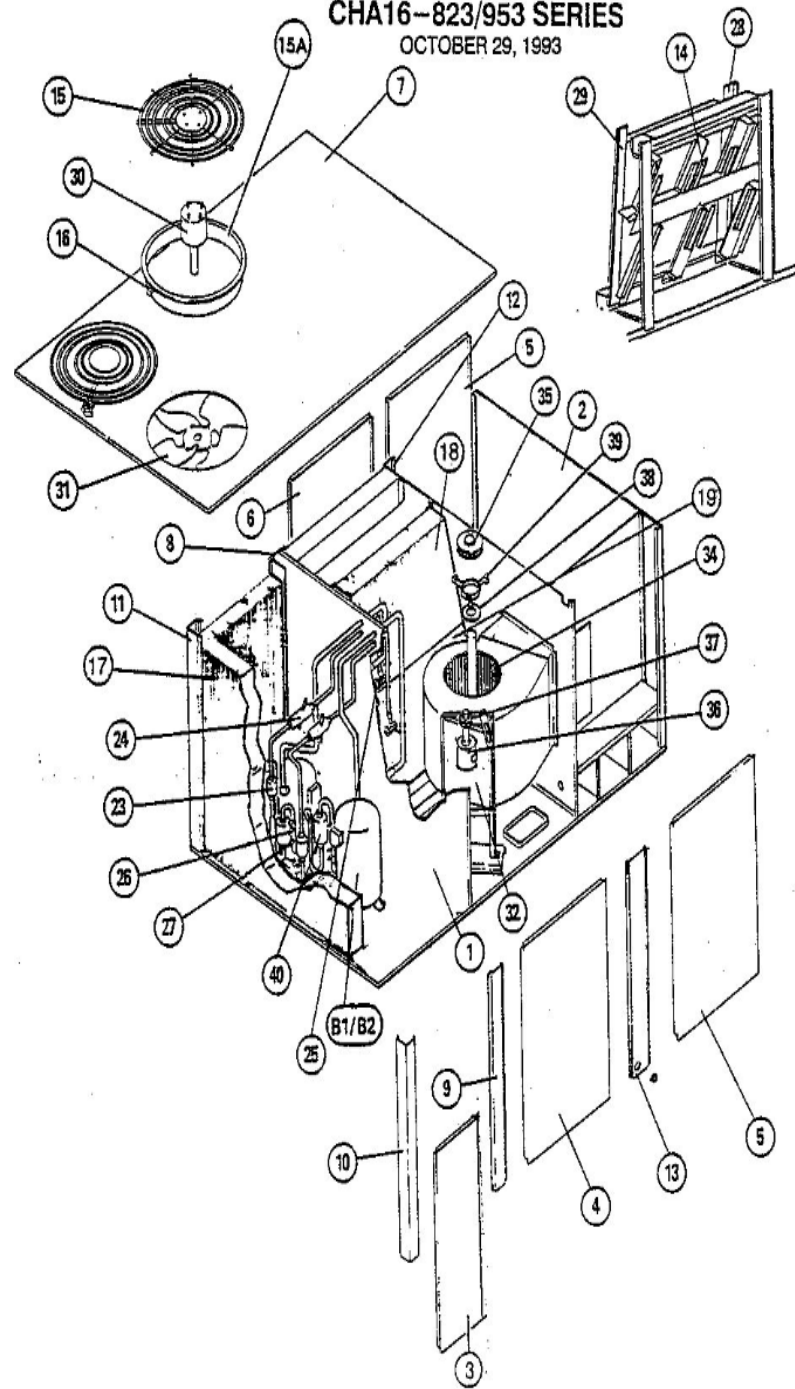


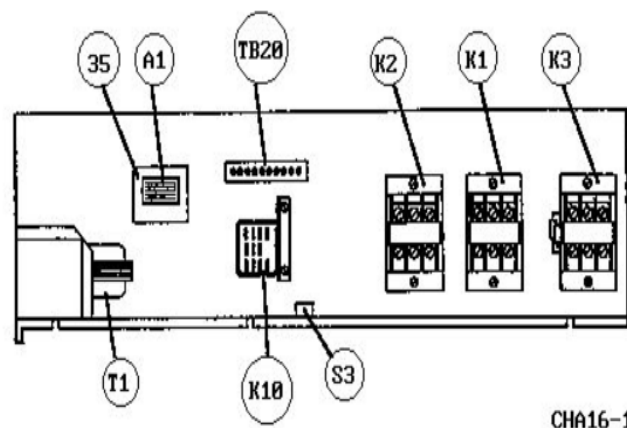
### CHA16-823/953 SERIES

OCTOBER 29, 1993



# CHA16-953 Control Panel

May 27, 1992



Revision Number - 4

## \*OPTIONAL PARTS-FIELD INSTALLED

Callout	Name	Quantity	Description
	PANEL-STATUS Cat #: 12F83 Model/Part #: 12F8301	1	SP11
	PANEL-STATUS Cat #: 12F84 Model/Part #: 12F8401	1	SSP11 SWITCHING
	THERMOSTAT Cat #: 13F06 Model/Part #: 13F0601	1	THERMOSTAT
	THERMOSTAT Cat #: 13F12 Model/Part #: 13F1201	1	THERMOSTAT
	SUBBASE Cat #: 13F16 Model/Part #: 13F1601	1	NON SWITCHING
	SUBBASE Cat #: 13F17 Model/Part #: 13F1701	1	SWITCHING
	SUBBASE Cat #: 13H76 Model/Part #: 13H7601	1	SWITCHING
	SENSOR Cat #: 13H89 Model/Part #: 13H8901	1	ROOM AIR
	SENSOR Cat #: 18H23 Model/Part #: 18H2301	1	DISCHARGE
	RELAY Cat #: 20G53 Model/Part #: 20G5301	1	SPDT
	RELAY Cat #: 24C41 Model/Part #: 24C4101	1	RELAY-DELAY
	TRANSMITTER Cat #: 25C51 Model/Part #: 25C5101	1	REMOTE
	THERMOSTAT Cat #: 25C52 Model/Part #: 25C5201	1	REMOTE
	SENSOR Cat #: 27C40 Model/Part #: 27C4001	1	REMOTE
	SWITCH Cat #: 27H67 Model/Part #: 27H6701	1	AIR FLOW

<b>Callout</b>	<b>Name</b>	<b>Quantity</b>	<b>Description</b>
	SWITCH Cat #: 27H68 Model/Part #: 27H6801	1	DIRTY FILTER
	RELAY Cat #: 28G38 Model/Part #: 28G3801	1	"DPDT,24V"
	THERMOSTAT Cat #: 36G62 Model/Part #: 36G6201	1	ROOM
	THERMOSTAT Cat #: 36G64 Model/Part #: 36G6401	1	REMOTE
	THERMOSTAT Cat #: 36G67 Model/Part #: 36G6701	1	T5010 PRO STAT
	SENSOR Cat #: 36G68 Model/Part #: 36G6801	1	REMOTE
	THERMOSTAT Cat #: 43C78 Model/Part #: 43C7801	1	THERMOSTAT
	RELAY Cat #: 36G37 Model/Part #: 43G0601	1	"4PDT,24V"
	RELAY Cat #: 43G49 Model/Part #: 43G4901	3	"DPDT,24V"
	CLOCK-TIME Cat #: 43G98 Model/Part #: 43G9801	1	7 DAY
	CLOCK-TIME Cat #: 43G99 Model/Part #: 43G9901	1	24 HR
	SENSOR Cat #: 51H71 Model/Part #: 51H7101	1	RETURN AIR
	RELAY Cat #: 43G49 Model/Part #: 54G4501	1	"DPDT,24V(60 HZ ONLY)"
	SENSOR Cat #: 58C92 Model/Part #: 58C9201	1	WALL MOUNT
	SUBBASE Cat #: 58C93 Model/Part #: 58C9301	1	SWITCHING-REMOTE
	SUBBASE Cat #: 58C94 Model/Part #: 58C9401	1	SWITCHING
	THERMOSTAT	1	T7300

<b>Callout</b>	<b>Name</b>	<b>Quantity</b>	<b>Description</b>
	Cat #: 81G59 Model/Part #: 81G5901		
	SUBBASE Cat #: 81G60 Model/Part #: 81G6001	1	SWITCHING
	SENSOR Cat #: 86G67 Model/Part #: 86G6701	1	ROOM TEMP W/OVERRIDE
	RELAY Cat #: 87F8401 Model/Part #: 87F8401	1	"4PDT,24V"
	FREEZSTAT Cat #: 93G35 Model/Part #: 93G3501	2	"SPST-OPEN 36,CLOSE 58"
	THERMOSTAT Cat #: LB-61178DA Model/Part #: LB-61178DA	1	MONITOR
	PANEL-RELAY Cat #: 15H05 Model/Part #: LB-61601CA	1	RELAY S.A.
	HARNESS-WIRING Cat #: 76H93 Model/Part #: LB-63547CA	1	WIRE HARNESS, P39, J39 SA
	TEE Cat #: 87071 Model/Part #: P-8-10569	1	SCHRADER DEPRESSOR
	PLUG Cat #: 57A25 Model/Part #: P-8-10686	1	PLUG-3 CIRCUIT
	NUT Cat #: 59498 Model/Part #: P-8-1218	2	FLARE
	KNOB-DIAL Cat #: 6882 Model/Part #: P-8-3096	1	FOR THERMOSTAT
	CAP-SEAL Cat #: 58114 Model/Part #: P-8-3187	1	CAP, BRASS
	FITTING Cat #: 59784 Model/Part #: P-8-4934	2	STRAIN RELIEF
	SWITCH-LO PRESS Cat #: 68493 Model/Part #: P-8-6383	1	"IN 285PSIG,OUT 140PSIG"

**BLOWER PARTS**

<b>Callout</b>	<b>Name</b>	<b>Quantity</b>	<b>Description</b>
	PLATE-CUTOFF Cat #: 21917 Model/Part #: LB-13363	1	CUTOFF PLATE
	KEY Cat #: 41G52 Model/Part #: LB-21259D	1	KEY
	BASE-MOTOR Cat #: 46G35 Model/Part #: LB-54480CA	1	BASE SA MOTOR FRAME
	SHAFT-BLOWER Cat #: 41G51 Model/Part #: LB-54482C	1	"1""DIA,23""
	BRACKET Cat #: 50G10 Model/Part #: LB-54537D	2	ADJUSTING-BLOWER MOUNT
	BELT Cat #: 61102 Model/Part #: P-8-7672	1	"47.3"" , ""A"" SECTION"
32	MOUNT-BLOWER Cat #: 56G20 Model/Part #: LB-54797CA	1	FRAME BLOWER SUB ASSY
33	HOUSING-BLOWER Cat #: 84G94 Model/Part #: LB-54481CA	1	BLOWER SUB ASSY
34	WHEEL-BLOWER Cat #: 21750 Model/Part #: LB-29333BW	1	"1""BORE,12-5/8""X12-5/8""
35	PULLEY-BLOWER Cat #: 23G84 Model/Part #: 23G8401	1	"1""BORE,7-1/4"" O.D.,SINGLE GROOVE"
36	MOTOR-BLOWER Cat #: 23G40 Model/Part #: 23G4001	1	"2HP,1725RPM,200-230/460/60/3"
37	PULLEY-MOTOR Cat #: 56930 Model/Part #: P-8-1488	1	"7/8""BORE,4.15""O.D., ""A-B"" SECT"
38	BEARING Cat #: 86H56 Model/Part #: 86H5601	2	"1""BALL-2-1/2""O.D."
39	BRACKET Cat #: 86H55 Model/Part #: 86H5501	2	BEARING-1 PC

## CABINET PARTS

<b>Callout</b>	<b>Name</b>	<b>Quantity</b>	<b>Description</b>
	GROMMET	1	FRONT BLOWER

<b>Callout</b>	<b>Name</b>	<b>Quantity</b>	<b>Description</b>
	Cat #: 33G32 Model/Part #: 33G3201		SECTION-MULLION
	FILTER-AIR Cat #: 56G46 Model/Part #: P-8-10876	4	"16""X20""X2"" ,SLAB"
	CLIP Cat #: 41G21 Model/Part #: P-8-158	2	CLIP-FILTER
1	PANEL Cat #: 65H75 Model/Part #: LB-54544CA	1	DIVISION
2	PANEL Cat #: 92G57 Model/Part #: LB-50890CA	1	END
3	PANEL Cat #: 44G46 Model/Part #: LB-54785CA	1	COMPRESSOR ACCESS
4	PANEL Cat #: 49G84 Model/Part #: LB-54364CB	1	BLOWER ACCESS
5	PANEL Cat #: 75G90 Model/Part #: LB-54364CG	2	HEAT SECTION
6	PANEL Cat #: 52G00 Model/Part #: LB-54364CC	1	FILTER ACCESS
7	PANEL-TOP Cat #: 31H65 Model/Part #: LB-54369CC	1	PANEL S.A. TOP
8	MULLION Cat #: 94G62 Model/Part #: LB-54382CA	1	REAR-CONDENSOR SECTION
9	MULLION Cat #: 88G38 Model/Part #: LB-54388CA	1	FRONT-CONDENSOR SECTION
10	MULLION Cat #: 85G18 Model/Part #: LB-54390CA	1	LEFT-FRONT
11	MULLION Cat #: 85G17 Model/Part #: LB-54380CA	1	LEFT-REAR
12	MULLION Cat #: 14H88 Model/Part #: LB-54384CA	1	REAR-HEAT SECTION
13	MULLION Cat #: 49G83 Model/Part #: LB-54386CA	1	FRONT-BLOWER SECTION
14	RETAINER-FILTER Cat #: 66H01 Model/Part #: LB-57356D	8	FILTER RETAINER

Callout	Name	Quantity	Description
15	GRILLE-DISCHARGE Cat #: 47C97 Model/Part #: LB-34250C	1	GRILLE-DISCHARGE
15A	RING-ORIFICE Cat #: 51G71 Model/Part #: LB-56338C	1	ORIFICE-24"

## CONTROL PANEL PARTS

Callout	Name	Quantity	Description
	FUSE Cat #: 71G35 Model/Part #: 71G3501	1	"N3 TYPE,3.5AMP,125V"
35	THERMOSTAT Cat #: 26H54 Model/Part #: 26H5401	1	ELEC- MODULE(NOVAR)
A1	BOARD Cat #: 51H72 Model/Part #: 51H7201	1	TRANSITION(NOVAR)
K10	RELAY Cat #: 43H89 Model/Part #: 43H8901	1	"DPDT,24V"
K2/K1	CONTACTOR Cat #: 38393 Model/Part #: P-8-7736	2	"3PDT,24V"
K3	CONTACTOR-3PDT Cat #: 10G19 Model/Part #: 10G1901	1	"BLOWER- 3PDT,24V"
S3	CONTROL-LIMIT Cat #: 43G36 Model/Part #: 43G3601	1	"SPST,OPEN 40F,CLOSE 50F"
T1	TRANSFORMER Cat #: 65G49 Model/Part #: 65G4901	1	"208/230V PRI,24V SEC,70VA W/FUSE"
T1	TRANSFORMER Cat #: 65G50 Model/Part #: 65G5001	1	"460V PRI,24V SEC,70VA,W/FUSE"
TB20	HARNESS-WIRING Cat #: 34J54 Model/Part #: LB-63378CA	1	TEST(NOVAR)

## COOLING PARTS

Callout	Name	Quantity	Description
	HEATER- CRANKCASEINTERNAL(FOOTNOTE)	1	

Callout	Name	Quantity	Description
1)	Cat #: Model/Part #:		
	BRACKET-MTR MTG Cat #: 45F27 Model/Part #: 45F2701	1	FAN MOTOR
	CLIP Cat #: 76G09 Model/Part #: 76G0901PR	1	PKG(OUTDOOR COIL)
	KIT-COMPR MTG Cat #: 87F70 Model/Part #: 87F7001PR	1	MOUNT PKG-COMP
	FREEZSTAT Cat #: 93G35 Model/Part #: 93G3501	1	THERMOSTAT
	NIPPLE Cat #: 66H08 Model/Part #: LB-54542D	1	"DRAIN PAN(3/4")"
	DISTRIBUTOR ASSY Cat #: 64G21 Model/Part #: LB-58067CA	2	DISTRIBUTOR S.A.
	NIPPLE Cat #: LB-69100 Model/Part #: LB-69100	1	"DRAIN PAN( 1")"
	DISTRIBUTOR Cat #: 87258 Model/Part #: P-8-10820	2	"LIQUID LINE,L/TUBES"
	DISTRIBUTOR Cat #: 87266 Model/Part #: P-8-10979	2	"DISCHARGE LINES,L/TUBES"
	CAP-SEAL Cat #: 66817 Model/Part #: P-8-1401	8	FITTING-PRESSURE TAP
	VALVE CORE Cat #: 66820 Model/Part #: P-8-1897	4	VALVE, CORE 8075910047
	CAP-SEAL	4	CAP, BRASS

Callout	Name	Quantity	Description
	Cat #: 58114 Model/Part #: P-8-3187		
	SHIELD-RAIN Cat #: 32621 Model/Part #: P-8-6142	1	SHIELD, MOTOR
16	CAPACITOR-FAN MTR Cat #: 96C44 Model/Part #: 96C4401	1	"20MFD,370VAC(208/230/460V)"
17	COIL-OUTDOOR Cat #: 91H67 Model/Part #: LB-58074BC	1	W/MANIFOLD
18	COIL-INDOOR Cat #: 91H65 Model/Part #: LB-58052CM	1	"TOP,W/MANIFOLD-2ND STG"
19	COIL-INDOOR Cat #: 91H66 Model/Part #: LB-58052CN	1	"BOTT,W/MANIFOLD-1ST STG"
20	PAN-DRAIN Cat #: 75H97 Model/Part #: LB-81749CB	1	PAN S.A. #1, DRAIN
21	SUPPORT-COIL Cat #: 66H09 Model/Part #: LB-54355D	1	END
22	SUPPORT-COIL Cat #: 66H10 Model/Part #: LB-54353D	1	REAR
23	DRIER Cat #: 12L71 Model/Part #: 12L7101	2	LIQUID LINE
23	DRIER Cat #: 63C98 Model/Part #: 63C9801	2	SUCTION LINE
24	WELL-THERMOMETER Cat #: 46G26 Model/Part #: LB-54392CH	2	LIQUID LINE
25	VALVE-EXPANSION	2	INDOOR-BOTTOM & TOP

Callout	Name	Quantity	Description
	Cat #: 62A48 Model/Part #: 62A4801		
26	SWITCH-LO PRESS Cat #: 85C23 Model/Part #: 85C2301	2	"DISCHARGE LINE,CUTOUT 25PSIG"
27	SWITCH-HI PRESS Cat #: 85C87 Model/Part #: 85C8701	2	"DISCHARGE LINE,CUTOUT 410PSIG"
28	SUPPORT-COIL Cat #: 66H11 Model/Part #: LB- 54472D	1	RIGHT-I.D.
29	SUPPORT-COIL Cat #: 66H12 Model/Part #: LB- 54479CA	1	"LEFT-I.D.,W/DRIP SHIELD"
30	MOTOR-FAN Cat #: 16F20 Model/Part #: 16F2001	1	"3/4HP,1060RPM,208-230/60/1"
30	MOTOR-FAN Cat #: 16F21 Model/Part #: 16F2101	1	"3/4HP,1060RPM,460/60/1"
31	FAN Cat #: 54G30 Model/Part #: 54G3001	1	"1/2""BORE,24""DIA,4 BLADE"
B1	COMPRESSOR Cat #: 21J61 Model/Part #: 21J6101	1	"4TON,200-230/60/3,BRIS (1ST STAGE)"
B1	COMPRESSOR Cat #: 21J62 Model/Part #: 21J6201	1	"4TON,460/60/3,BRIS (1ST STAGE)"
B2	COMPRESSOR Cat #: 21J67 Model/Part #: 21J6701	1	"3-1/2TON,200-230/60/3,BRIS (2ND STAGE)"
B2	COMPRESSOR Cat #: 21J68 Model/Part #: 21J6801	1	"3-1/2TON,460/60/3,BRIS (2ND STAGE)"

**ELECTRIC HEATING PARTS**

<b>Callout</b>	<b>Name</b>	<b>Quantity</b>	<b>Description</b>
	KNOB Cat #: 10B9101 Model/Part #: 10B9101	1	MAKEUP BOX COVER
	BLOCK-TERMINAL Cat #: 48G11 Model/Part #: 48G1101	1	MAKEUP BOX
	BUSHING-SNAP Cat #: 68H30 Model/Part #: P-8-10765	2	MAKEUP BOX
	FUSE Cat #: 37811 Model/Part #: P-8-2220	3	"FRS TYPE,30AMP,600V (460V UNITS)"
	FUSE Cat #: 60566 Model/Part #: P-8-5813	3	"FRS TYPE,25AMP,600V (575V UNITS)"
	BLOCK,FUSE Cat #: 37912 Model/Part #: P-8-5848	1	"FOR 60AMP,250V (208/230V UNITS)"
	FUSE Cat #: 37916 Model/Part #: P-8-5852	3	"FRN TYPE,60AMP,250V (208/230V UNITS)"
	BLOCK-FUSE Cat #: 60565 Model/Part #: P-8-7158	1	"FOR 30AMP,600V (460V & 575V UNITS)"
	GROMMET Cat #: 36C66 Model/Part #: P-8-7324	3	MAKEUP BOX

**Note:**

Note1: SEE FIELD REPLACEMENT CRANKCASE HEATER CHART ON CRL CARD.