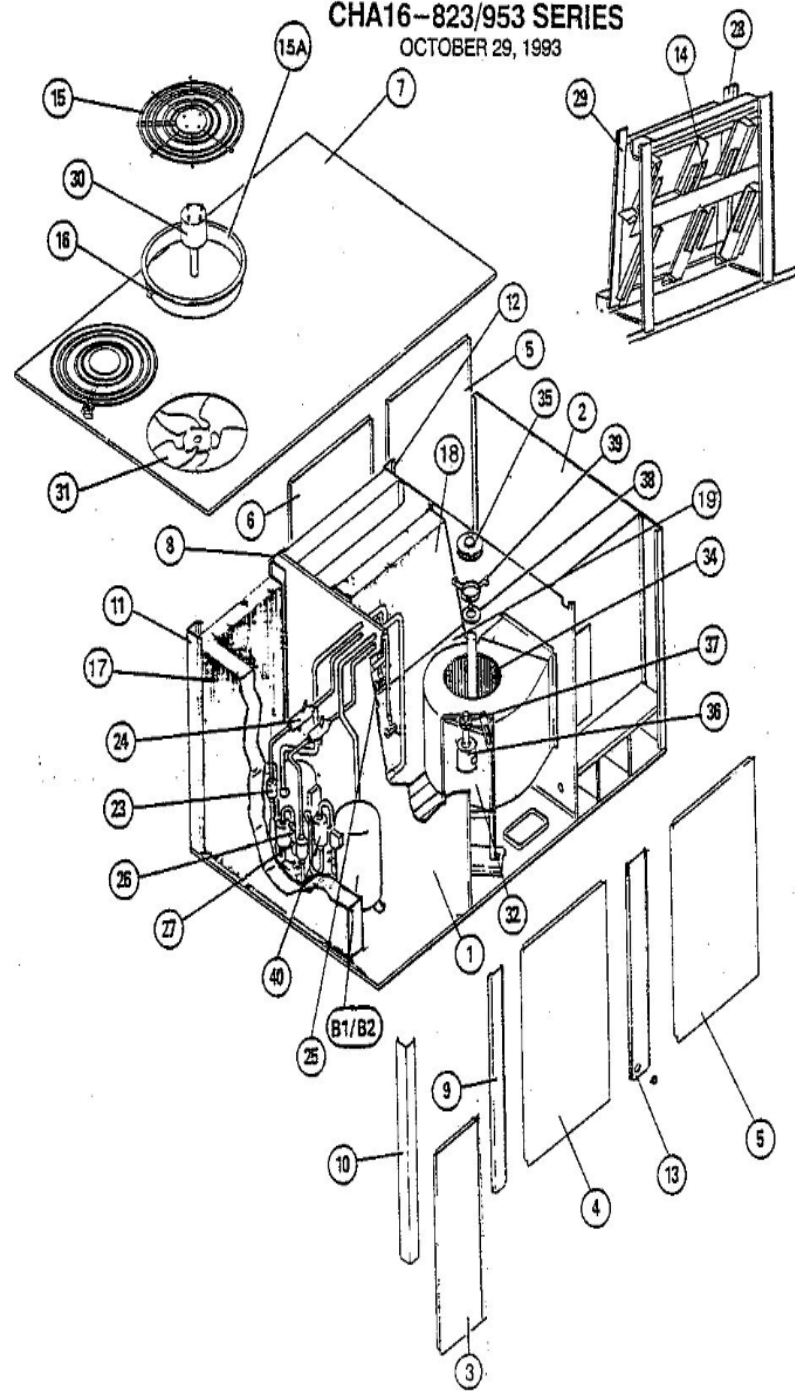
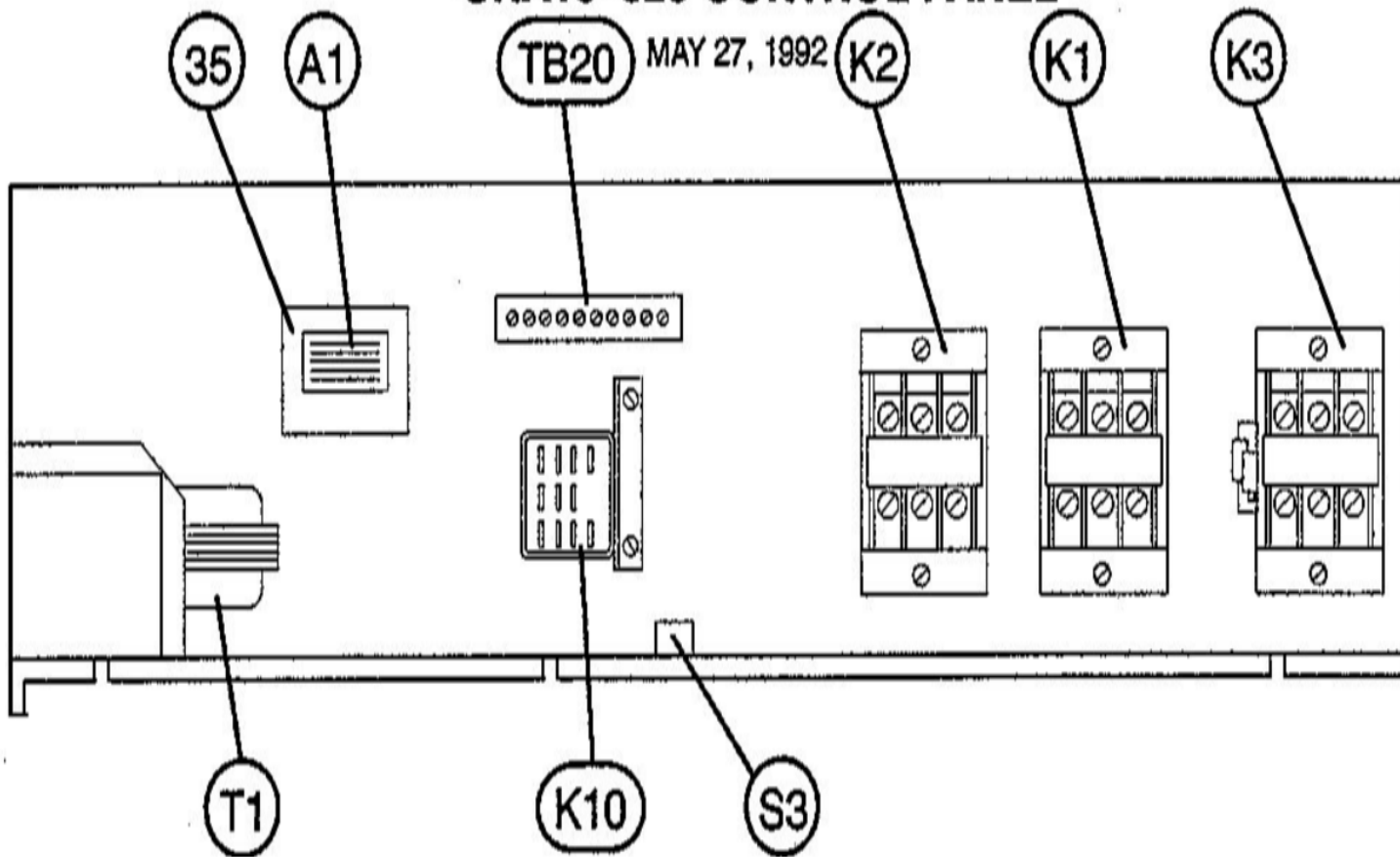


CHA16-823/953 SERIES

OCTOBER 29, 1993



CHA16-823 CONTROL PANEL



Revision Number - 1

*OPTIONAL PARTS-FIELD INSTALLED

Callout	Name	Quantity	Description
	PANEL-STATUS Cat #: 12F83 Model/Part #: 12F8301	1	SP11
	PANEL-STATUS Cat #: 12F84 Model/Part #: 12F8401	1	SSP11 SWITCHING
	THERMOSTAT Cat #: 13F06 Model/Part #: 13F0601	1	THERMOSTAT
	THERMOSTAT Cat #: 13F12 Model/Part #: 13F1201	1	THERMOSTAT
	SUBBASE Cat #: 13F16 Model/Part #: 13F1601	1	NON SWITCHING
	SUBBASE Cat #: 13F17 Model/Part #: 13F1701	1	SWITCHING
	SUBBASE Cat #: 13H76 Model/Part #: 13H7601	1	SWITCHING
	SENSOR Cat #: 18H23 Model/Part #: 18H2301	1	DISCHARGE
	RELAY Cat #: 20G53 Model/Part #: 20G5301	1	SPDT
	RELAY Cat #: 24C41 Model/Part #: 24C4101	1	RELAY-DELAY
	TRANSMITTER Cat #: 25C51 Model/Part #: 25C5101	1	REMOTE
	THERMOSTAT Cat #: 25C52 Model/Part #: 25C5201	1	REMOTE
	SENSOR Cat #: 27C40 Model/Part #: 27C4001	1	REMOTE
	SWITCH Cat #: 27H67 Model/Part #: 27H6701	1	AIR FLOW(NOVAR- LOCATED IN FILTER COMPART
	SWITCH	1	DIRTY

Callout	Name	Quantity	Description
	Cat #: 27H68 Model/Part #: 27H6801		FILTER(NOVAR- LOCATED IN FILTER COM
	RELAY Cat #: 28G38 Model/Part #: 28G3801	1	"DPDT,24V"
	THERMOSTAT Cat #: 36G62 Model/Part #: 36G6201	1	ROOM
	THERMOSTAT Cat #: 36G64 Model/Part #: 36G6401	1	REMOTE
	THERMOSTAT Cat #: 36G67 Model/Part #: 36G6701	1	T5010 PRO STAT
	SENSOR Cat #: 36G68 Model/Part #: 36G6801	1	REMOTE
	THERMOSTAT Cat #: 43C78 Model/Part #: 43C7801	1	THERMOSTAT
	RELAY Cat #: 36G37 Model/Part #: 43G0601	1	"4PDT,24V"
	RELAY Cat #: 43G49 Model/Part #: 43G4901	3	"DPDT,24V"
	CLOCK-TIME Cat #: 43G98 Model/Part #: 43G9801	1	7 DAY
	CLOCK-TIME Cat #: 43G99 Model/Part #: 43G9901	1	24 HR
	SENSOR Cat #: 51H71 Model/Part #: 51H7101	1	RETURN AIR
	RELAY Cat #: 43G49 Model/Part #: 54G4501	1	"DPDT,24V"
	SENSOR Cat #: 58C92 Model/Part #: 58C9201	1	WALL MOUNT
	SUBBASE Cat #: 58C93 Model/Part #: 58C9301	1	SWITCHING- REMOTE
	SUBBASE Cat #: 58C94 Model/Part #: 58C9401	1	SWITCHING

Callout	Name	Quantity	Description
	THERMOSTAT Cat #: 81G59 Model/Part #: 81G5901	1	T7300
	SUBBASE Cat #: 81G60 Model/Part #: 81G6001	1	SWITCHING
	SENSOR Cat #: 86G67 Model/Part #: 86G6701	1	ROOM TEMP W/OVERRIDE
	RELAY Cat #: 87F8401 Model/Part #: 87F8401	1	"4PDT,24V"
	FREEZSTAT Cat #: 93G35 Model/Part #: 93G3501	2	"SPST-OPEN 36F,CLOSE 58F"
	THERMOSTAT Cat #: LB-61178DA Model/Part #: LB-61178DA	1	MONITOR
	PANEL-RELAY Cat #: 15H05 Model/Part #: LB-61601CA	1	RELAY S.A.
	HARNESS-WIRING Cat #: 76H93 Model/Part #: LB-63547CA	1	WIRE HARNESS, P39, J39 SA
	TEE Cat #: 87071 Model/Part #: P-8-10569	1	SCHRADER DEPRESSOR
	PLUG Cat #: 57A25 Model/Part #: P-8-10686	1	PLUG-3 CIRCUIT
	NUT Cat #: 59498 Model/Part #: P-8-1218	2	FLARE
	KNOB-DIAL Cat #: 6882 Model/Part #: P-8-3096	1	FOR THERMOSTAT
	CAP-SEAL Cat #: 58114 Model/Part #: P-8-3187	1	CAP, BRASS
	FITTING Cat #: 59784 Model/Part #: P-8-4934	2	STRAIN RELIEF
	SWITCH-LO PRESS Cat #: 68493 Model/Part #: P-8-6383	1	"IN 285PSIG,OUT 140PSIG"

BLOWER PARTS

Callout	Name	Quantity	Description
	PLATE-CUTOFF Cat #: 21917 Model/Part #: LB-13363	1	CUTOFF PLATE
	KEY Cat #: 41G52 Model/Part #: LB-21259D	1	KEY
	BASE-MOTOR Cat #: 46G35 Model/Part #: LB-54480CA	1	BASE SA MOTOR FRAME
	SHAFT-BLOWER Cat #: 41G51 Model/Part #: LB-54482C	1	"1""DIA,23"" LENGTH"
	BRACKET Cat #: 50G10 Model/Part #: LB-54537D	2	ADJUSTING-BLR MOUNT
	BELT Cat #: 61102 Model/Part #: P-8-7672	1	"47.3"" , ""A"" SECTION"
32	MOUNT-BLOWER Cat #: 56G20 Model/Part #: LB-54797CA	1	FRAME BLOWER SUB ASSY
33	HOUSING-BLOWER Cat #: 84G94 Model/Part #: LB-54481CA	1	BLOWER SUB ASSY
34	WHEEL-BLOWER Cat #: 21750 Model/Part #: LB-29333BW	1	"1""BORE,12-5/8"" X 12-5/8""
35	PULLEY-BLOWER Cat #: 23G84 Model/Part #: 23G8401	1	"1""BORE,7-1/4""O.D.,SGL GROOVE"
36	MOTOR-BLOWER Cat #: 23G40 Model/Part #: 23G4001	1	"2HP,1725RPM,200-230/60/3"
36	MOTOR-BLOWER Cat #: 32657 Model/Part #: P-8-5685	1	"2HP,1725RPM,575/60/3"
37	PULLEY-MOTOR Cat #: 56930 Model/Part #: P-8-1488	1	"7/8""BORE,4.15""O.D., ""A-B"" SEC"
38	BEARING Cat #: 66020 Model/Part #: P-5-84	2	"1"" BORE"
39	BRACKET Cat #: 82G93 Model/Part #: LB-56689CA	2	BEARING

CABINET PARTS

Callout	Name	Quantity	Description
	CLIP-FILTER Cat #: 18H68 Model/Part #: 18H6801	2	CLIP
	GROMMET Cat #: 33G32 Model/Part #: 33G3201	1	FRONT BLOWER SECTION-MULLION
	FILTER-AIR Cat #: 56G46 Model/Part #: P-8-10876	4	"16"" X 20"" X 2"" ,SLAB"
1	PANEL Cat #: 65H75 Model/Part #: LB-54544CA	1	DIVISION
2	PANEL Cat #: 92G57 Model/Part #: LB-50890CA	1	END
3	PANEL Cat #: 44G46 Model/Part #: LB-54785CA	1	COMPRESSOR ACCESS
4	PANEL Cat #: 49G84 Model/Part #: LB-54364CB	1	BLOWER ACCESS
5	PANEL Cat #: 75G90 Model/Part #: LB-54364CG	2	HEAT SECTION
6	PANEL Cat #: 52G00 Model/Part #: LB-54364CC	1	FILTER ACCESS
7	PANEL-TOP Cat #: 21H99 Model/Part #: LB-54369CB	1	PANEL S.A. TOP
8	MULLION Cat #: 94G62 Model/Part #: LB-54382CA	1	REAR-CONDENSOR SECTION
9	MULLION Cat #: 88G38 Model/Part #: LB-54388CA	1	FRONT- CONDENSOR SECTION
10	MULLION Cat #: 85G18 Model/Part #: LB-54390CA	1	LEFT-FRONT
11	MULLION Cat #: 85G17 Model/Part #: LB-54380CA	1	LEFT-REAR
12	MULLION Cat #: 14H88 Model/Part #: LB-54384CA	1	REAR-HEAT SECTION
13	MULLION Cat #: 49G83 Model/Part #: LB-54386CA	1	FRONT-BLOWER SECTION

Callout	Name	Quantity	Description
14	RETAINER-FILTER Cat #: 66H01 Model/Part #: LB-57356D	8	FILTER RETAINER
15	GRILLE-DISCHARGE Cat #: 28G31 Model/Part #: 28G3101	1	GRILLE-DISCHARGE
15A	RING-ORIFICE Cat #: 46G34 Model/Part #: LB-54484B	1	FAN ORIFICE

CONTROL PANEL PARTS

Callout	Name	Quantity	Description
	FUSE Cat #: 71G35 Model/Part #: 71G3501	1	"N3 TYPE,3.5AMP,125V"
35	THERMOSTAT Cat #: 26H54 Model/Part #: 26H5401	1	ELEC-MODULE(NOVAR)
A1	BOARD Cat #: 51H72 Model/Part #: 51H7201	1	TRANSITION(NOVAR)
K10	RELAY Cat #: 43H89 Model/Part #: 43H8901	1	"DPDT,24V"
K2/K1	CONTACTOR Cat #: 38393 Model/Part #: P-8-7736	2	"3PDT,24V"
K3	CONTACTOR-3PDT Cat #: 10G19 Model/Part #: 10G1901	1	"BLOWER-3PDT,24V"
S3	CONTROL-LIMIT Cat #: 43G36 Model/Part #: 43G3601	1	"SPST,OPEN 40F,CLOSE 50F"
T1	TRANSFORMER Cat #: 65G49 Model/Part #: 65G4901	1	"208/230V PRI,24V SEC,70VA W/FUSE"
T1	TRANSFORMER Cat #: 65G50 Model/Part #:	1	"460VPRI,24VSEC,70VA,W/FUSE"

Callout	Name	Quantity	Description
	65G5001		
T1	TRANSFORMER Cat #: 65G51 Model/Part #: 65G5101	1	"575VPRI,24VSEC,70VA,W/FUSE"
TB20	HARNESS-WIRING Cat #: 34J54 Model/Part #: LB- 63378CA	1	TEST(NOVAR)

COOLING PARTS

Callout	Name	Quantity	Description
	HEATER- CRANKCASEINTERNAL(FOOTNOTE 1) Cat #: Model/Part #:	2	
	MOUNT PKG-COMP Cat #: 49A67 Model/Part #: 49A7001PR	2	49A7001PR COMP MT PK
	DRIER Cat #: 58A63 Model/Part #: 58A6301	2	SUCTION LINE
	CLIP Cat #: 76G0901 Model/Part #: 76G0901	1	PKG(OUTDOOR COIL)
	FREEZSTAT Cat #: 93G35 Model/Part #: 93G3501	1	THERMOSTAT
	NIPPLE Cat #: 66H08 Model/Part #: LB-54542D	1	"DRAIN PAN(3/4")"
	DISTRIBUTOR ASSY Cat #: 64G21 Model/Part #: LB- 58067CA	2	DISTRIBUTOR S.A.
	NIPPLE Cat #: LB-69100 Model/Part #: LB- 69100	1	"DRAIN PAN(1")"
	PLUG Cat #: 57A25 Model/Part #: P-8-10686	1	RETURN AIR(NOVAR- LOCATED IN FILTER COMPA
	CAP-SEAL Cat #: 66817 Model/Part #: P-8-1401	8	FITTING-PRESSURE TAP

Callout	Name	Quantity	Description
	VALVE CORE Cat #: 66820 Model/Part #: P-8-1897	4	VALVE, CORE 8075910047
	CAP-SEAL Cat #: 58114 Model/Part #: P-8-3187	4	CAP, BRASS
16	CAPACITOR Cat #: 81A40 Model/Part #: 81A4001	1	"10MFD,370VAC(575V ONLY)"
16	CAPACITOR Cat #: 53H05 Model/Part #: 96C4201	1	"12.5MFD,370VAC(460V ONLY)"
16	CAPACITOR-FAN MTR Cat #: 53H06 Model/Part #: 96C4301	1	"15MFD,370VAC(208/230V ONLY)"
17	COIL-OUTDOOR Cat #: 64G18 Model/Part #: LB-58074BA	1	L/MANIFOLD
18	COIL-INDOOR Cat #: 64G14 Model/Part #: LB-58052CA	1	"TOP,W/MANIFOLD-2ND STG"
19	COIL-INDOOR Cat #: 64G15 Model/Part #: LB-58052CB	1	"BOTT,W/MANIFOLD-1ST STG"
20	PAN-DRAIN Cat #: 55H09 Model/Part #: LB-81145CB	1	PAN S.A. #2, DRAIN
21	SUPPORT-COIL Cat #: 66H09 Model/Part #: LB-54355D	1	END
22	SUPPORT-COIL Cat #: 66H10 Model/Part #: LB-54353D	1	REAR
23	DRIER Cat #: 69H06 Model/Part #: 69H0601	2	LIQUID LINE
24	WELL-THERMOMETER Cat #: 46G26 Model/Part #: LB-54392CH	2	LIQUID LINE
25	VALVE-EXPANSION Cat #: 62A48 Model/Part #: 62A4801	2	VALVE, EXPANSION - NLA USE 60L27
27	SWITCH-LO PRESS Cat #: 85C23 Model/Part #: 85C2301	2	"DISCHARGE,CUTOUT 25PSIG"

Callout	Name	Quantity	Description
27	SWITCH-HI PRESS Cat #: 85C87 Model/Part #: 85C8701	2	"DISCHARGE,CUTOUT 410PSIG"
28	SUPPORT-COIL Cat #: LB54472D Model/Part #: LB54472D	1	RIGHT-I.D.
29	SUPPORT-COIL Cat #: 66H12 Model/Part #: LB- 54479CA	1	"LEFT-I.D.,W/DRIP SHIELD"
30	MOTOR-FAN Cat #: 25G20 Model/Part #: 25G2001	1	"1/2HP,1075RPM,575/60/1"
30	MOTOR-FAN Cat #: 25G21 Model/Part #: 25G2101	1	"1/2HP,1075RPM,460/60/1"
30	MOTOR-FAN Cat #: 25G22 Model/Part #: 25G2201	1	"1/2HP,1075RPM,208- 230/60/1"
31	FAN Cat #: 23G83 Model/Part #: 23G8301	1	"1/2""BORE,24""DIA,4 BLADE"
A2	SENSOR Cat #: 97H54 Model/Part #: 97H5401	1	DISCHARGE(NOVAR- LOCATED IN FILTER COMPAR
B1/B2	COMPRESSOR Cat #: 29C90 Model/Part #: 29C9001	2	"3TON,200- 230/60/3,COPE"
B1/B2	COMPRESSOR Cat #: 39H10 Model/Part #: 39H1001	2	"3TON,575/60/3,COPE"
B1/B2	COMPRESSOR Cat #: 68J59 Model/Part #: 50F5801	2	"3TON,460/60/3,COPE"
RT1	SENSOR Cat #: 97H54 Model/Part #: 97H5401	1	DISCHARGE(NOVAR- LOCATED IN FILTER COMPAR
S27	SWITCH Cat #: 27H68 Model/Part #: 27H6801	1	DIRTY FILTER(NOVAR- LOCATED IN FILTER COM
S52	SWITCH Cat #: 27H67 Model/Part #: 27H6701	1	AIR FLOW(NOVAR- LOCATED IN FILTER COMPART

ELECTRIC HEATING PARTS

Callout	Name	Quantity	Description
	KNOB Cat #: 10B9101 Model/Part #: 10B9101	1	MAKEUP BOX COVER
	BLOCK-TERMINAL Cat #: 48G11 Model/Part #: 48G1101	1	MAKEUP BOX
	BUSHING-SNAP Cat #: 68H30 Model/Part #: P-8-10765	2	MAKEUP BOX
	FUSE Cat #: 37811 Model/Part #: P-8-2220	3	"FRS TYPE,30AMP,600V (460V UNITS)"
	FUSE Cat #: 60566 Model/Part #: P-8-5813	3	"FRS TYPE,25AMP,600V (575V UNITS)"
	BLOCK,FUSE Cat #: 37912 Model/Part #: P-8-5848	1	"FOR 60AMP,250V (208/230V UNITS)"
	FUSE Cat #: 37916 Model/Part #: P-8-5852	3	"FRN TYPE,60AMP,250V (208/230V UNITS)"
	BLOCK-FUSE Cat #: 60565 Model/Part #: P-8-7158	1	"FOR 30AMP,600V (460V & 575V UNITS)"
	GROMMET Cat #: 36C66 Model/Part #: P-8-7324	3	MAKEUP BOX

Note:

Note1: SEE FIELD REPLACEMENT CRANKCASE HEATER CHART ON CRL CARD.