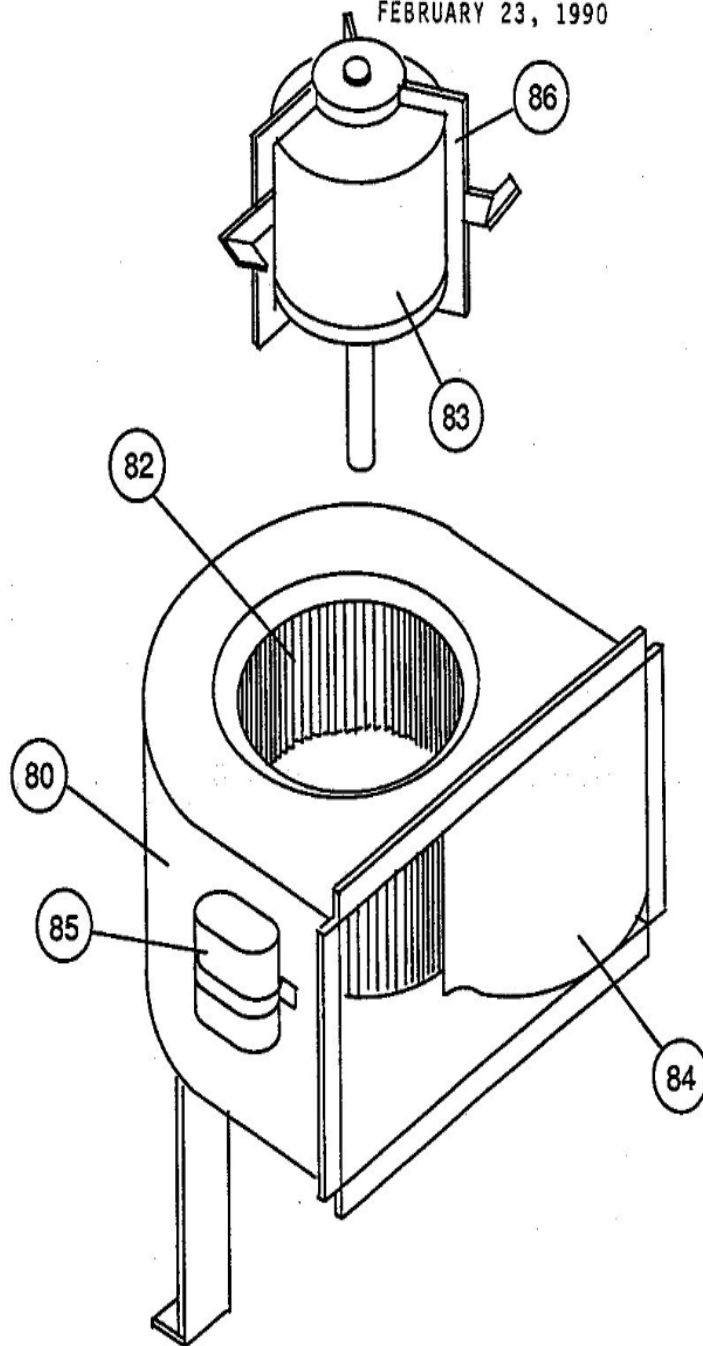
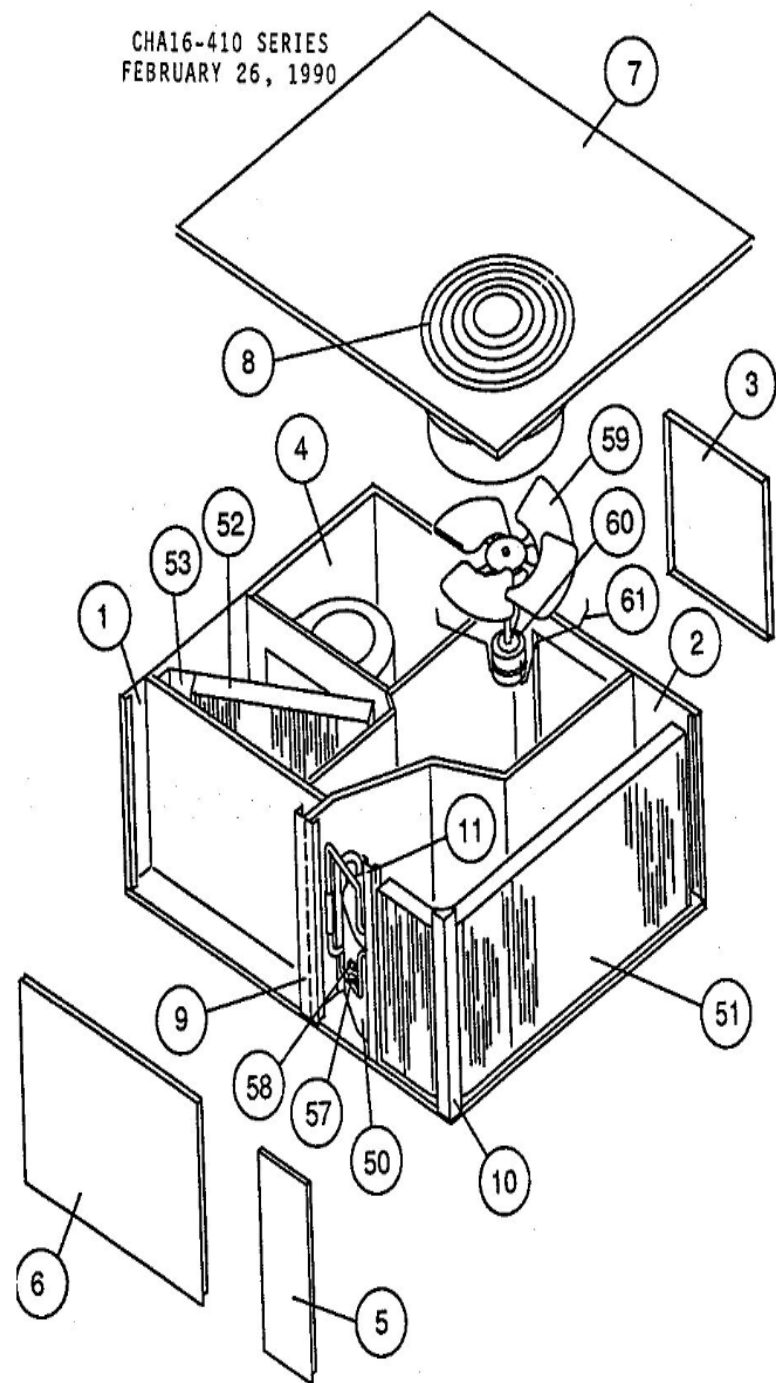


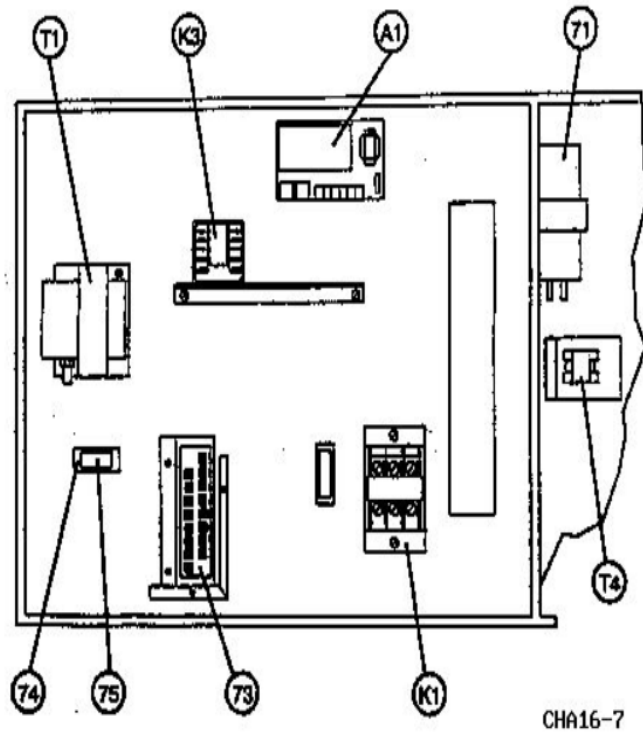
CHA16-261/651 SERIES-BLOWER PARTS
FEBRUARY 23, 1990



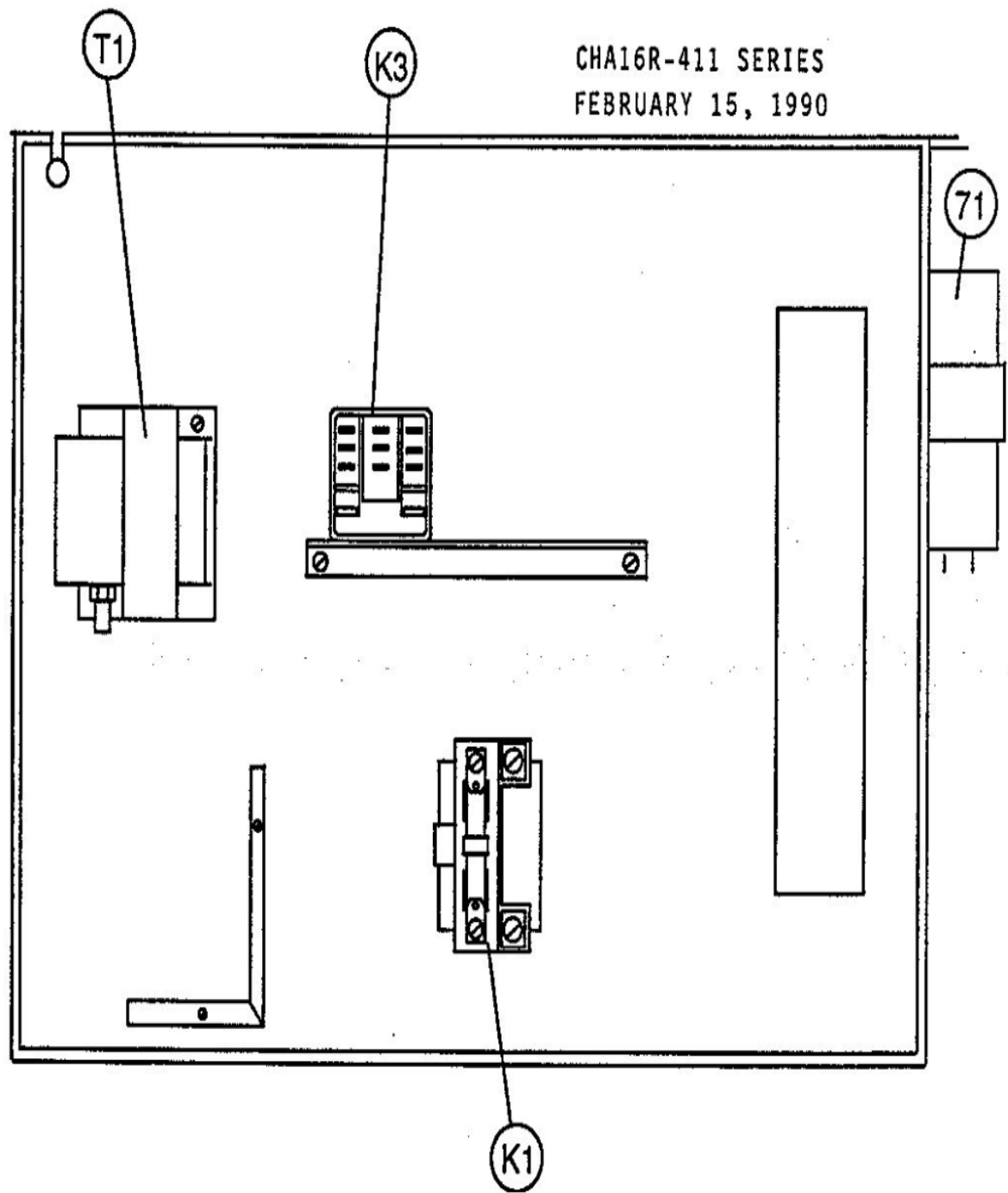
CHA16-410 SERIES
FEBRUARY 26, 1990



CHA16-411/413 Series Control Panel
January 28, 1993



CHA16R-411 SERIES
FEBRUARY 15, 1990



Callout	Name	Quantity	Description
22	PAN-DRAIN Cat #: 93J58 Model/Part #: 93J5801	1	(HORIZONTAL)
23	VALVE-EXPANSION Cat #: 37J69 Model/Part #: 37J6901	1	VALVE- EXPANSION/CHECK- R22

Note:

Note1: DISTRIBUTOR ASSEMBLIES ARE NOT SET UP AS A REPAIR PART. IF COIL HAS MULTIPLE LEAKS IN THE DISTRIBUTOR ASSEMBLY, THE COIL SHOULD BE REPLACED.