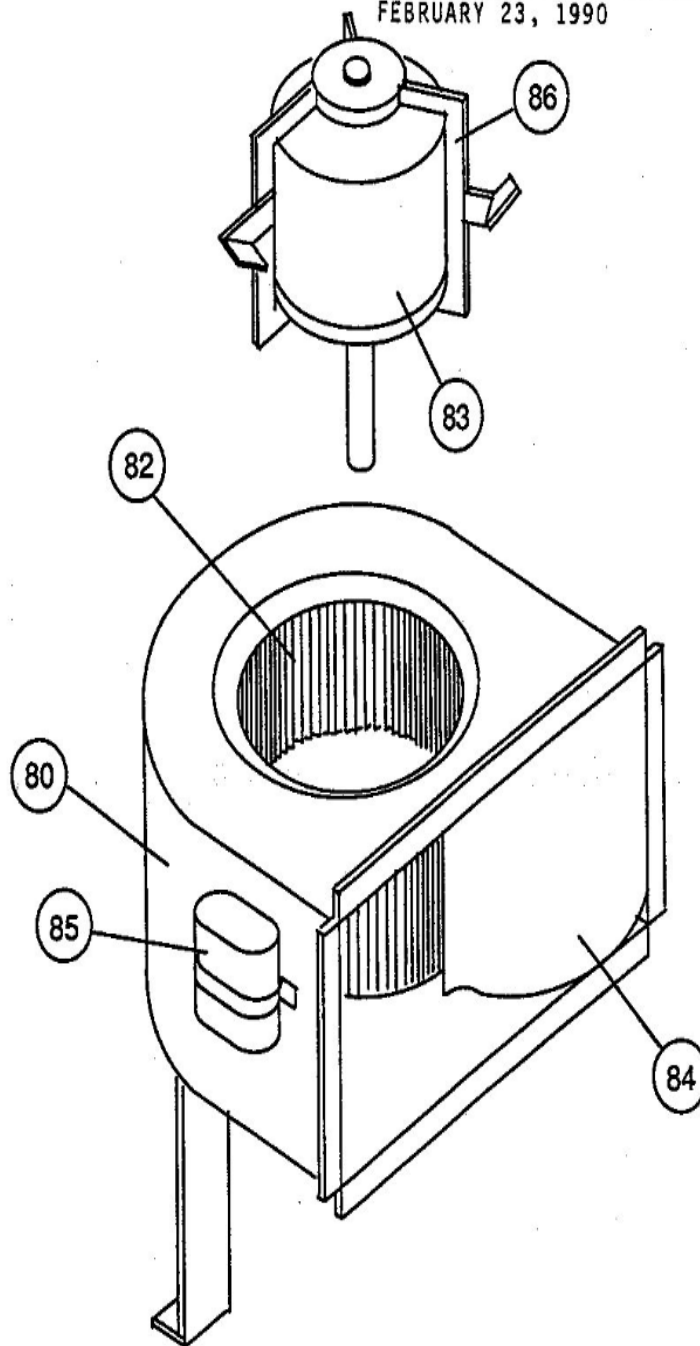
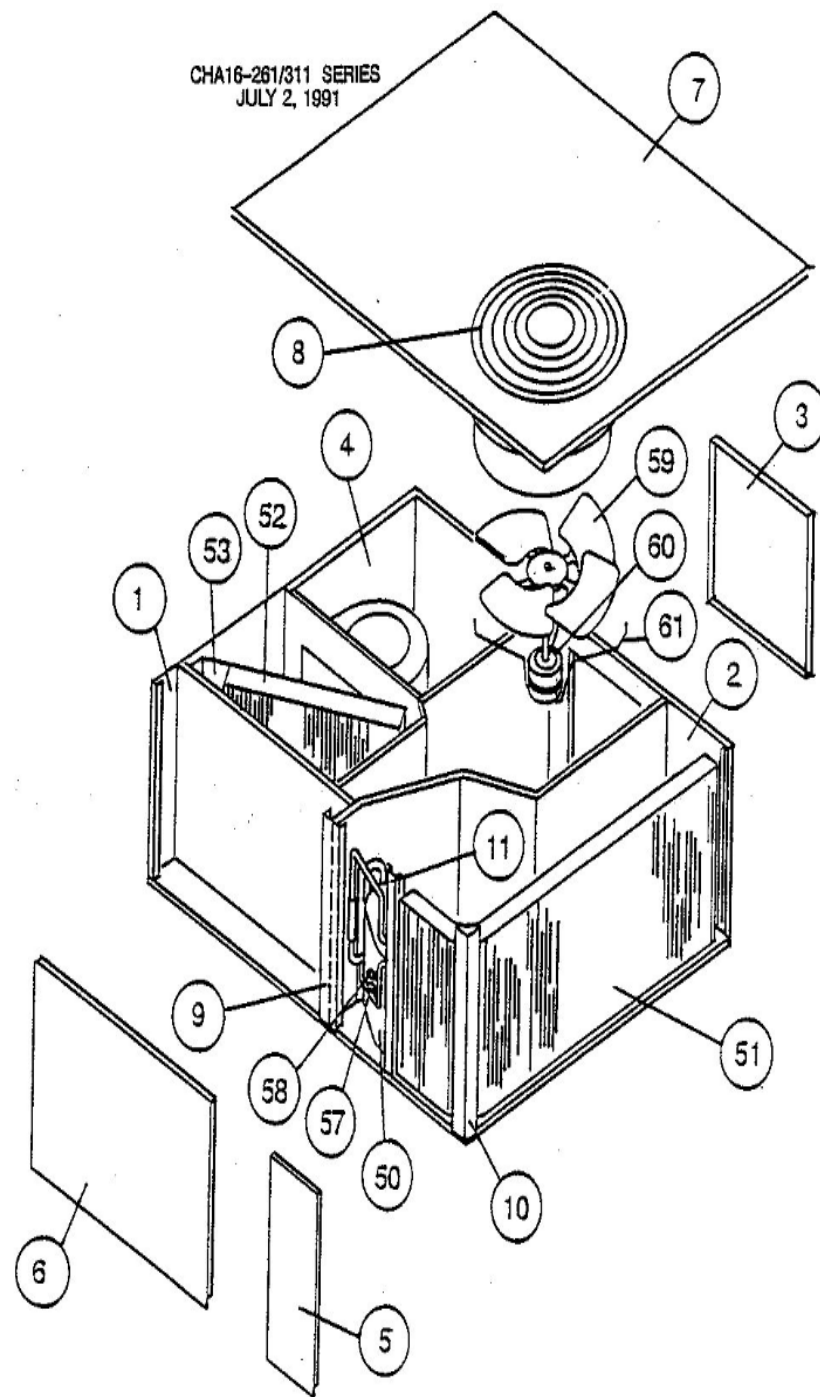


CHA16-261/651 SERIES-BLOWER PARTS
FEBRUARY 23, 1990

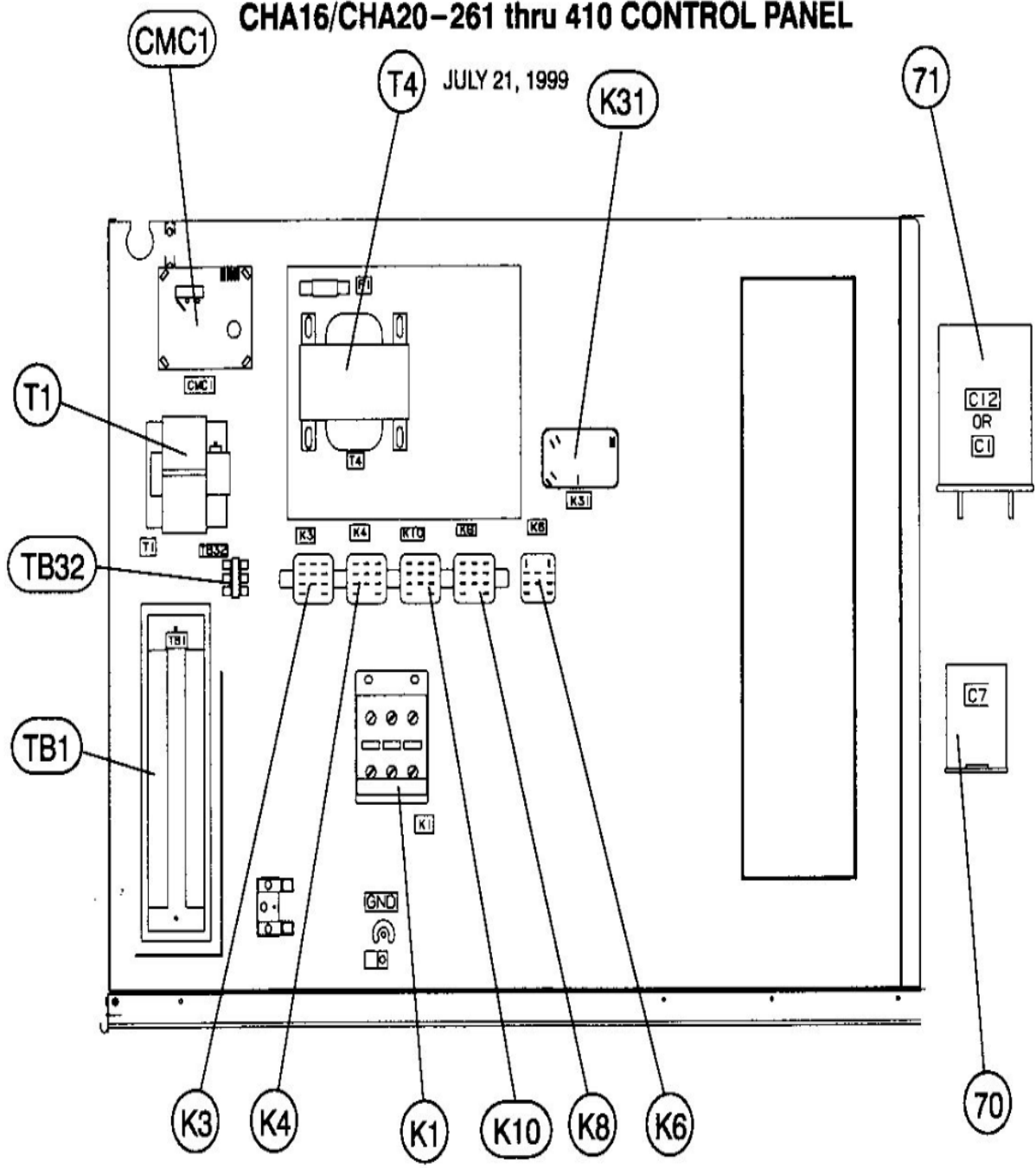


CHA16-261/311 SERIES
JULY 2, 1991



CHA16/CHA20-261 thru 410 CONTROL PANEL

JULY 21, 1999



Revision Number - 3

*OPTIONAL PARTS-FIELD INSTALLED

Callout	Name	Quantity	Description
	SWITCH Cat #: 27H67 Model/Part #: 27H6701	1	AIR FLOW
	SWITCH Cat #: 51H31 Model/Part #: 51H3101	1	DIRTY FILTER
	THERMOSTAT Cat #: 97H52 Model/Part #: 97H5201	1	ELEC-MODULE
	SENSOR Cat #: 97H54 Model/Part #: 97H5401	1	RETURN AIR
	PLATE Cat #: LB-63405DB Model/Part #: LB-63405DB	1	REMOTE SENSOR
	HARNESS-WIRING Cat #: 76H93 Model/Part #: LB-63547CA	1	WIRE HARNESS, P39, J39 SA
	PLUG Cat #: 57A25 Model/Part #: P-8-10686	1	PLUG-3 CIRCUIT
*****	SENSOR Cat #: 97H53 Model/Part #: 97H5301	1	(USED WITH NOVAR-ROOM AIR)
*****	RETURN AIR KIT Cat #: 10J37 Model/Part #: LB-63352DB	1	INC NEXT 3 PARTS
*****	NOVAR CONTROL KIT Cat #: 91H21 Model/Part #: LB-63353CB	1	INC NEXT 5 PARTS

BLOWER PARTS

Callout	Name	Quantity	Description
80	HOUSING-BLOWER Cat #: 40H52 Model/Part #: LB-78349CE	1	BLOWER HOUSING S.A.
82	WHEEL-BLOWER Cat #: 21709 Model/Part #: LB-29333BH	1	"1/2" BORE, 10-5/8" X 7-1/8"
83	MOTOR-BLOWER Cat #: 18H61 Model/Part #: 18H6101	1	"1/3HP, 1075RPM, 208- 230/60/1"

Callout	Name	Quantity	Description
84	PLATE-CUTOFF Cat #: 46H31 Model/Part #: LB-82078D	1	CUTOFF PLATE 10X7
85	CAPACITOR-FAN MTR Cat #: 53H02 Model/Part #: 81A3801	1	"5MFD,370VAC"

CABINET PARTS

Callout	Name	Quantity	Description
	SUPPORT-FILTER Cat #: 77H99 Model/Part #: LB-62277CA	1	LEFT
	SUPPORT-FILTER Cat #: 77H98 Model/Part #: LB-62280CA	1	RIGHT
	FILTER Cat #: 30335 Model/Part #: P-8-7822	1	"16" X 25" X 1"
1	PANEL Cat #: 46H22 Model/Part #: LB-81971DA	1	REAR ACCESS
2	PANEL Cat #: 34H98 Model/Part #: LB-61518CA	1	SUPPLY & RETURN
3	COVER Cat #: 46H28 Model/Part #: LB-61561DA	2	SUPPLY & RETURN
4	PANEL Cat #: 41H08 Model/Part #: LB-61560DA	1	BLOWER ACCESS
5	PANEL Cat #: 46H25 Model/Part #: LB-82201D	1	COMP ACCESS
6	PANEL Cat #: 46H23 Model/Part #: LB-81978DA	1	FRONT ACCESS
7	PANEL-TOP Cat #: 46H27 Model/Part #: LB-61517CB	1	PANEL-TOP SA
8	GRILLE-DISCHARGE Cat #: 63K59 Model/Part #: 63K5901	1	GRILLE-DISCHARGE
9	MULLION Cat #: 79H05 Model/Part #: LB-82615DA	1	FRONT
10	POST-CORNER	1	REAR

Callout	Name	Quantity	Description
	Cat #: 38H22 Model/Part #: LB-61497D		
11	MULLION Cat #: 46H26 Model/Part #: LB-82202D	1	COIL

CONTROL PANEL PARTS

Callout	Name	Quantity	Description
	FUSE Cat #: 71G35 Model/Part #: 71G3501	1	"N3 TYPE,3.5AMP,125V"
	HARNESS-WIRING Cat #: 76H93 Model/Part #: LB-63547CA	1	(NOVAR-LOCATED IN FILTER COMPARTMENT)
	PLUG Cat #: 57A25 Model/Part #: P-8-10686	1	RETURN AIR(NOVAR-LOCATED IN FILTER COMPA
71	CAPACITOR-FAN&RUN Cat #: 53H29 Model/Part #: 33G0701	1	"45+5MFD,370VAC"
A1	THERMOSTAT Cat #: 97H52 Model/Part #: 97H5201	1	ELEC-MODULE(NOVAR)
A2	SENSOR Cat #: 97H54 Model/Part #: 97H5401	1	RETURN AIR(NOVAR-LOCATED IN FILTER COMPA
K1	CONTACTOR Cat #: 65C69 Model/Part #: 65C6901	1	"SPST,24V"
K3	RELAY Cat #: 43H89 Model/Part #: 43H8901	1	"BLR RELAY,DPDT,24V"
RT1	SENSOR Cat #: 97H54 Model/Part #: 97H5401	1	DISCHARGE(NOVAR-LOCATED IN FILTER COMPAR
S27	SWITCH Cat #: 27H68 Model/Part #:	1	DIRTY FILTER(NOVAR-LOCATED IN FILTER COM

Callout	Name	Quantity	Description
	27H6801		
S52	SWITCH Cat #: 27H67 Model/Part #: 27H6701	1	AIR FLOW(NOVAR-LOCATED IN FILTER COMPART
T1	TRANSFORMER Cat #: 65G49 Model/Part #: 65G4901	1	"230VPRI,24VSEC,70VA,W/FUSE"
TB1	STRIP-TERMINAL Cat #: 78H58 Model/Part #: 78H5801	1	(LOGIC)

COOLING PARTS

Callout	Name	Quantity	Description
	RELAY-OVERLOADCOMP-INTERNAL Cat #: Model/Part #:	1	
	MOUNT PKG-COMP Cat #: 49A67 Model/Part #: 49A7001PR	1	49A7001PR COMP MT PK
	DRIER Cat #: 58A63 Model/Part #: 58A6301	1	SUCTION LINE
	BRACKET-MTR MTG Cat #: 63K66 Model/Part #: 63K6601	1	MOUNT-MOTOR BRKT ASSY
	DRIER Cat #: 69H06 Model/Part #: 69H0601	1	LIQUID LINE
	FITTING PRESS TAP Cat #: 86G64 Model/Part #: 86G6401	4	FITTING, PRESSURE TAP
	SEAL Cat #: 46H30 Model/Part #: LB-81985C	1	DRAIN PAN
	CAP TUBE ASSY Cat #: 30J10 Model/Part #: LB-82407DJ	1	CAP TUBE
	VALVE CORE Cat #: 66820 Model/Part #: P-8-1897	2	VALVE, CORE 8075910047
	CAP-SEAL Cat #: 58114 Model/Part #: P-8-3187	2	CAP, BRASS

Callout	Name	Quantity	Description
	SHIELD-RAIN Cat #: 32621 Model/Part #: P-8-6142	1	SHIELD, MOTOR
50	COMPRESSOR Cat #: 27J21 Model/Part #: 27J2101	1	"2-1/2TON,208-230/60/1,BRIS"
51	COIL-OUTDOOR Cat #: 68H17 Model/Part #: LB-62560CF	1	W/MANIFOLD
52	COIL-INDOOR Cat #: 30J12 Model/Part #: LB-62576CM	1	W/MANIFOLD
53	PAN-DRAIN Cat #: 46H29 Model/Part #: LB-61400CC	1	DRAIN PAN S.A.
58	SWITCH-LO PRESS Cat #: 85C23 Model/Part #: 85C2301	1	"IN 55+5PSIG,OUT 25+5PSIG"
59	FAN Cat #: 99C63 Model/Part #: 99C6301	1	"1/2""BORE,20""DIA,4 BLADE"
60	MOTOR-FAN Cat #: 27H45 Model/Part #: 27H4501	1	"1/6HP,1075RPM,208-230/60/1"
S4	SWITCH-HI PRESS Cat #: 86H31 Model/Part #: 86H3101	1	OUT 410PSIG

Note:

There are no technical notes for this product.