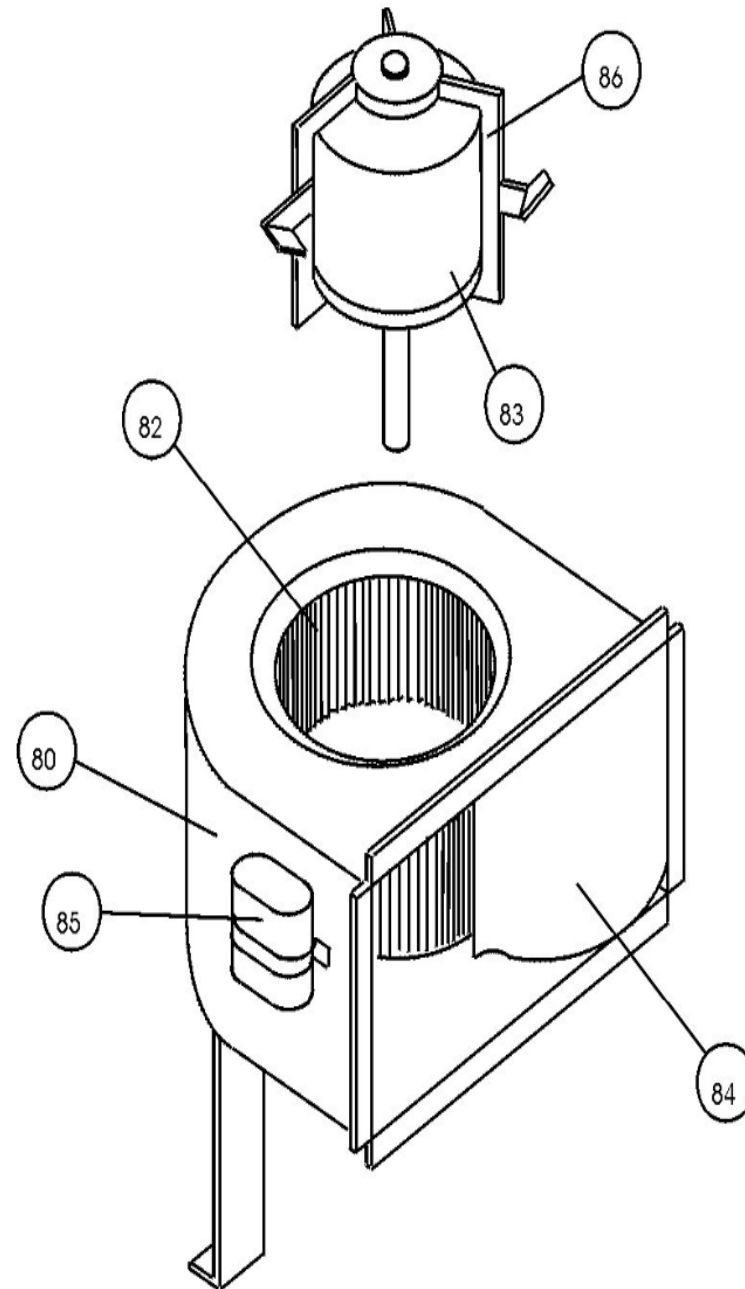


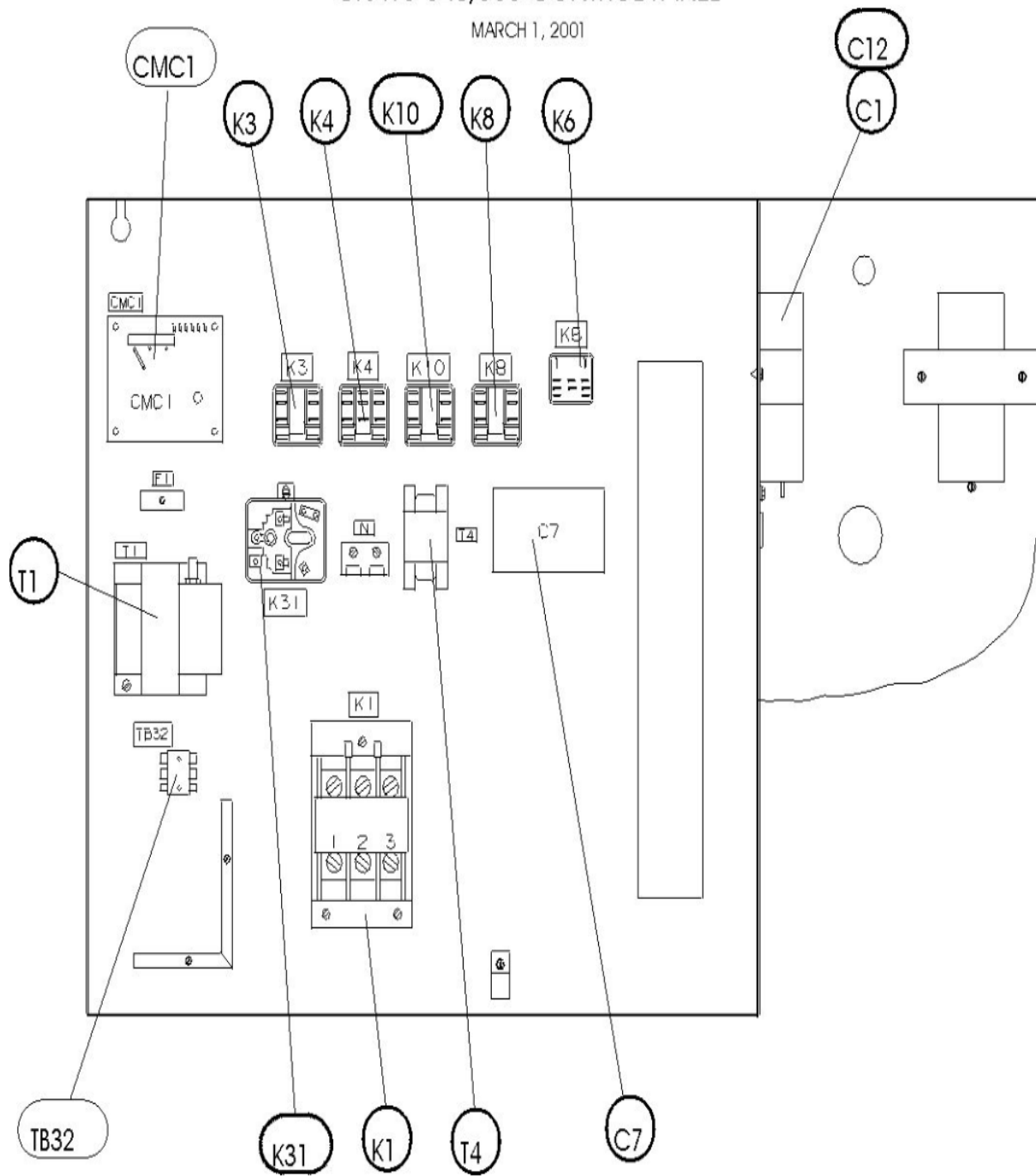
CHA16-024 THRU 060 SERIES
BLOWER PARTS

MARCH 1, 2001



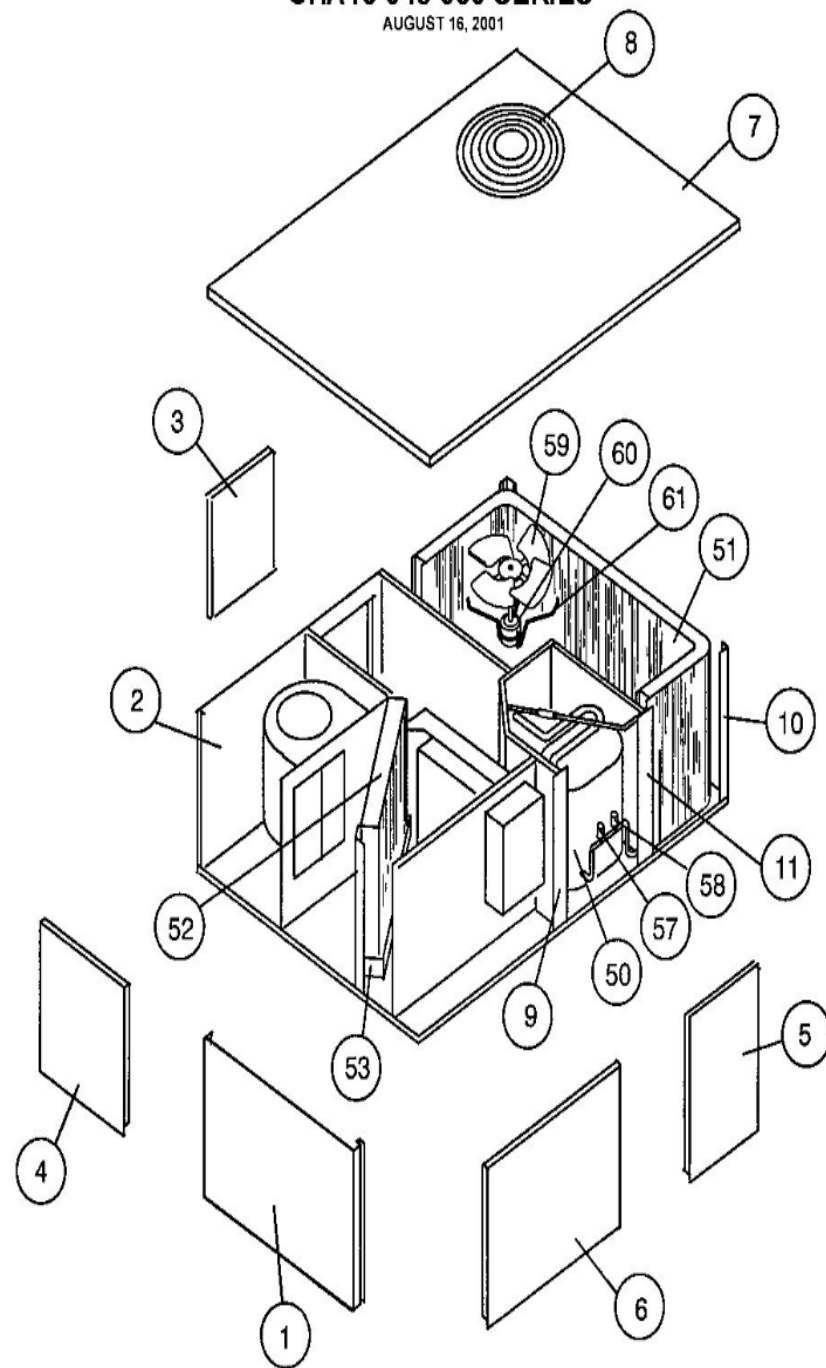
CHA16-048/060 CONTROL PANEL

MARCH 1, 2001



CHA16-048-060 SERIES

AUGUST 16, 2001



Revision Number - 2

BLOWER PARTS

Callout	Name	Quantity	Description
80	HOUSING-BLOWER Cat #: 40H50 Model/Part #: LB-78349CC	1	BLOWER HOUSING SA REP.PT.
82	WHEEL-BLOWER Cat #: 21708 Model/Part #: LB-29333BJ	1	"1/2"BORE,10-5/8" X 8"
83	MOTOR-BLOWER Cat #: 28G16 Model/Part #: 28G1601	1	"1/2HP,1075RPM,460/60/1 W/MOUNTS"
84	PLATE-CUTOFF Cat #: 46H39 Model/Part #: LB-61505D	1	CUTOFF PLATE

CABINET PARTS

Callout	Name	Quantity	Description
	NUT Cat #: 66A03 Model/Part #: 66A0301	4	NUT 3/8-16 RETAINING
	SUPPORT-FILTER Cat #: 79H01 Model/Part #: LB-62286CA	1	RIGHT
	SUPPORT-FILTER Cat #: LB94028A Model/Part #: LB94028A	1	LEFT
	FILTER Cat #: 59436 Model/Part #: P-8-7831	1	FILTER 20X25X1
1	PANEL Cat #: 46H32 Model/Part #: LB-81971DB	1	REAR
2	PANEL Cat #: 30H95 Model/Part #: LB-61521CA	1	SUPPLY & RETURN
3	COVER Cat #: 29H94 Model/Part #: LB-61561DB	2	SUPPLY & RETURN
4	PANEL Cat #: 34H80 Model/Part #: LB-61560DB	1	BLOWER ACCESS
5	PANEL Cat #: 56H95 Model/Part #: LB-82217D	1	COMP ACCESS

Callout	Name	Quantity	Description
6	PANEL Cat #: 46H34 Model/Part #: LB-81978DB	1	FRONT ACCESS
7	PANEL-TOP Cat #: 46H35 Model/Part #: LB-62035CC	1	PANEL TOP CHA16-653
8	GRILLE-DISCHARGE Cat #: 63K60 Model/Part #: 63K6001	1	GRILLE-DISCHARGE
9	MULLION Cat #: 46H36 Model/Part #: LB-82111C	1	CENTER FRONT
10	POST-CORNER Cat #: 34H79 Model/Part #: LB-61555D	2	POST CORNER (6 pcs blk)
11	MULLION Cat #: 79H03 Model/Part #: LB-83209A	1	COIL(CHA16)

CONTROL PANEL PARTS

Callout	Name	Quantity	Description
	HARNESS-WIRING Cat #: 28M37 Model/Part #: LB-100220A	1	MAIN CTL(460V)
	HARNESS-WIRING Cat #: LB-100221A Model/Part #: LB-100221A	1	MAIN CTL(575V)
	HARNESS-WIRING Cat #: LB-98488 Model/Part #: LB-98488	1	POWER(3PH)
C1	CAPACITOR Cat #: 81A40 Model/Part #: 81A4001	1	"10MFD,370VAC(3PH)"
K1	CONTACTOR Cat #: 38393 Model/Part #: P-8-7736	1	"3PDT,24V(3PH)"
K3	RELAY Cat #: 45H03 Model/Part #: 45H0301	1	"BLR RELAY,DPDT,24V(460V-575V)"
T1	TRANSFORMER Cat #: 51H79 Model/Part #: 51H7901	1	"480V PRI,24V SEC,70VA,L/FUSE"
T1	TRANSFORMER Cat #: 66J54 Model/Part #: 66J5401	1	"600V PRI,24V SEC,70VA,L/FUSE"

Callout	Name	Quantity	Description
T1	FUSE Cat #: 71G35 Model/Part #: 71G3501	1	"N3 TYPE,3.5AMP,125V"
T4	TRANSFORMER Cat #: 13H79 Model/Part #: 13H7901	1	"575V PRI,460V SEC,3.4VA, L/FUSE"
TB32	TERMINAL-STRIP Cat #: 36F51 Model/Part #: 36F5101	1	STRIP, TERMINAL TAB- DISCONNECT

COOLING PARTS

Callout	Name	Quantity	Description
	RELAY-OVERLOADCOMP-INTERNAL Cat #: Model/Part #:	1	
	VALVE-EXPANSION Cat #: 60L37 Model/Part #: 60L3701	1	VALVE, EXPANSION
	FITTING-PROCESS Cat #: 60L7507 Model/Part #: 60L7507	2	FITTING-PROCESS
	VALVE-CORE Cat #: 60L76 Model/Part #: 60L7601	2	FITTING, PROCESS VALVE CORE
	CAP SEAL Cat #: 60L77 Model/Part #: 60L7701	2	FITTING, PROCESS VALVE CAP
	MOUNT PKG-COMP Cat #: 74J30 Model/Part #: 74J3001PR	1	MOUNT PKG-COMP
	FITTING PRESS TAP Cat #: 86G64 Model/Part #: 86G6401	4	FITTING, PRESSURE TAP
	SEAL Cat #: 46H38 Model/Part #: LB-82136C	1	DRAIN PAN
	DISTRIBUTOR ASSY Cat #: 41H94 Model/Part #: LB-82515CD	1	DIST S.A.
	HARNESS-WIRING Cat #: 39M12 Model/Part #: LB-99231F	1	COMP-ALL 3PH (MOLDED PLUGO
	VALVE CORE Cat #: 66820 Model/Part #: P-8-1897	4	VALVE, CORE 8075910047
	CAP-SEAL	3	CAP, BRASS

Callout	Name	Quantity	Description
	Cat #: 58114 Model/Part #: P-8-3187		
	SHIELD-RAIN Cat #: 32621 Model/Part #: P-8-6142	1	SHIELD, MOTOR
	STRAINER Cat #: 66507 Model/Part #: P-8-707	1	STRAINER
50	COMPRESSOR Cat #: 15M83 Model/Part #: 15M8301	1	"4TON,460/60/3,380-420/50/3,COPE (MOLDED
50	COMPRESSOR Cat #: 25M79 Model/Part #: 25M7901	1	"4TON,575/60/3,COPE (MOLDED PLUG)"
50	COMPRESSOR Cat #: 80K32 Model/Part #: 80K3201	1	"4TON,460/60/3, 380-420/50/3,COPE"
50	COMPRESSOR Cat #: 80K33 Model/Part #: 80K3301	1	"4TON,575/60/3,COPE"
51	COIL-OUTDOOR Cat #: 90L34 Model/Part #: LB-62567CJ	1	W/MANIFOLD
52	COIL-INDOOR Cat #: 90L39 Model/Part #: LB-82498CG	1	W/MANIFOLD
53	PAN-DRAIN Cat #: 94H16 Model/Part #: LB-61400CD	1	DRAIN PAN S.A.
59	FAN Cat #: 45C51 Model/Part #: 45C5101	1	"1/2""BORE,24""DIA,4 BLADE"
60	MOTOR-FAN Cat #: 67C02 Model/Part #: 67C0201	1	"1/4HP,825RPM,460/60/1"
61	MOUNT-MOTOR Cat #: 63K62 Model/Part #: 63K6201	1	MOUNT-MOTOR BRKT ASSY
S4	SWITCH-HI PRESS Cat #: 79J06 Model/Part #: 79J0601	1	OUT 419PSIG
S49	SWITCH-TEMP FREEZESTAT Cat #: 79J11 Model/Part #: 79J1101	1	"FREEZESTAT- OPEN29F,CLOSE 50F"

Note:

There are no technical notes for this product.