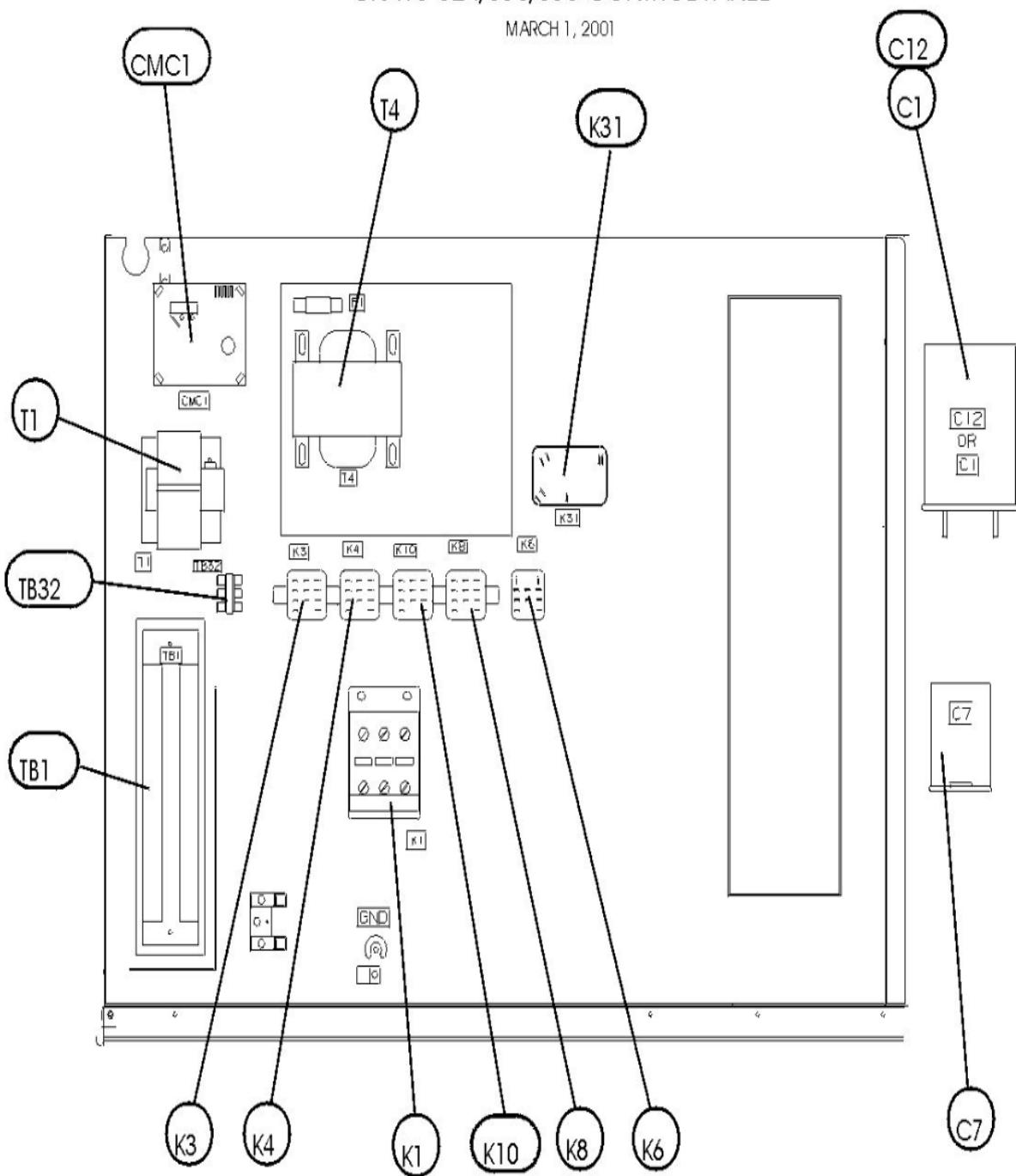
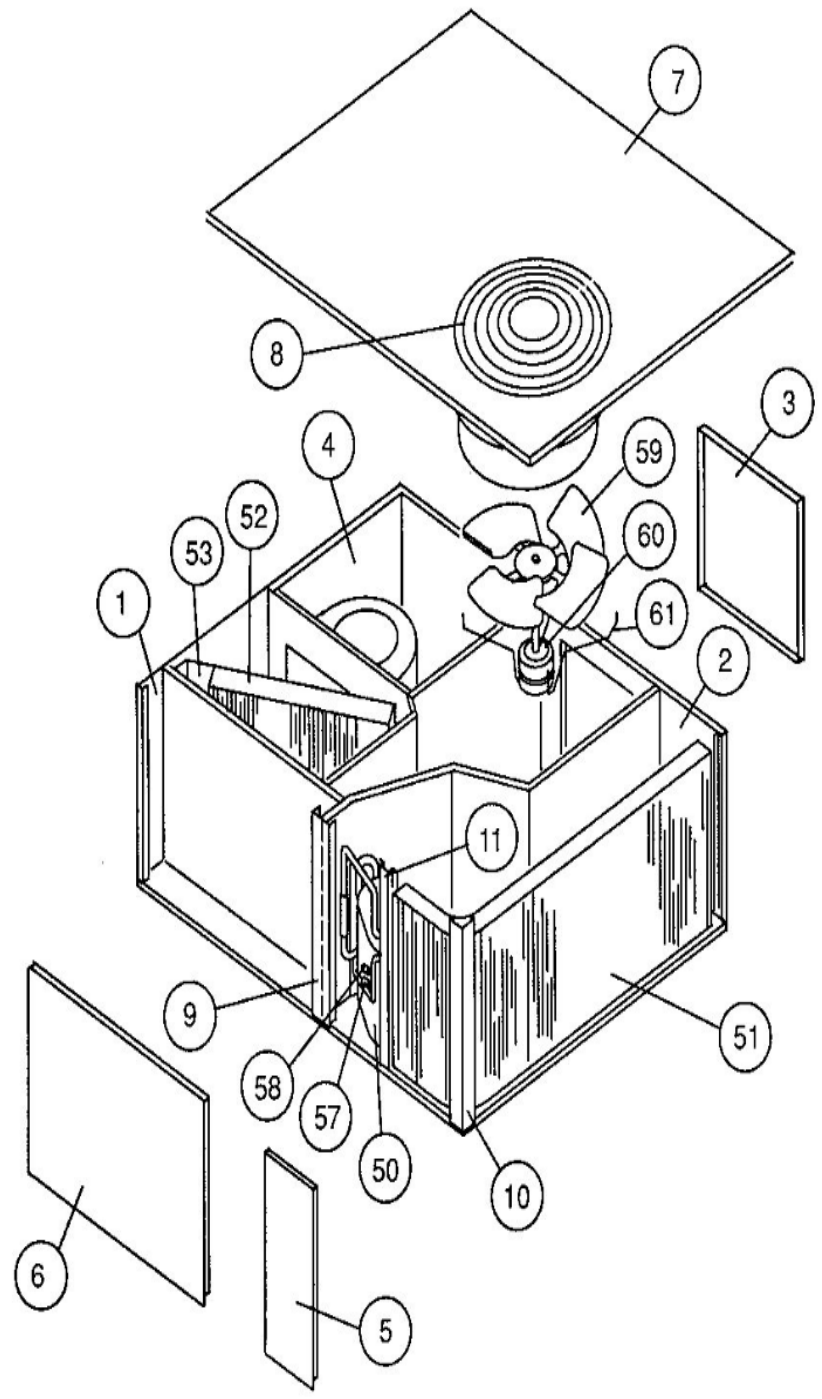


CHA16-024/030/036 CONTROL PANEL

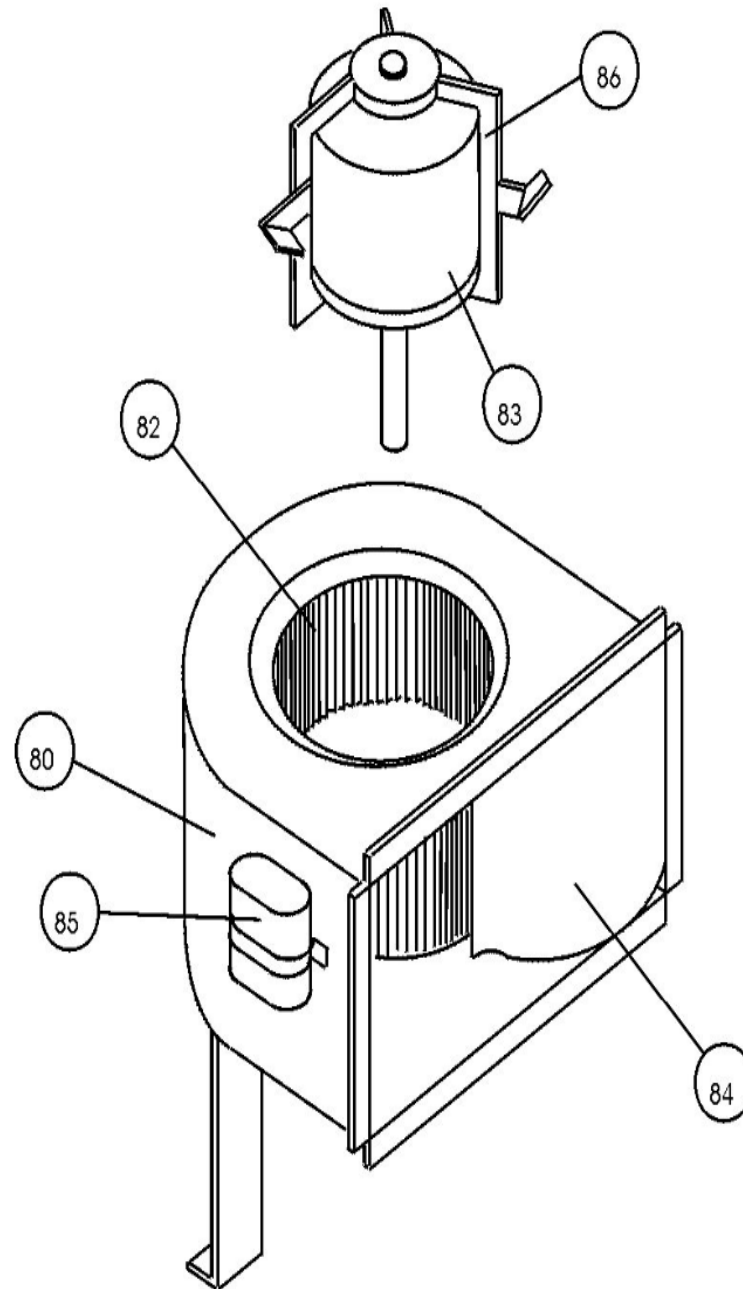
MARCH 1, 2001





CHA16-024 THRU 060 SERIES
BLOWER PARTS

MARCH 1, 2001



Revision Number - 1

BLOWER PARTS

Callout	Name	Quantity	Description
	BAND-MOTOR Cat #: 62A57 Model/Part #: 62A5701	1	(INTL ONLY-NO PAINT)
80	HOUSING-BLOWER Cat #: 40H52 Model/Part #: LB-78349CE	1	BLOWER HOUSING S.A.
80	HOUSING-BLOWER Cat #: 40H53 Model/Part #: LB-78349CF	1	(INTL ONLY)
82	WHEEL-BLOWER Cat #: 21709 Model/Part #: LB-29333BH	1	"1/2" BORE, 10-5/8" X 8"
83	MOTOR-BLOWER Cat #: 15B45 Model/Part #: 15B4501	1	"1/2HP, 1350RPM, 220-240/50/1 (INTL ONLY)"
83	MOTOR-BLOWER Cat #: 18H61 Model/Part #: 18H6101	1	"1/3HP, 1075RPM, 208-230/60/1 W/MOUNTS"
83	MOTOR-BLOWER Cat #: 28G16 Model/Part #: 28G1601	1	"1/2HP, 1075RPM, 460-575/60/1 W/MOUNTS"
84	PLATE-CUTOFF Cat #: 46H31 Model/Part #: LB-82078D	1	CUTOFF PLATE 10X7
85	CAPACITOR-FAN MTR Cat #: 53H02 Model/Part #: 81A3801	1	"5MFD, 370VAC(208-230V)"
85	CAPACITOR Cat #: 81A39 Model/Part #: 81A3901	1	"7MFD, 370VAC(INTL)"
85	CAPACITOR Cat #: 81A40 Model/Part #: 81A4001	1	"10MFD, 370VA(460 & 575V)"
86	ARM-MOTOR MTG Cat #: 98G22 Model/Part #: 98G2201	3	(INTL ONLY-NO PAINT)

CABINET PARTS

Callout	Name	Quantity	Description
	NUT Cat #: 66A03 Model/Part #: 66A0301	4	GRILLE
	SUPPORT-FILTER Cat #: 77H99 Model/Part #: LB-62277CA	1	LEFT
	SUPPORT-FILTER Cat #: 77H98 Model/Part #: LB-62280CA	1	RIGHT
	FILTER Cat #: 30335 Model/Part #: P-8-7822	1	"16"" X 25"" X 1""
1	PANEL Cat #: 46H22 Model/Part #: LB-81971DA	1	REAR
2	PANEL Cat #: 34H98 Model/Part #: LB-61518CA	1	SUPPLY & RETURN
3	COVER Cat #: 46H28 Model/Part #: LB-61561DA	2	SUPPLY & RETURN
4	PANEL Cat #: 41H08 Model/Part #: LB-61560DA	1	BLOWER ACCESS
5	PANEL Cat #: 99L79 Model/Part #: LB-96235	1	COMP ACCESS
6	PANEL Cat #: 46H23 Model/Part #: LB-81978DA	1	FRONT ACCESS
7	PANEL-TOP Cat #: 19M21 Model/Part #: LB-61517CE	1	TOP PANEL SA
8	GRILLE-DISCHARGE Cat #: 63K59 Model/Part #: 63K5901	1	GRILLE-DISCHARGE
9	MULLION Cat #: 79H05 Model/Part #: LB-82615DA	1	CENTER FRONT
10	POST-CORNER Cat #: 38H22 Model/Part #: LB-61497D	1	POST CORNER (5 pcs blk)
11	MULLION Cat #: 46H26 Model/Part #: LB-82202D	1	COIL

CONTROL PANEL PARTS

Callout	Name	Quantity	Description
	FUSE Cat #: 71G35 Model/Part #: 71G3501	1	"N3 TYPE,3.5AMP,125V (FOOTNOTE 1)"
	BLOCK-TERMINAL Cat #: 80K65 Model/Part #: 80K6501	1	(INTL)
	HARNESS-WIRING Cat #: LB-95158 Model/Part #: LB-95158	1	CONTROL(ALL VLTG)
	HARNESS-WIRING Cat #: LB-95163 Model/Part #: LB-95163	1	POWER(575V)
	HARNESS-WIRING Cat #: LB-95178 Model/Part #: LB-95178	1	POWER(460V)
	HARNESS-WIRING Cat #: LB-96162 Model/Part #: LB-96162	1	POWER(208-230V-3PH)
	HARNESS-WIRING Cat #: LB-96229 Model/Part #: LB-96229	1	POWER(208-230V-1PH)
	HARNESS-WIRING Cat #: LB-96244 Model/Part #: LB-96244	1	GROUND(INTL)
	HARNESS-WIRING Cat #: LB-96246 Model/Part #: LB-96246	1	POWER(INTL)
C1	TRANSFORMER Cat #: 13H28 Model/Part #: 13H2801	1	"208/240V PRI,24V SEC,70VA, L/FUSE"
C1	CAPACITOR-FAN MTR Cat #: 53H02 Model/Part #: 81A3801	1	"5MFD,370VAC(208-230V)"
C1	CAPACITOR Cat #: 81A39 Model/Part #: 81A3901	1	"7MFD,370VAC(INTL)"

Callout	Name	Quantity	Description
C12	CAPACITOR-FAN&RUN Cat #: 46F45 Model/Part #: 46F4501	1	"40+5MFD,370VAC(208/230V,1PH)"
K1	CONTACTOR Cat #: 65C69 Model/Part #: 65C6901	1	"SPST,24V(1PH)"
K1	CONTACTOR Cat #: 38393 Model/Part #: P-8-7736	1	"3PDT,24V(3PH)"
K3	RELAY Cat #: 67K65 Model/Part #: 67K6501	1	"BLR RELAY,DPDT,24V(208-230V)"
K3	RELAY Cat #: 67K66 Model/Part #: 67K6601	1	"BLR RELAY,3PDT,24V(460V-575V & INTL)"
T1	TRANSFORMER Cat #: 51H79 Model/Part #: 51H7901	1	"480V PRI,24V SEC,70VA,L/FUSE"
T1	TRANSFORMER Cat #: 66J54 Model/Part #: 66J5401	1	"600V PRI,24V SEC,70VA,L/FUSE"
T4	TRANSFORMER Cat #: 13H79 Model/Part #: 13H7901	1	"AUTO-575V PRI,460V SEC,3.4VA L/FUSE(575"
TB32	TERMINAL-STRIP Cat #: 36F51 Model/Part #: 36F5101	1	STRIP, TERMINAL TAB-DISCONNECT

COOLING PARTS

Callout	Name	Quantity	Description
	RELAY-OVERLOADCOMP-INTERNAL Cat #: Model/Part #:	1	
	HARNESS-WIRING Cat #: 29M82 Model/Part #: 29M8201	1	HARNESS (MOLDED PLUG)

Callout	Name	Quantity	Description
	VALVE-EXPANSION Cat #: 60L36 Model/Part #: 60L3601	1	VALVE, EXPANSION
	FITTING-PRESS TAP Cat #: 60L75 Model/Part #: 60L7501	2	FITTING, PROCESS VALVE HOUSING
	VALVE-CORE Cat #: 60L76 Model/Part #: 60L7601	2	FITTING, PROCESS VALVE CORE
	CAP SEAL Cat #: 60L77 Model/Part #: 60L7701	2	FITTING, PROCESS VALVE CAP
	MOUNT PKG-COMP Cat #: 74J30 Model/Part #: 74J3001PR	1	MOUNT PKG-COMP
	FITTING PRESS TAP Cat #: 86G64 Model/Part #: 86G6401	4	FITTING, PRESSURE TAP
	SEAL Cat #: 46H30 Model/Part #: LB-81985C	1	DRAIN PAN
	DISTRIBUTOR ASSY Cat #: 41H93 Model/Part #: LB-82515CC	1	W/TUBES
	HARNESS-WIRING Cat #: LB-99052 Model/Part #: LB-99052	1	FAN MOTOR(208/230V)
	HARNESS-WIRING Cat #: 39M12 Model/Part #: LB-99231F	1	COMP-ALL 3PH(MOLDED PLUG)
	VALVE CORE Cat #: 66820 Model/Part #: P-8-1897	4	VALVE, CORE 8075910047
	CAP-SEAL Cat #: 58114 Model/Part #: P-8-3187	3	CAP, BRASS

Callout	Name	Quantity	Description
	SHIELD-RAIN Cat #: 32621 Model/Part #: P-8-6142	1	SHIELD, MOTOR
	STRAINER Cat #: 66507 Model/Part #: P-8-707	1	STRAINER
50	COMPRESSOR ZR32K5-PFV Cat #: 90W69 Model/Part #: 103349-04	1	"3TON,208-230/60/1,COPE
50	COMPRESSOR Cat #: 15M70 Model/Part #: 15M7001	1	"3TON,460/60/3&380/420/50/3,COPE
50	COMPRESSOR Cat #: 21L71 Model/Part #: 21L7101	1	"3TON,575/60/3,COPE"
50	COMPRESSOR Cat #: 29M26 Model/Part #: 29M2601	1	"3TON,208-230/60/3,COPE
50	COMPRESSOR Cat #: 80K20 Model/Part #: 80K2001	1	"3TON,208-230/60/1,COPE"
50	COMPRESSOR Cat #: 99K08 Model/Part #: 99K0801	1	"3TON,460/60/3&380/420/50/3,COPE"
50	COMPRESSOR Cat #: 99K09 Model/Part #: 99K0901	1	"3TON,208-230/60/3,COPE"
51	COIL-OUTDOOR Cat #: 68H17 Model/Part #: LB-62560CF	1	W/MANIFOLD
52	COIL-INDOOR Cat #: 90L19 Model/Part #: LB-82503CH	1	W/MANIFOLD
53	PAN-DRAIN Cat #: 94H16 Model/Part #: LB-61400CD	1	DRAIN PAN S.A.

Callout	Name	Quantity	Description
59	FAN Cat #: 99C63 Model/Part #: 99C6301	1	"1/2""BORE,20""DIA,4 BLADE"
60	MOTOR-FAN Cat #: 27H45 Model/Part #: 27H4501	1	"1/6HP,1075RPM,208-230/60/1"
60	MOTOR-FAN Cat #: 50F11 Model/Part #: 50F1101	1	"1/5HP,900RPM,220-240/50/1"
60	MOTOR-FAN Cat #: 87268 Model/Part #: P-8-11026	1	"1/4HP,1075RPM,460/60/1"
61	BRACKET-MTR MTG Cat #: 63K66 Model/Part #: 63K6601	1	MOUNT-MOTOR BRKT ASSY
S4	SWITCH-HI PRESS Cat #: 79J06 Model/Part #: 79J0601	1	OUT 410PSIG
S49	SWITCH-TEMP FREEZESTAT Cat #: 79J11 Model/Part #: 79J1101	1	"FREEZESTAT-OPEN 29F,CLOSE 50F"

Note:

There are no technical notes for this product.