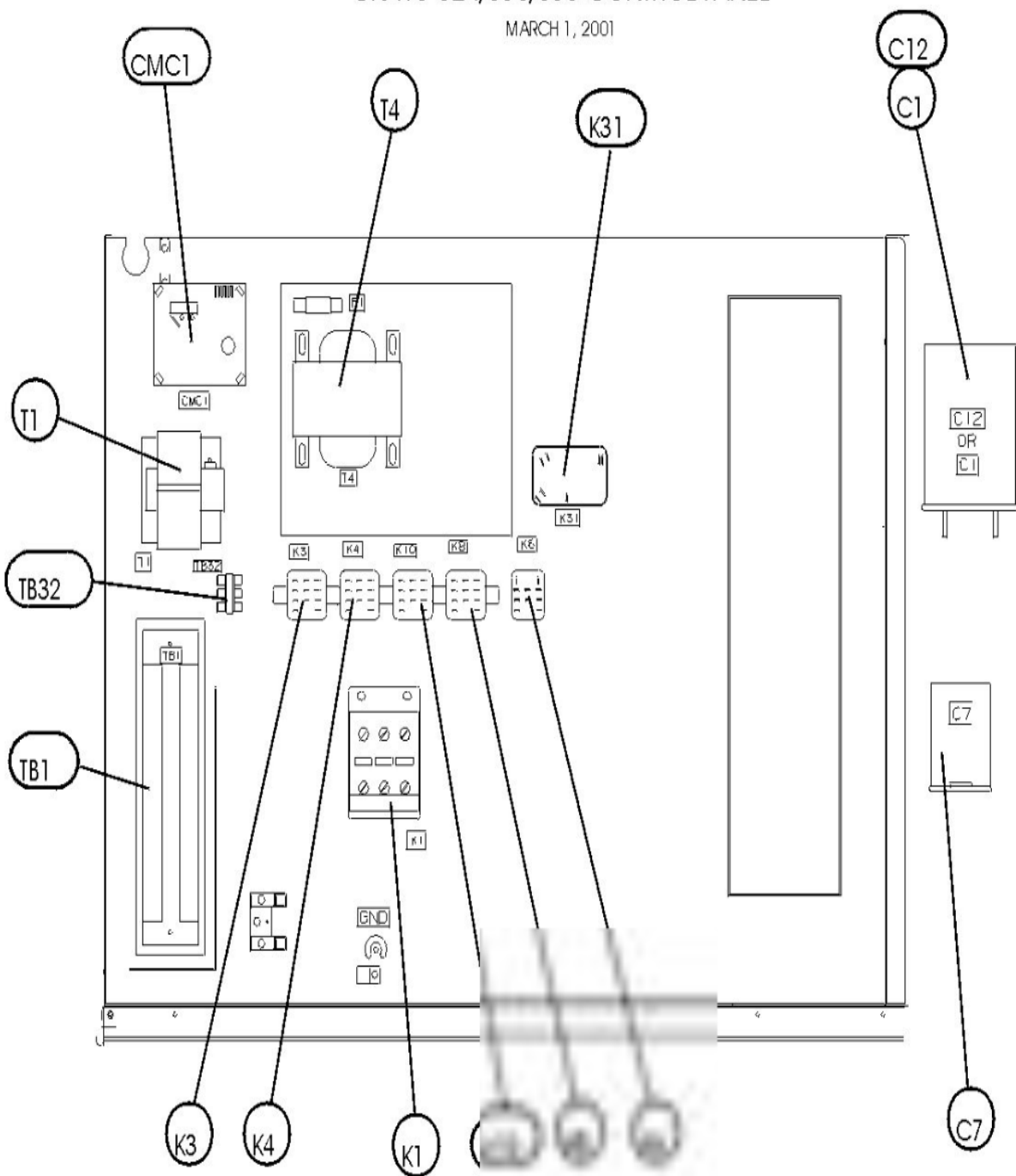
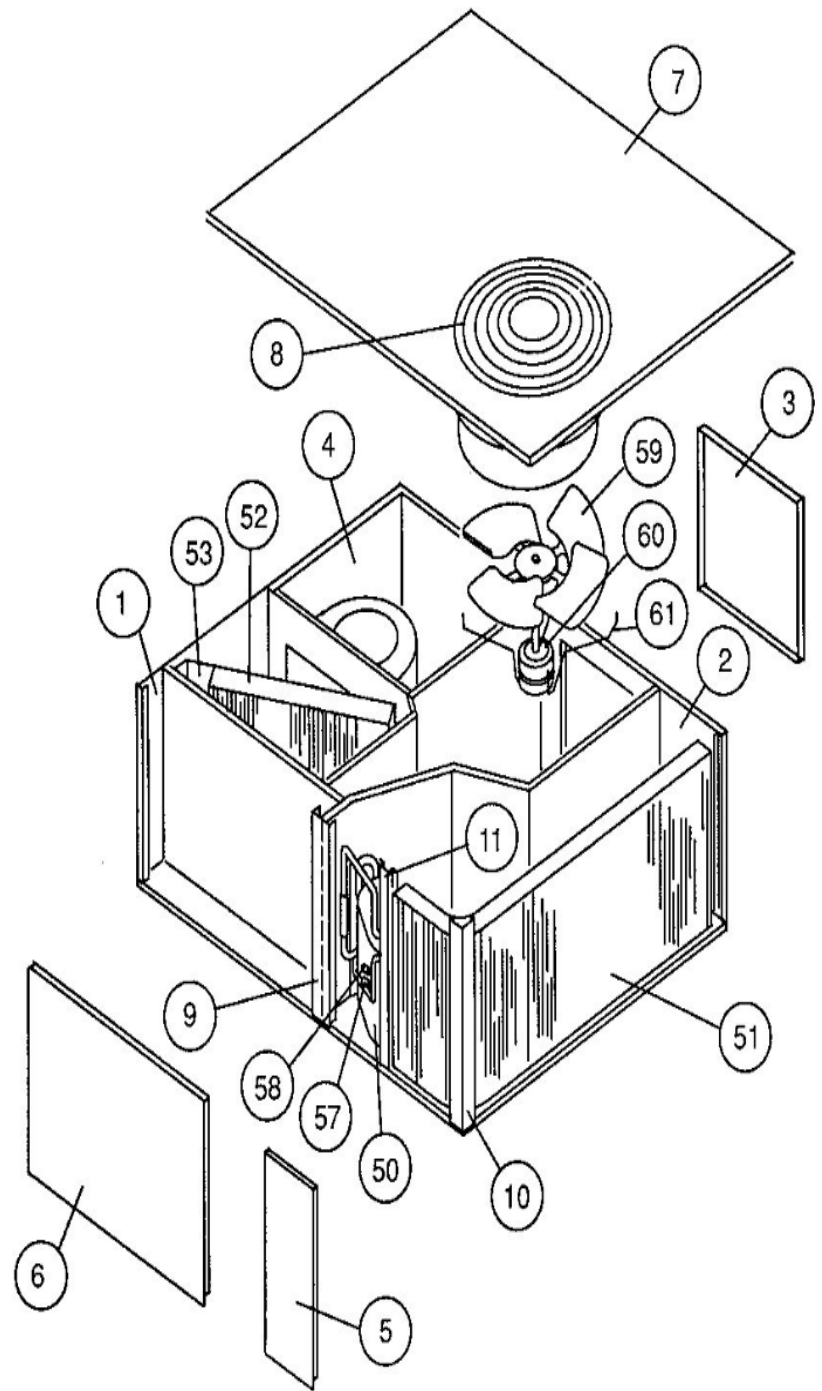


CHA16-024/030/036 CONTROL PANEL

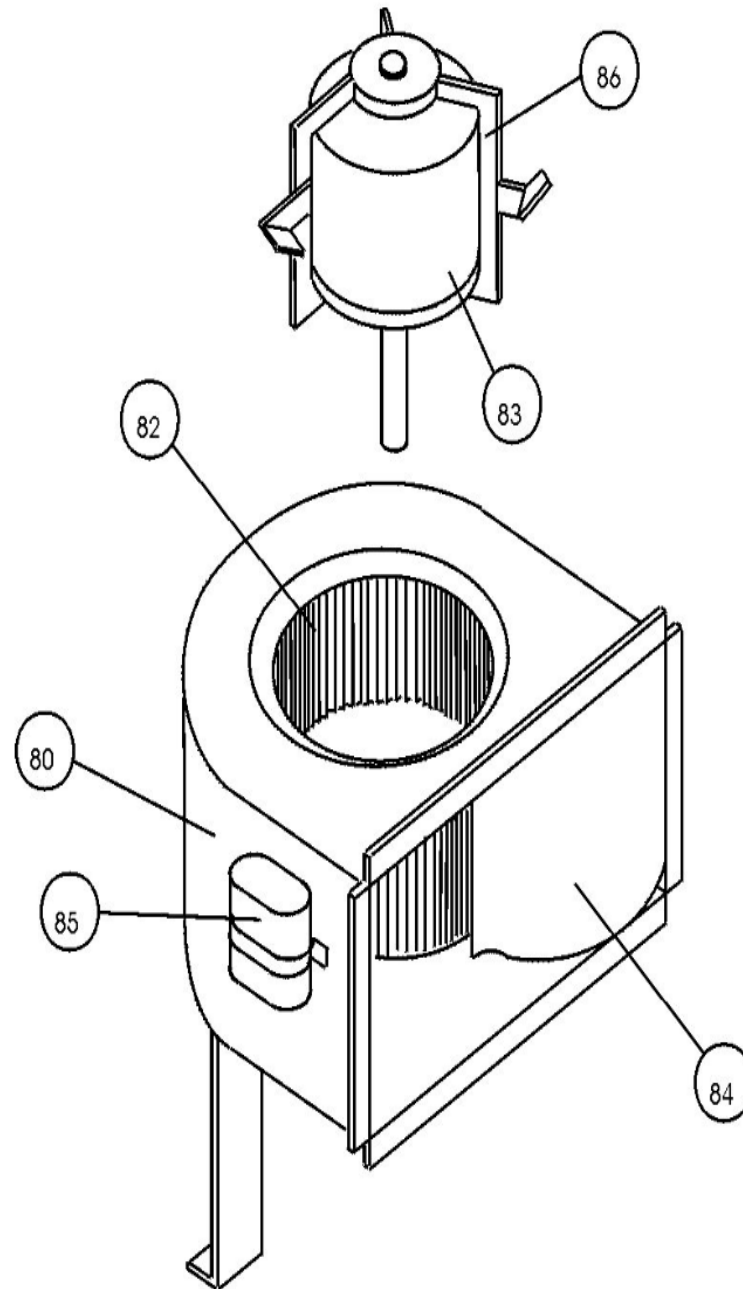
MARCH 1, 2001





CHA16-024 THRU 060 SERIES
BLOWER PARTS

MARCH 1, 2001



Callout	Name	Quantity	Description
	SWITCH-HI PRESS Cat #: 86H31 Model/Part #: 86H3101	1	OUT 410+10PSIG(OPT)
	WELL-THERMOMETER Cat #: 10J33 Model/Part #: LB-83856A	1	THERMOMETER WELL ASSY.
	SWITCH-LO PRESS Cat #: 87265 Model/Part #: P-8-10978	1	"IN 55+5PSIG,OUT 25+5PSIG (OPT)"
	VALVE CORE Cat #: 66820 Model/Part #: P-8-1897	1	(OPT)
10	COIL-OUTDOOR Cat #: 16K38 Model/Part #: LB-87170AC	1	W/MANIFOLD
12	COMPRESSOR Cat #: 68J65 Model/Part #: 68J6501	1	"4TON,208- 230/60/1,TEC"
13	VALVE-SERVICE Cat #: 68J10 Model/Part #: 68J1001	1	"LIQUID LINE,3/8""
14	VALVE-SERVICE Cat #: 68J13 Model/Part #: 68J1301	1	"SUCTION LINE,7/8""
15	FAN Cat #: 68J28 Model/Part #: 68J2801	1	"1/2""BORE,18""DIA,4 BLADE"
18	MOTOR-FAN Cat #: 68J24 Model/Part #: 68J2401	1	"1/3HP,1075RPM,208- 230/60/1"

Note:

URGENT: HS29/10ACB Discharge Line Created by: C-95-3 Date: 17-Aug-95 Note1: SEE FIELD REPLACEMENT CRANKCASE HEATER CHART ON CRL CARD.