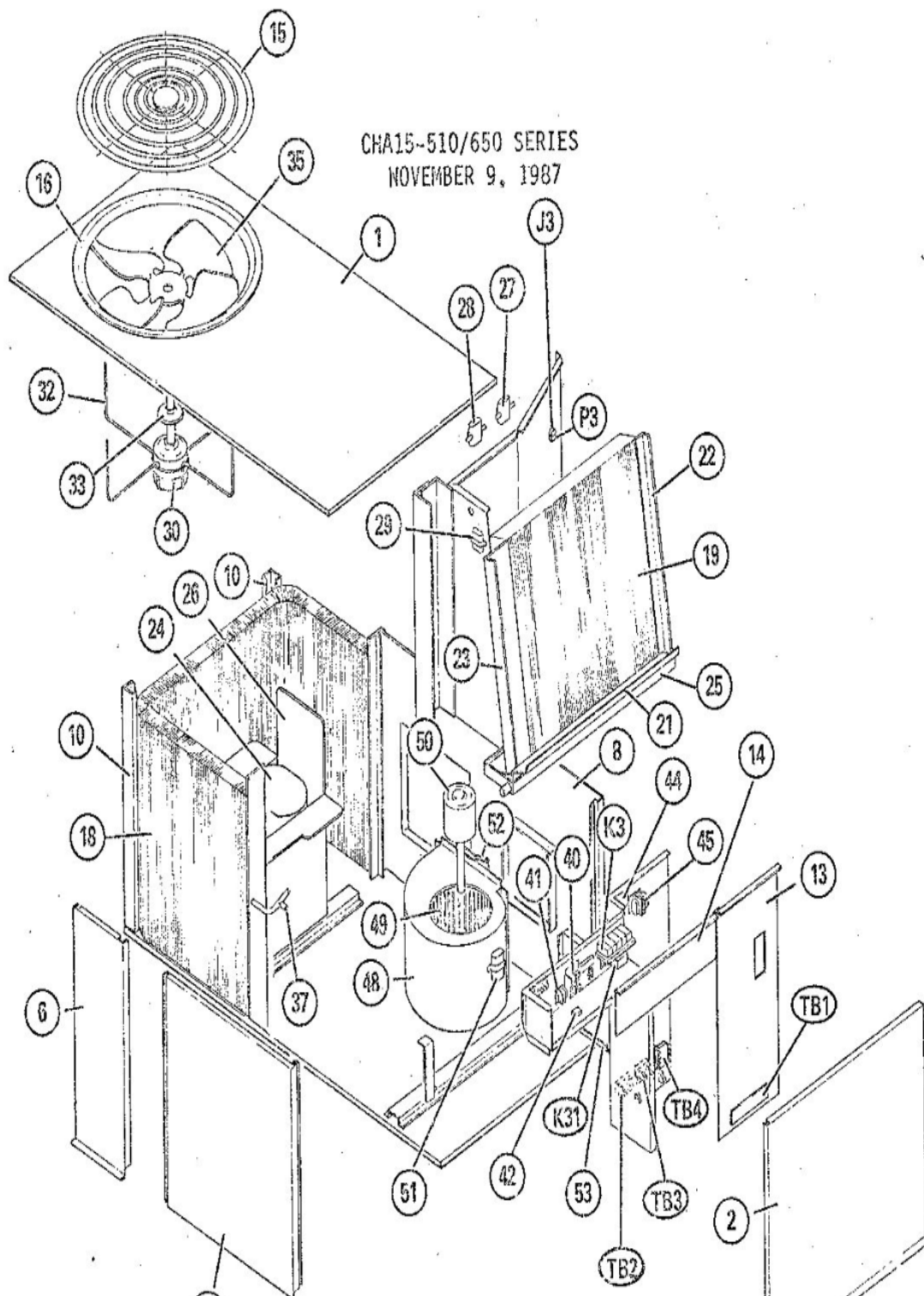


CHA15-510/650 SERIES  
NOVEMBER 9, 1987



Revision Number - 3

## \*OPTIONAL PARTS-FIELD INSTALLED

Callout	Name	Quantity	Description
	RELAY Cat #: 24C41 Model/Part #: 24C4101	1	24V
	RELAY Cat #: 36G37 Model/Part #: 43G0601	1	"4PDT,24V"
	RELAY Cat #: 43G49 Model/Part #: 43G4901	3	"DPDT,24V"
	RELAY Cat #: 43G49 Model/Part #: 54G4501	1	"DPDT,24V"
	RELAY Cat #: 87F8401 Model/Part #: 87F8401	1	"4PDT,24V"
	TEE Cat #: 87071 Model/Part #: P-8-10569	1	SCHRADER DEPRESSOR
	NUT Cat #: 59498 Model/Part #: P-8-1218	2	FLARE
	CAP-SEAL Cat #: 58114 Model/Part #: P-8-3187	1	CAP, BRASS
	FITTING Cat #: 59784 Model/Part #: P-8-4934	1	STRAIN RELIEF
	SWITCH-LO PRESS Cat #: 68493 Model/Part #: P-8-6383	1	"IN 285PSIG,OUT 140PSIG"

## BLOWER PARTS

Callout	Name	Quantity	Description
	MOUNT-MOTOR Cat #: 58M18 Model/Part #: LB-47831D	3	MOUNT-MOTOR
48	HOUSING-BLOWER Cat #: 46G29 Model/Part #: LB-51184CD	1	BLOWER SA
49	WHEEL-BLOWER Cat #: 10G44 Model/Part #: 82F7601	1	"1/2""BORE,11-1/2"" X 9""

Callout	Name	Quantity	Description
50	MOTOR-BLOWER Cat #: 14B91 Model/Part #: 14B9101	1	"3/4HP,1075RPM,208-230/60/1"
51	CAPACITOR-FAN MTR Cat #: 96C44 Model/Part #: 96C4401	1	"20MFD,370VAC"
52	PLATE-CUTOFF Cat #: 46G30 Model/Part #: LB-15558D	1	PLATE-CUT OFF (12 x 9)
53	ADAPTER Cat #: 25J00 Model/Part #: LB-56354B	1	BLOWER

## CABINET PARTS

Callout	Name	Quantity	Description
	FILTER-AIR"16"" X 20"" X 1"",DISPOSABLE Cat #: Model/Part #:	2	
	PANEL Cat #: 81G23 Model/Part #: 81G2301	1	FILTER ACCESS(FS15-65-2)
	PANEL Cat #: 20J72 Model/Part #: LB-53794CB	1	FILTER-ACCESS (FOR FS15-65 ACCESSORY)
1	PANEL-TOP Cat #: 64G83 Model/Part #: LB-56347CA	1	PANEL-TOP
2	PANEL Cat #: 75G84 Model/Part #: LB-56343CA	1	BLOWER SECTION-END
3	PANEL Cat #: 64G47 Model/Part #: LB-56330CA	1	BLOWER SECTION-FRONT
6	PANEL Cat #: 76G10 Model/Part #: LB-56332C	1	"ACCESS(EARLY PROD- 10-7/8"" X 33-7/8""")
6	PANEL Cat #: 84G93 Model/Part #: LB-59170B	1	"ACCESS(LATE PROD- 14-7/8"" X 34-3/8""")"
8	PANEL Cat #: 24H93 Model/Part #: LB-59106CC	1	SIDE
10	POST-CORNER	2	POST CRNR

Callout	Name	Quantity	Description
	Cat #: 50G12 Model/Part #: LB-56334C		
13	COVER-CONTROL BOX Cat #: 75G17 Model/Part #: LB-56336C	1	RIGHT SIDE
14	COVER-CONTROL BOX Cat #: 75G18 Model/Part #: LB-56337C	1	TOP
15	GRILLE-DISCHARGE Cat #: 47C97 Model/Part #: LB-34250C	1	GRILLE-DISCHARGE
16	RING-ORIFICE Cat #: 51G71 Model/Part #: LB-56338C	1	ORIFICE-24"

## CONTROL PANEL PARTS

Callout	Name	Quantity	Description
	FUSE Cat #: 34C21 Model/Part #: 34C2101	1	"GMQ TYPE,3.2AMP,300V (FOOTNOTE 2)"
	FUSE Cat #: 71G35 Model/Part #: 71G3501	1	"N3 TYPE,3.5AMP,125V (FOOTNOTE 2)"
40	CONTACTOR Cat #: 68652 Model/Part #: P-8-7711	1	"DPDT,N.O.,24V(1PH)"
40	CONTACTOR Cat #: 38393 Model/Part #: P-8-7736	1	"3PDT,24V(3PH)"
41	TRANSFORMER Cat #: 13H28 Model/Part #: 13H2801	1	"208/240V PRI,24V SEC,70VA, L/FUSE"
44	CAPACITOR-START Cat #: 66083 Model/Part #: P-8-1101	1	"135- 155MFD,320VAC(1PH ONLY)"
K3	RELAY Cat #: 81F05 Model/Part #: 81F0501	1	"I.D.BLOWER- 3PDT,24V"
K31	RELAY-POTENTIAL Cat #: 66462 Model/Part #: P-8-1391	1	"SP,N.C.,480V(1PH ONLY)"
TB1	STRIP-TERMINAL Cat #: 36G06 Model/Part #: 36G0601	1	TERMINAL BOARD

Callout	Name	Quantity	Description
TB2	BLOCK-TERMINAL Cat #: 13B37 Model/Part #: 13B3701	1	"(208/230V,3PH)"
TB2	BLOCK-TERMINAL Cat #: 28G73 Model/Part #: 28G7301	1	HI VOLTAGE(1PH)
TB3	BLOCK-TERMINAL Cat #: 13B37 Model/Part #: 13B3701	1	"(208/230V,3PH)"
TB3	BLOCK-TERMINAL Cat #: 25G36 Model/Part #: 25G3601	1	(1PH)

## COOLING PARTS

Callout	Name	Quantity	Description
	RELAY-OVERLOADCOMP-INTERNAL Cat #: Model/Part #:	1	
	DRIER Cat #: 12L72 Model/Part #: 12L7201	1	LIQUID LINE
	VALVE-EXPANSION Cat #: 28C13 Model/Part #: 28C1301	1	LIQUID LINE
	MOUNT PKG-COMP Cat #: 49A67 Model/Part #: 49A7001PR	1	49A7001PR COMP MT PK
	MUFFLER Cat #: 57A68 Model/Part #: 57A6801	1	DISCHARGE LINE
	DRIER Cat #: 58A64 Model/Part #: 58A6401	1	SUCTION LINE
	WELL-THERMOMETER Cat #: 25G48 Model/Part #: LB-54392CB	1	LIQUID LINE
	MANIFOLD Cat #: LB-56232D Model/Part #: LB- 56232D	1	DISCHARGE LINE
	MANIFOLD Cat #: LB-56233D Model/Part #: LB- 56233D	1	SUCTION LINE
	DISTRIBUTOR ASSY Cat #: 56G91 Model/Part #: LB-57804BC	1	LIQUID LINE-L/TUBES

<b>Callout</b>	<b>Name</b>	<b>Quantity</b>	<b>Description</b>
	CAP-SEAL Cat #: 66817 Model/Part #: P-8-1401	3	FITTING-PRESSURE TAP
	VALVE CORE Cat #: 66820 Model/Part #: P-8-1897	2	VALVE, CORE 8075910047
	CAP-SEAL Cat #: 58114 Model/Part #: P-8-3187	2	CAP, BRASS
18	COIL-OUTDOOR Cat #: 51G38 Model/Part #: LB-56382CH	1	W/MANIFOLD
19	COIL-INDOOR Cat #: 56G02 Model/Part #: LB-56384CJ	1	W/MANIFOLD
21	SUPPORT-COIL Cat #: 92J06 Model/Part #: LB-56328CA	1	BOTTOM
22	SUPPORT-COIL Cat #: LB-56300D Model/Part #: LB-56300D	1	REAR
23	SUPPORT-COIL Cat #: LB-56278D Model/Part #: LB-56278D	1	FRONT
24	COMPRESSOR Cat #: 68J69 Model/Part #: 36G1301	1	"4-3/4TON,208-230/60/1,BRISTOL"
24	COMPRESSOR Cat #: 36G14 Model/Part #: 36G1401	1	"4-3/4TON,200-230/60/3,BRISTOL"
25	PAN-DRAIN Cat #: 77H44 Model/Part #: LB-53249CC	1	PAN S.A.-DRAIN
26	COVER Cat #: 36G1101 Model/Part #: 36G1101	1	COMPRESSOR-SOUND
27	CAPACITOR-RUN Cat #: 53H15 Model/Part #: 96C5401	1	"30MFD,440VAC(1PHASE ONLY)"
28	CAPACITOR-RUN Cat #: 53H14 Model/Part #: 96C5301	1	"25MFD,440VAC(1PHASE ONLY)"
29	CAPACITOR Cat #: 81A39 Model/Part #: 81A3901	1	"7MFD,370VAC"
30	MOTOR-FAN Cat #: 65C81 Model/Part #: 65C8101	1	"1/4HP,825RPM,208-230/60/1"

<b>Callout</b>	<b>Name</b>	<b>Quantity</b>	<b>Description</b>
32	BRACKET-MTR MTG Cat #: 45F27 Model/Part #: 45F2701	1	MOUNT-MOTOR (63K65 REPLACES)
33	SHIELD-RAIN Cat #: 32621 Model/Part #: P-8-6142	1	SHIELD, MOTOR
35	FAN Cat #: 16C01 Model/Part #: 16C0101	1	"1/2" BORE, 24" DIA, 4 BLADES"
37	SWITCH-LO PRESS Cat #: 85C23 Model/Part #: 85C2301	1	"IN 55PSIG, OUT 35PSIG"
J3	HARNESS-WIRING Cat #: 64G31 Model/Part #: LB-56319CA	1	ECONOMIZER
P3	CONNECTOR Cat #: 64G30 Model/Part #: LB-56318CA	1	ECONOMIZER

**Note:**

Note1: SEE FIELD REPLACEMENT CRANKCASE HEATER CHART ON CRL CARD. Note2: EARLIER PRODUCTION UNITS HAD FUSED TRANSFORMERS WHICH USED ONE OF THE LISTED FUSES. ORDER THE APPROPRIATE REPLACEMENT FUSE BY AMPERAGE.