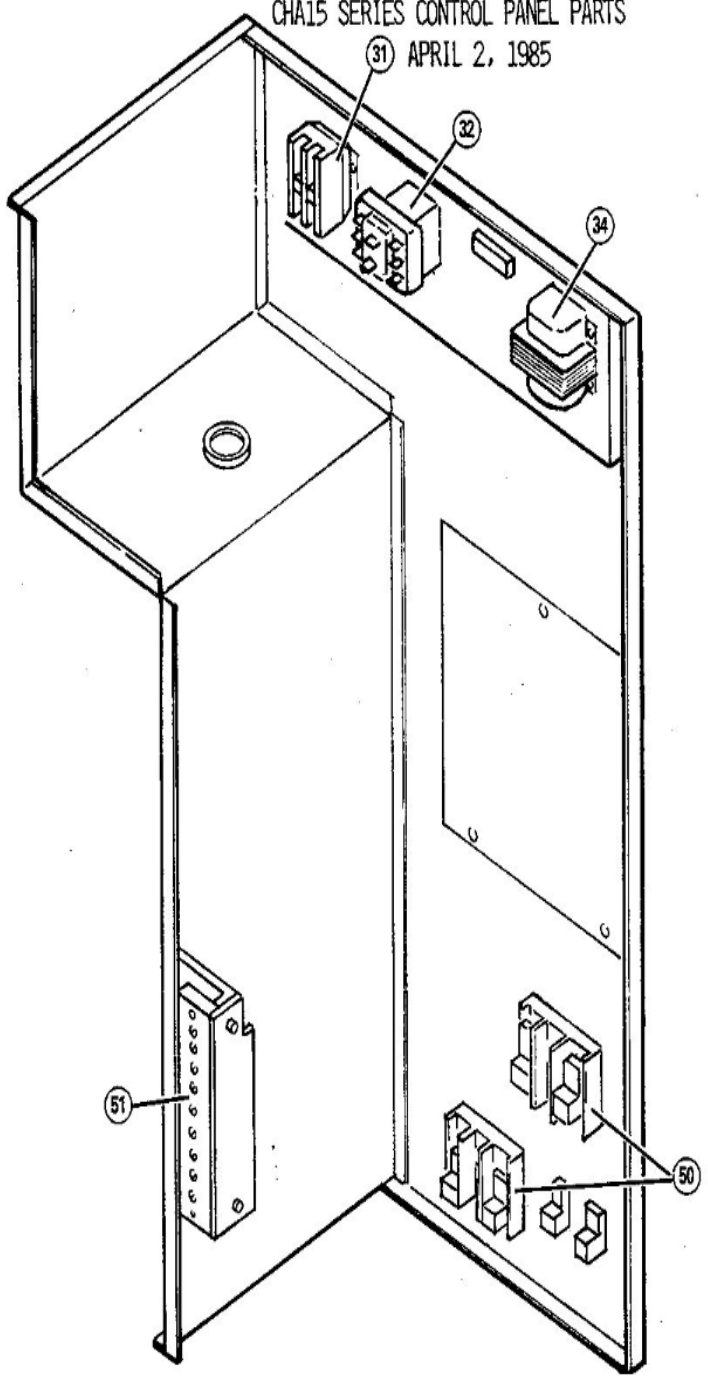


CHA15 SERIES CONTROL PANEL PARTS  
APRIL 2, 1985



Revision Number - 3

## \*OPTIONAL PARTS-FIELD INSTALLED

| Callout | Name   | Quantity | Description                 |
|---------|--|----------|-----------------------------|
|         | TEE<br>Cat #: 87071 Model/Part #: P-8-10569            | 1        | SCHRADER<br>DEPRESSOR       |
|         | NUT<br>Cat #: 59498 Model/Part #: P-8-1218             | 2        | FLARE                       |
|         | CAP-SEAL<br>Cat #: 58114 Model/Part #: P-8-3187        | 1        | CAP, BRASS                  |
|         | FITTING<br>Cat #: 59784 Model/Part #: P-8-4934         | 1        | STRAIN RELIEF               |
|         | SWITCH-LO PRESS<br>Cat #: 68493 Model/Part #: P-8-6383 | 1        | "IN 285PSIG,OUT<br>140PSIG" |

## BLOWER PARTS

| Callout | Name  | Quantity | Description                      |
|---------|---|----------|----------------------------------|
| 38      | HOUSING-BLOWER<br>Cat #: 32G72 Model/Part #: LB-51184CB | 1        | BLOWER S.A.                      |
| 39      | WHEEL-BLOWER<br>Cat #: 21707 Model/Part #: P-5-219      | 1        | "1/2""BORE,9-1/2""X<br>9-1/2""   |
| 40      | MOTOR-BLOWER<br>Cat #: 25G52 Model/Part #: 67F0701      | 1        | "1/3HP,1075RPM,208-<br>230/60/1" |
| 42      | CAPACITOR-FAN MTR<br>Cat #: 53H02 Model/Part #: 81A3801 | 1        | "5MFD,370VAC"                    |
| 43      | PLATE-CUTOFF<br>Cat #: 39A23 Model/Part #: LB-19044D    | 1        | CUTOFF PLATE                     |

## CABINET PARTS

| Callout | Name   | Quantity | Description |
|---------|--|----------|-------------|
|         | FILTER-AIR"16""X25""X1"",DISPOSABLE (FS1<br>Cat #: Model/Part #: | 1        |             |

| <b>Callout</b> | <b>Name</b>   | <b>Quantity</b> | <b>Description</b>          |
|----------------|---|-----------------|-----------------------------|
|                | ADAPTER<br>Cat #: 81G2001 Model/Part #: 81G2001               | 1               | (FS15-46-2)                 |
|                | PANEL<br>Cat #: 81G2201 Model/Part #: 81G2201                 | 1               | FILTER<br>ACCESS(FS15-46-2) |
|                | PANEL<br>Cat #: 99G98 Model/Part #: LB-53579CA                | 1               | FILTER<br>ACCESS(FS15-46)   |
| 1              | PANEL-TOP<br>Cat #: 50G23 Model/Part #: LB-53259CA            | 1               | PANEL-TOP                   |
| 2              | PANEL<br>Cat #: 34G48 Model/Part #: LB-53265CA                | 1               | BLOWER SECTION-<br>END      |
| 3              | PANEL<br>Cat #: 46G54 Model/Part #: LB-53244CA                | 1               | BLOWER SECTION-<br>FRONT    |
| 4              | PANEL<br>Cat #: 29H24 Model/Part #: LB-59106CA                | 1               | BLOWER SECTION-<br>REAR     |
| 6              | PANEL<br>Cat #: 46G93 Model/Part #: LB-53266CA                | 1               | ACCESS                      |
| 8              | PANEL<br>Cat #: LB-53262CA Model/Part #: LB-53262CA           | 1               | DUCT SECTION-<br>UPPER REAR |
| 9              | PANEL<br>Cat #: LB-53261CA Model/Part #: LB-53261CA           | 1               | DUCT SECTION-<br>LOWER REAR |
| 10             | POST-CORNER<br>Cat #: 49G48 Model/Part #: LB-53253C           | 2               | POST-CORN                   |
| 11             | MULLION<br>Cat #: LB-53267C Model/Part #: LB-53267C           | 1               | COIL SUPPORT                |
| 12             | COVER-CONTROL BOX<br>Cat #: LB-53295B Model/Part #: LB-53295B | 1               | COVER-CONTROL<br>BOX        |
| 14             | GRILLE-DISCHARGE<br>Cat #: 38G25 Model/Part #: LB-53272B      | 1               | GRILLE-DISCHARGE            |
| 15             | RING-ORIFICE<br>Cat #: 40G90 Model/Part #: LB-53247C          | 1               | ORIFICE FAN                 |

## CONTROL PANEL PARTS

| <b>Callout</b> | <b>Name</b>  | <b>Quantity</b> | <b>Description</b>              |
|----------------|--|-----------------|---------------------------------|
| 31             | CONTACTOR<br>Cat #: 65C69 Model/Part #: 65C6901      | 1               | "SPST,NO,24V(1 PHASE)"          |
| 31             | CONTACTOR<br>Cat #: 38393 Model/Part #: P-8-7736     | 1               | "3PDT,24V(3 PHASE)"             |
| 32             | RELAY<br>Cat #: 81F05 Model/Part #: 81F0501          | 1               | "ID BLOWER,24V,3PDT"            |
| 34             | TRANSFORMER<br>Cat #: 25G37 Model/Part #: 25G3701    | 1               | "230V PRI,24V SEC,45VA NO FUSE" |
| 50             | BLOCK-TERMINAL<br>Cat #: 13B37 Model/Part #: 13B3701 | 2               | HI VOLTAGE(3 PHASE)             |
| 50             | BLOCK-TERMINAL<br>Cat #: 25G36 Model/Part #: 25G3601 | 2               | HI VOLTAGE(1 PHASE)             |
| 51             | STRIP-TERMINAL<br>Cat #: 25G35 Model/Part #: 25G3501 | 1               | LO VOLTAGE-9 POLE               |

## COOLING PARTS

| <b>Callout</b> | <b>Name</b>  | <b>Quantity</b> | <b>Description</b> |
|----------------|--|-----------------|--------------------|
|                | RELAY-OVERLOADCOMP-INTERNAL<br>Cat #: Model/Part #:        | 1               |                    |
|                | MOUNT PKG-COMP<br>Cat #: 87F70 Model/Part #: 30G7801PR     | 1               | MOUNT PKG-COMP     |
|                | DRIER<br>Cat #: 58A63 Model/Part #: 58A6301                | 1               | SUCTION LINE       |
|                | DRIER<br>Cat #: 67H0601 Model/Part #: 67H0601              | 1               | LIQUID LINE        |
|                | SWITCH-LO PRESS<br>Cat #: 85C23 Model/Part #: 85C2301      | 1               | "IN 55,OUT 25"     |
|                | CONTROL-TIMED OFF<br>Cat #: 32F21 Model/Part #: LB-50709BA | 1               | (OPTIONAL)         |
|                | STRAINER<br>Cat #: 35G84 Model/Part #: LB-56378CB          | 1               | ASSY W/TUBES       |
|                | CAP-SEAL   | 4               | FITTING-PRESSURE   |

| <b>Callout</b> | <b>Name</b>  | <b>Quantity</b> | <b>Description</b>           |
|----------------|--|-----------------|------------------------------|
|                | Cat #: 66817 Model/Part #: P-8-1401                        |                 | TAP                          |
|                | VALVE CORE<br>Cat #: 66820 Model/Part #: P-8-1897          | 3               | VALVE, CORE<br>8075910047    |
|                | CAP-SEAL<br>Cat #: 58114 Model/Part #: P-8-3187            | 3               | CAP, BRASS                   |
| 13             | PAN-DRAIN<br>Cat #: 28H68 Model/Part #: LB-53249CA         | 1               | PAN S.A.-DRAIN               |
| 18             | COIL-OUTDOOR<br>Cat #: 35G80 Model/Part #: LB-56382CB      | 1               | L/MANIFOLD                   |
| 19             | COIL-INDOOR<br>Cat #: 35G88 Model/Part #: LB-56384CB       | 1               | L/MANIFOLD                   |
| 20             | SUPPORT-COIL<br>Cat #: LB-53589CA Model/Part #: LB-53589CA | 1               | BOTTOM                       |
| 21             | SUPPORT-COIL<br>Cat #: LB-53228D Model/Part #: LB-53228D   | 1               | REAR                         |
| 22             | COMPRESSOR<br>Cat #: 11G31 Model/Part #: 11G3101           | 1               | "2-1/2TON,208-230/60/1,TEC"  |
| 22             | COMPRESSOR<br>Cat #: 28G78 Model/Part #: 28G7801           | 1               | "2-1/2TON,200-230/60/3,TEC"  |
| 24             | CAPACITOR-RUN<br>Cat #: 53H16 Model/Part #: 96C4701        | 1               | "35MFD,370VAC(1 PHASE ONLY)" |
| 25             | CAPACITOR-FAN MTR<br>Cat #: 53H02 Model/Part #: 81A3801    | 1               | "5MFD,370VAC"                |
| 26             | MOTOR-FAN<br>Cat #: 12G73 Model/Part #: 12G7301            | 1               | "1/6HP,1075RPM,208-230/60/1" |
| 27             | SUPPORT-COIL<br>Cat #: LB-53257C Model/Part #: LB-53257C   | 1               | FRONT                        |
| 29             | FAN<br>Cat #: 89F43 Model/Part #: 89F4301                  | 1               | "1/2""BORE,18""DIA,4 BLADES" |
| 35             | HARNESS-WIRING<br>Cat #: LB-53434C Model/Part #: LB-53434C | 1               | ECONOMIZER                   |

**Note:**

There are no technical notes for this product.