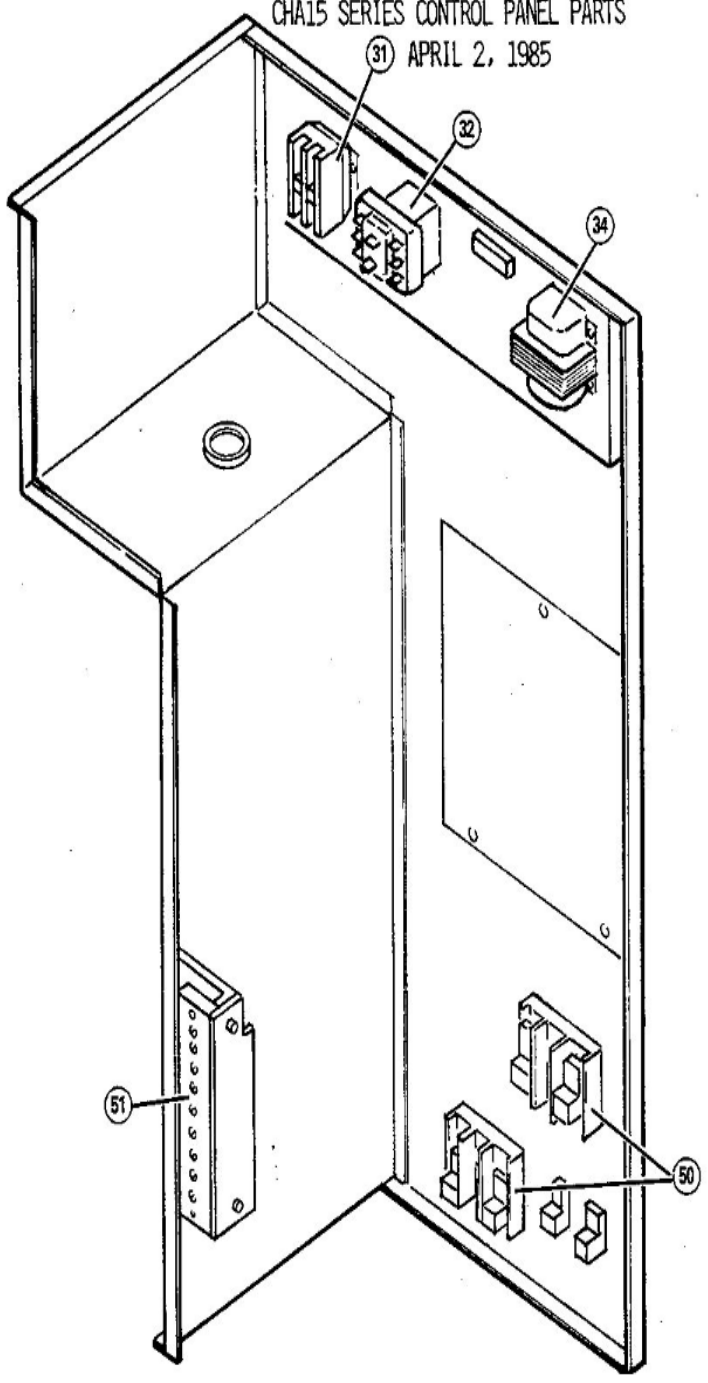


CHA15 SERIES CONTROL PANEL PARTS
APRIL 2, 1985



Revision Number - 2

*OPTIONAL PARTS-FIELD INSTALLED

Callout	Name	Quantity	Description
	TEE Cat #: 87071 Model/Part #: P-8-10569	1	SCHRADER DEPRESSOR
	NUT Cat #: 59498 Model/Part #: P-8-1218	2	FLARE
	CAP-SEAL Cat #: 58114 Model/Part #: P-8-3187	1	CAP, BRASS
	FITTING Cat #: 59784 Model/Part #: P-8-4934	1	STRAIN RELIEF
	SWITCH-LO PRESS Cat #: 68493 Model/Part #: P-8-6383	1	"IN 285PSIG,OUT 140PSIG"

BLOWER PARTS

Callout	Name	Quantity	Description
38	HOUSING-BLOWER Cat #: 32G72 Model/Part #: LB-51184CB	1	BLOWER S.A.
39	WHEEL-BLOWER Cat #: 21707 Model/Part #: P-5-219	1	"1/2""BORE,9-1/2""X 9-1/2""
40	MOTOR-BLOWER Cat #: 72F57 Model/Part #: 72F5701	1	"1/3HP,1350RPM,220- 240/50/1 (INTL ONLY)"
42	CAPACITOR Cat #: 81A39 Model/Part #: 81A3901	1	"7MFD,370VAC(INTL ONLY)"
43	PLATE-CUTOFF Cat #: 39A23 Model/Part #: LB-19044D	1	CUTOFF PLATE

CABINET PARTS

Callout	Name	Quantity	Description
	FILTER-AIR"20"" X 20"" X 1"",DISPOSABLE	1	

Callout	Name	Quantity	Description
	Cat #: Model/Part #:		
	ADAPTER Cat #: 81G2001 Model/Part #: 81G2001	1	(FS15-46-2)
	PANEL Cat #: 81G2201 Model/Part #: 81G2201	1	FILTER ACCESS(FS15-46-2)
	PANEL Cat #: 99G98 Model/Part #: LB-53579CA	1	FILTER ACCESS(FS15-46)
1	PANEL-TOP Cat #: 50G23 Model/Part #: LB-53259CA	1	PANEL-TOP
2	PANEL Cat #: 34G48 Model/Part #: LB-53265CA	1	BLOWER SECTION- END
3	PANEL Cat #: 46G54 Model/Part #: LB-53244CA	1	BLOWER SECTION- FRONT
4	PANEL Cat #: 29H24 Model/Part #: LB-59106CA	1	BLOWER SECTION- REAR
6	PANEL Cat #: 46G93 Model/Part #: LB-53266CA	1	ACCESS
8	PANEL Cat #: LB-53262CA Model/Part #: LB-53262CA	1	DUCT SECTION- UPPER REAR
9	PANEL Cat #: LB-53261CA Model/Part #: LB-53261CA	1	DUCT SECTION- LOWER REAR
10	POST-CORNER Cat #: 49G48 Model/Part #: LB-53253C	2	POST-CORN
11	MULLION Cat #: LB-53267C Model/Part #: LB-53267C	1	COIL SUPPORT
12	COVER-CONTROL BOX Cat #: LB-53295B Model/Part #: LB-53295B	1	COVER-CONTROL BOX
14	GRILLE-DISCHARGE Cat #: 38G25 Model/Part #: LB-53272B	1	GRILLE-DISCHARGE
15	RING-ORIFICE Cat #: 40G90 Model/Part #: LB-53247C	1	ORIFICE FAN

CONTROL PANEL PARTS

Callout	Name	Quantity	Description
31	CONTACTOR Cat #: 65C69 Model/Part #: 65C6901	1	"SPST,NO,24V"
32	RELAY Cat #: 81F05 Model/Part #: 81F0501	1	"ID BLOWER,24V,3PDT"
34	TRANSFORMER Cat #: 99C10 Model/Part #: 99C1001	1	"240V PRI,24V SEC,60VA NO FUSE (INTL ONL
50	BLOCK-TERMINAL Cat #: 25G36 Model/Part #: 25G3601	2	HI VOLTAGE
51	STRIP-TERMINAL Cat #: 25G35 Model/Part #: 25G3501	1	LO VOLTAGE-9 POLE

COOLING PARTS

Callout	Name	Quantity	Description
	RELAY-OVERLOADCOMP-INTERNAL Cat #: Model/Part #:	1	
	MOUNT PKG-COMP Cat #: 87F70 Model/Part #: 30G7801PR	1	MOUNT PKG-COMP
	DRIER Cat #: 58A63 Model/Part #: 58A6301	1	SUCTION LINE
	DRIER Cat #: 69H06 Model/Part #: 69H0601	1	LIQUID LINE
	SWITCH-LO PRESS Cat #: 85C23 Model/Part #: 85C2301	1	"IN 55,OUT 25"
	CONTROL-TIMED OFF Cat #: 32F21 Model/Part #: LB-50709BA	1	(OPTIONAL)
	STRAINER Cat #: 35G83 Model/Part #: LB-56378CA	1	ASSY W/TUBES
	CAP-SEAL Cat #: 66817 Model/Part #: P-8-1401	4	FITTING-PRESSURE TAP

Callout	Name	Quantity	Description
	VALVE CORE Cat #: 66820 Model/Part #: P-8-1897	3	VALVE, CORE 8075910047
	CAP-SEAL Cat #: 58114 Model/Part #: P-8-3187	3	CAP, BRASS
13	PAN-DRAIN Cat #: 28H68 Model/Part #: LB-53249CA	1	PAN S.A.-DRAIN
18	COIL-OUTDOOR Cat #: 35G79 Model/Part #: LB-56382CA	1	L/MANIFOLD
19	COIL-INDOOR Cat #: 35G87 Model/Part #: LB-56384CA	1	L/MANIFOLD
20	SUPPORT-COIL Cat #: LB-53589CA Model/Part #: LB-53589CA	1	BOTTOM
21	SUPPORT-COIL Cat #: LB-53258C Model/Part #: LB-53258C	1	REAR
22	COMPRESSOR Cat #: 41F24 Model/Part #: 41F2401	1	"2TON,220-240/50/1,TEC (INTL ONLY)"
24	CAPACITOR-RUN Cat #: 96C46 Model/Part #: 96C4601	1	"30MFD,370VAC(INTL ONLY)"
25	CAPACITOR-FAN MTR Cat #: 53H02 Model/Part #: 81A3801	1	"5MFD,370VAC"
26	MOTOR-FAN Cat #: 12G73 Model/Part #: 12G7301	1	"1/6HP,1075RPM,208-230/60/1"
27	SUPPORT-COIL Cat #: LB-53257C Model/Part #: LB-53257C	1	FRONT
29	FAN Cat #: 89F43 Model/Part #: 89F4301	1	"1/2""BORE,18""DIA,4 BLADES"
35	HARNESS-WIRING Cat #: LB-53434C Model/Part #: LB-53434C	1	ECONOMIZER

Note:

There are no technical notes for this product.