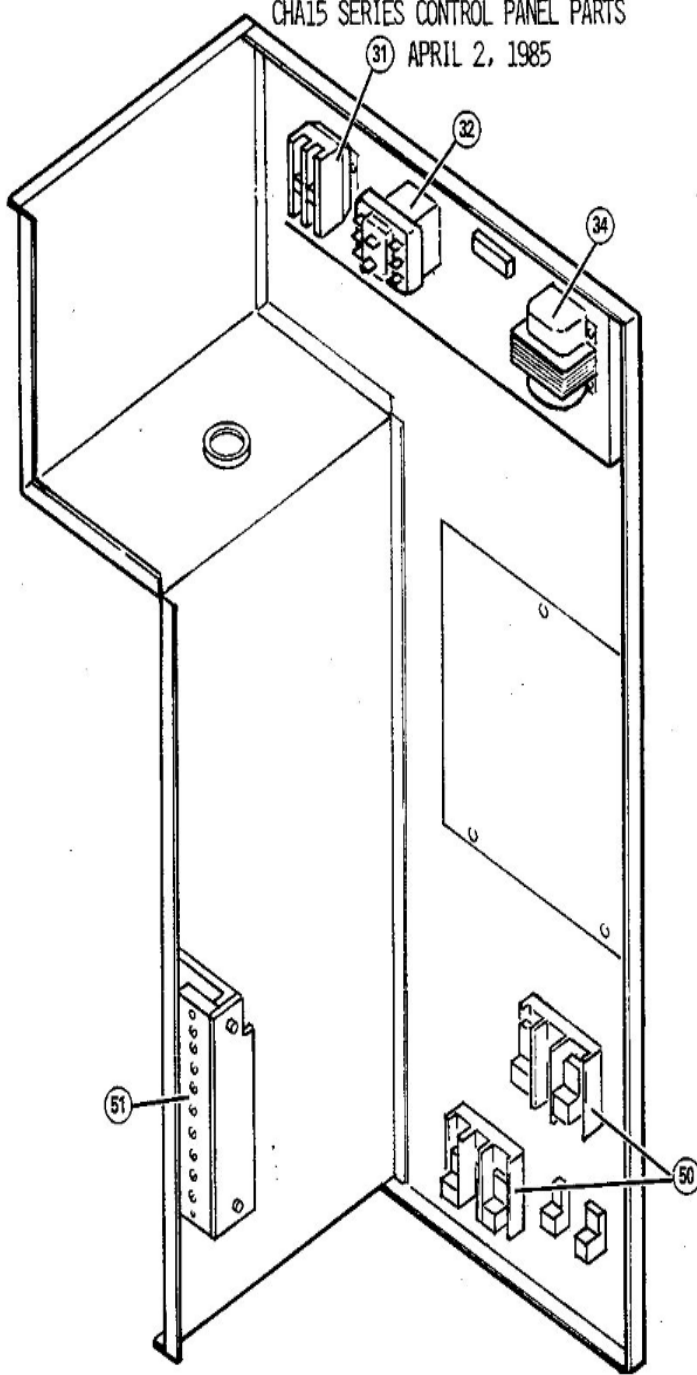


CHA15 SERIES CONTROL PANEL PARTS

31 APRIL 2, 1985



Callout	Name	Quantity	Description
29	FUSE Cat #: 60561 Model/Part #: P-8-401	3	FUSE 50A
29	FUSE Cat #: 60566 Model/Part #: P-8-5813	3	FUSE 25A
DL2	RELAY-DELAY Cat #: 25G43 Model/Part #: 25G4301	1	RELAY, TIME DELAY
K9	RELAY Cat #: 67K65 Model/Part #: 67K6501	1	RELAY
S15	CONTACTOR Cat #: 95M57 Model/Part #: 100438-03	1	CONTACTOR 3PST 25A
S15	CONTROL-LIMIT, 60TX11-314975 BLU/WHT/BLU Cat #: 76W35 Model/Part #: 100611-06	1	CONTROL-LIMIT (110 DEGREE)
S15	CONTACTOR Cat #: 38113 Model/Part #: P-8-7716	1	CONTACTOR, 3 POLE 40A
S157	CONTROL-LIMIT 61F24 (STYLE 322850) WHITE Cat #: 76W34 Model/Part #: 102610-01	2	CONTROL-LIMIT (SECONDARY)
S20	CONTROL-LIMIT, 60TX11-314976 RED/WHT/RED Cat #: 76W36 Model/Part #: 100611-07	1	CONTROL-LIMIT (125 DEGREE)

Note:

There are no technical notes for this product.