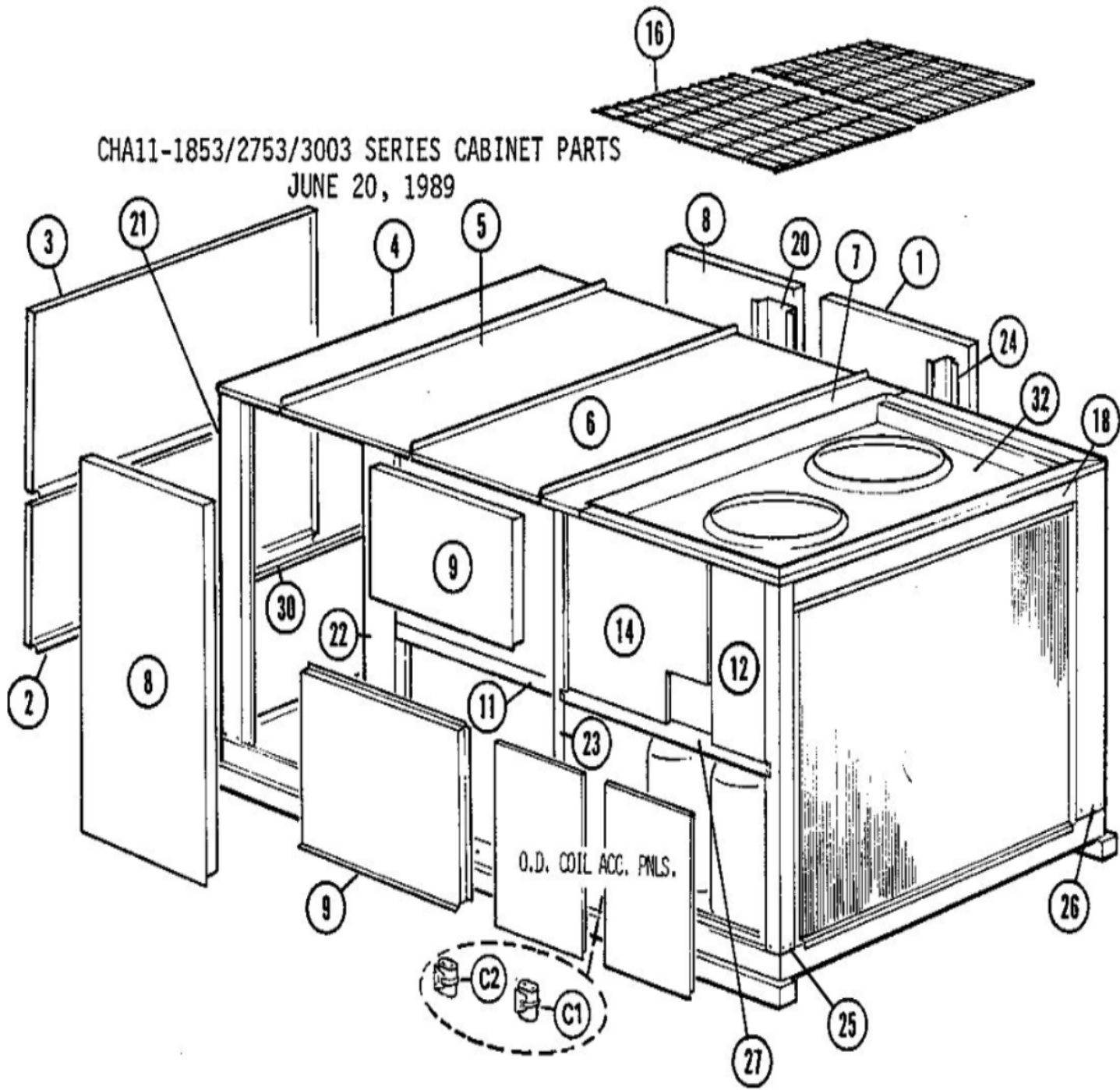
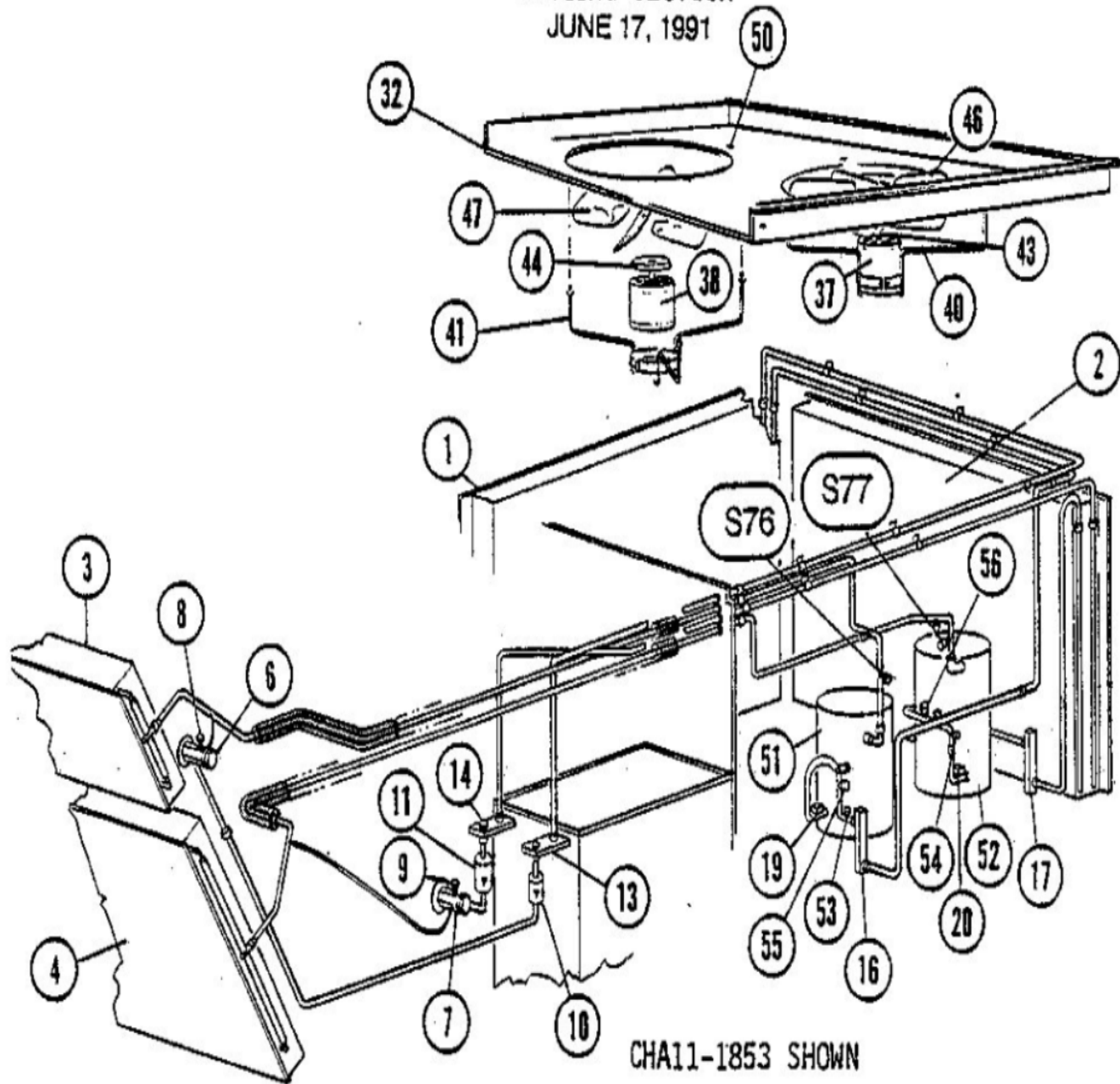


CHA11-1853/2753/3003 SERIES CABINET PARTS  
JUNE 20, 1989



CHA11-1853/2753/3003 SERIES  
COOLING SECTION  
JUNE 17, 1991



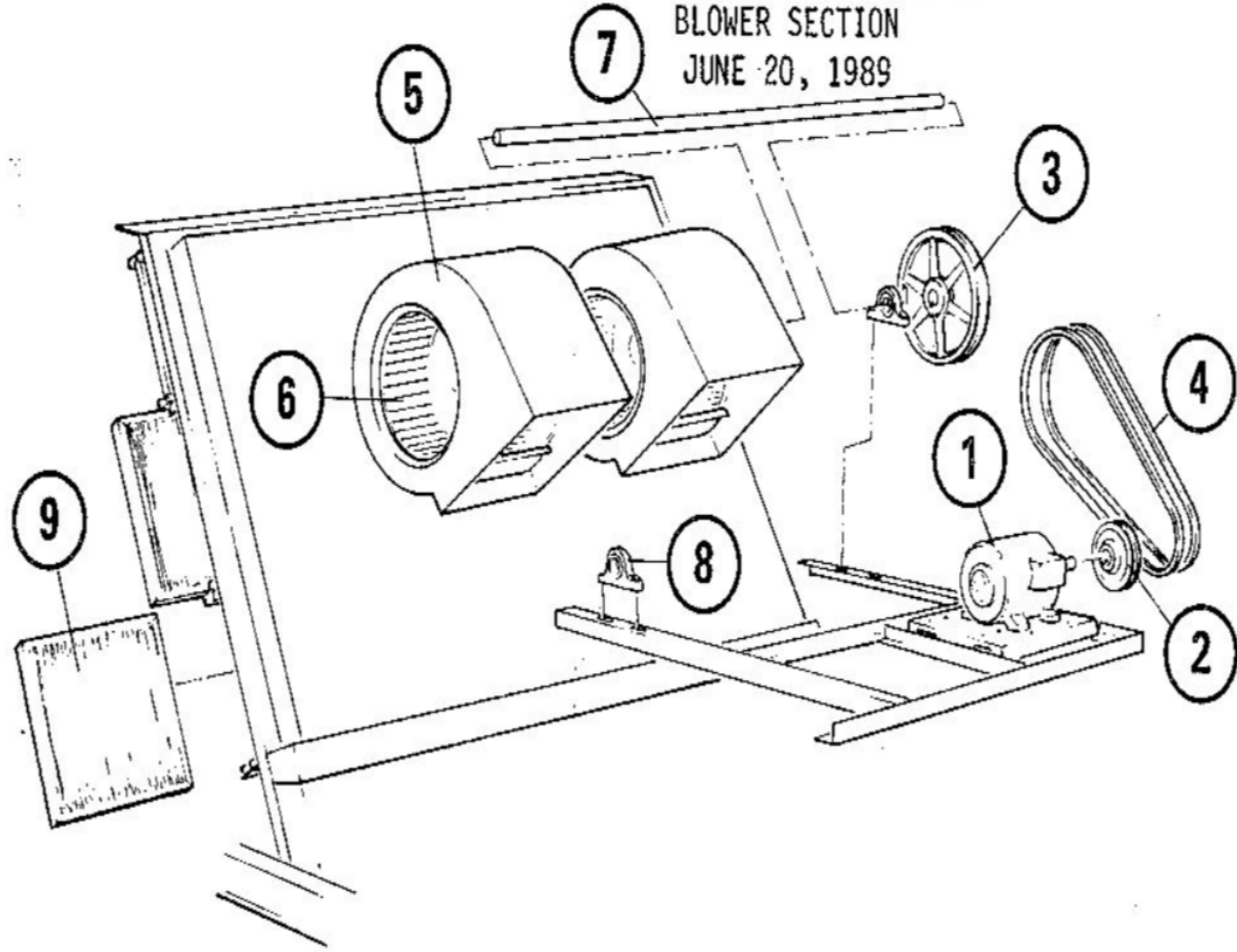
CHA11-1853 SHOWN





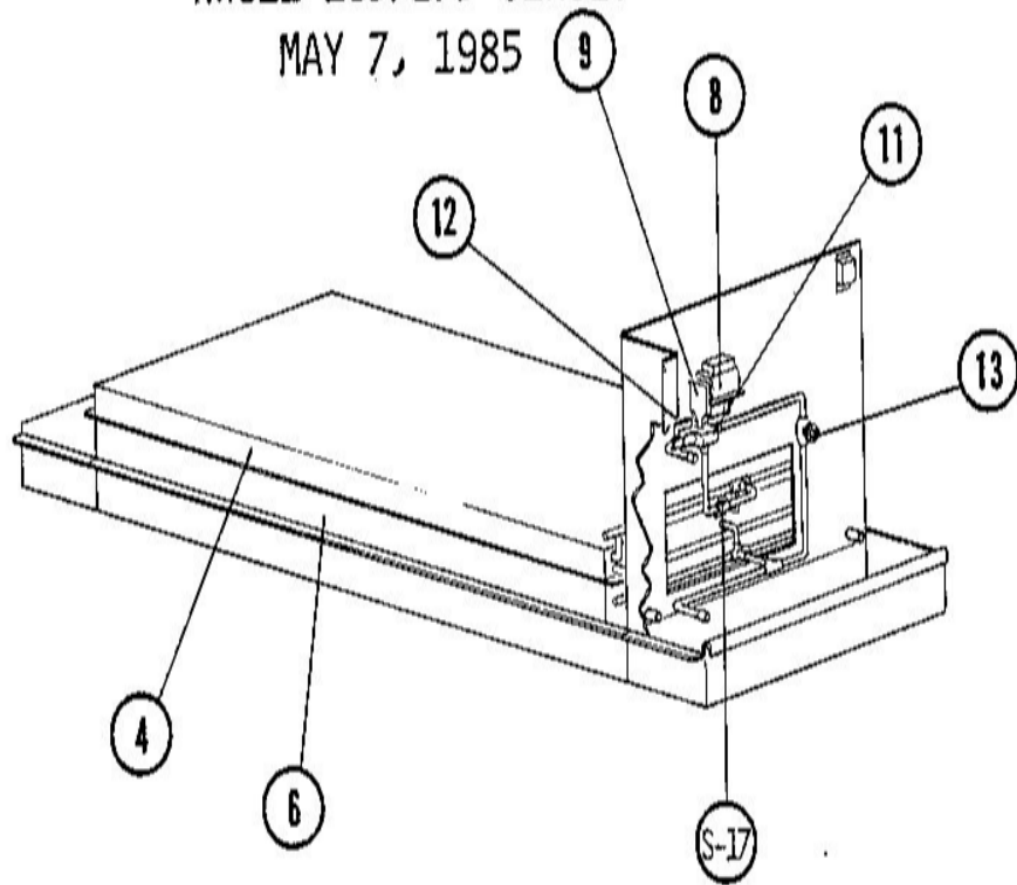


CHA11-1853/2753/3003 SERIES  
BLOWER SECTION  
JUNE 20, 1989



# HWC11-185/275 SERIES

MAY 7, 1985



Revision Number - 6

## \*OPTIONAL PARTS-FIELD INSTALLED

Callout	Name	Quantity	Description
	CAPACITOR Cat #: 12F47 Model/Part #: 12F4701	1	"6.8MFD,25VAC"
	PANEL-STATUS Cat #: 12F83 Model/Part #: 12F8301	1	SP11
	PANEL-STATUS Cat #: 12F84 Model/Part #: 12F8401	1	SSP11 SWITCHING
	THERMOSTAT Cat #: 13F06 Model/Part #: 13F0601	1	THERMOSTAT
	THERMOSTAT Cat #: 13F12 Model/Part #: 13F1201	1	THERMOSTAT
	SUBBASE Cat #: 13F16 Model/Part #: 13F1601	1	NON SWITCHING
	SUBBASE Cat #: 13F17 Model/Part #: 13F1701	1	SWITCHING
	SUBBASE Cat #: 13H76 Model/Part #: 13H7601	1	SWITCHING
	RELAY Cat #: 13H78 Model/Part #: 13H7801	1	"DPDT,24V"
	RELAY Cat #: 20G53 Model/Part #: 20G5301	1	RELAY
	RELAY Cat #: 24C41 Model/Part #: 24C4101	1	24V
	TRANSMITTER Cat #: 25C51 Model/Part #:	1	REMOTE

<b>Callout</b>	<b>Name</b>	<b>Quantity</b>	<b>Description</b>
	25C5101		
	THERMOSTAT Cat #: 25C52 Model/Part #: 25C5201	1	REMOTE
	RELAY Cat #: 26G12 Model/Part #: 26G1201	1	"SPDT,24V(K28)"
	SENSOR Cat #: 27C40 Model/Part #: 27C4001	1	REMOTE
	BLOCK-TERMINAL Cat #: 36G40 Model/Part #: 36G4001	23	BLOCK-TERMINAL
	THERMOSTAT Cat #: 36G62 Model/Part #: 36G6201	1	ROOM
	THERMOSTAT Cat #: 36G64 Model/Part #: 36G6401	1	REMOTE
	THERMOSTAT Cat #: 36G67 Model/Part #: 36G6701	1	T5010 PRO STAT
	SENSOR Cat #: 38G6801 Model/Part #: 38G6801	1	REMOTE
	THERMOSTAT Cat #: 43C78 Model/Part #: 43C7801	1	THERMOSTAT
	RELAY Cat #: 36G37 Model/Part #: 43G0601	2	"4PDT,24V"
	RELAY Cat #: 43G49 Model/Part #: 43G4901	2	"DPDT,24V"
	RESISTOR Cat #: 43G6601 Model/Part #:	1	523 OHMS

<b>Callout</b>	<b>Name</b>	<b>Quantity</b>	<b>Description</b>
	43G6601		
	RESISTOR Cat #: 43G6701 Model/Part #: 43G6701	1	17.8K OHMS
	RESISTOR Cat #: 43G7101 Model/Part #: 43G7101	1	150 OHMS
	CLOCK-TIME Cat #: 43G98 Model/Part #: 43G9801	1	7 DAY
	CLOCK-TIME Cat #: 43G99 Model/Part #: 43G9901	1	24 HR
	RELAY Cat #: 43G49 Model/Part #: 54G4501	1	"DPDT,24V"
	POETNTIOMETER Cat #: 54G5601 Model/Part #: 54G5601	1	2K OHMS
	RELAY-DELAY Cat #: 54G57 Model/Part #: 54G5701	2	24V
	RESISTOR Cat #: 54G5801 Model/Part #: 54G5801	1	90.9 OHMS
	RESISTOR Cat #: 54G5901 Model/Part #: 54G5901	1	100 OHMS
	RESISTOR Cat #: 54G6001 Model/Part #: 54G6001	1	182 OHMS
	RESISTOR Cat #: 54G6101 Model/Part #: 54G6101	1	681 OHMS
	RESISTOR Cat #: 54G6201 Model/Part #:	1	806 OHMS

<b>Callout</b>	<b>Name</b>	<b>Quantity</b>	<b>Description</b>
	54G6201		
	SENSOR Cat #: 58C92 Model/Part #: 58C9201	1	WALL MOUNT
	SUBBASE Cat #: 58C93 Model/Part #: 58C9301	1	SWITCHING-REMOTE
	SWITCH-LO PRESS Cat #: 58H53 Model/Part #: 58H5301	1	(SUCTION LINE)
	VALVE-SOLENOID Cat #: 58H54 Model/Part #: 58H5401	1	(LIQUID LINE)
	TIME DELAY Cat #: 65G70 Model/Part #: 65G7001	1	"24V,SOLID STATE"
	TIME DELAY Cat #: 76C85 Model/Part #: 76C8501	1	"24V,SOLID STATE"
	THERMOSTAT Cat #: 81G59 Model/Part #: 81G5901	1	T7300
	SUBBASE Cat #: 81G60 Model/Part #: 81G6001	1	SWITCHING
	SENSOR Cat #: 86G67 Model/Part #: 86G6701	1	ROOM TEMP W/OVERRIDE
	RELAY Cat #: 87F8401 Model/Part #: 87F8401	1	"4PDT,24V"
	TRANSFORMER Cat #: 94C79 Model/Part #: 94C7901	1	"600VPRI,120/240VSPC,1500VA NO FUSE"
	BOARD-CIRCUIT Cat #: LB-49389BA Model/Part #:	1	BOARD-CIRCUIT

Callout	Name	Quantity	Description
	LB-49389BA		
	HARNESS-WIRING Cat #: LB-57275C Model/Part #: LB-57275C	1	HARNESS-WIRING
	SWITCH-PRESS Cat #: 38912 Model/Part #: P-8-10321	1	".02""W.C. TO 2""W.C."
	TEE Cat #: 87071 Model/Part #: P-8-10569	1	SCHRADER DEPRESSOR
	DRIER Cat #: 87327 Model/Part #: P-8-10808	1	DRIER, R22 ONLY
	NUT Cat #: 59498 Model/Part #: P-8-1218	2	FLARE
	CAP-SEAL Cat #: 66817 Model/Part #: P-8-1401	1	FITTING-PRESSURE TAP
	VALVE CORE Cat #: 66820 Model/Part #: P-8-1897	1	VALVE, CORE 8075910047
	KNOB-DIAL Cat #: 6882 Model/Part #: P-8-3096	1	FOR THERMOSTAT
	CAP-SEAL Cat #: 58114 Model/Part #: P-8-3187	1	CAP, BRASS
	FITTING Cat #: 59784 Model/Part #: P-8-4934	2	STRAIN RELIEF
	SWITCH-LO PRESS Cat #: 68493 Model/Part #: P-8-6383	1	"IN 285PSIG,OUT 140PSIG"
	THERMOSTAT Cat #: 68523 Model/Part #: P-8-	2	LOW AMBIENT

Callout	Name	Quantity	Description
	6384		

## BLOWER PARTS

Callout	Name	Quantity	Description
	MOUNT Cat #: 76784 Model/Part #: LB-25552D	5	"RUBBER-BLOWER FRAME,2""
	PLATE-CUTOFF Cat #: 21803 Model/Part #: LB-4279	2	CUT OFF PLATE (6 pcs blk)
	SPACER Cat #: 62F11 Model/Part #: LB-44102D	2	BEARING
	KEY Cat #: 86479 Model/Part #: P-8-5881	2	WOODRUFF
	KEY Cat #: 60800 Model/Part #: P-8-5882	1	KEY
1	MOTOR-BLOWER Cat #: 49A45 Model/Part #: 49A4501	1	"5HP,1500RPM,230- 400/50/3"
1	MOTOR-BLOWER Cat #: 67F36 Model/Part #: P-8-11298	1	"7-1/2HP,1500RPM,230- 400/50/3"
1	MOTOR-BLOWER Cat #: 32650 Model/Part #: P-8-5697	1	"5HP,1725RPM,200- 208/60/3"
1	MOTOR-BLOWER Cat #: 32619 Model/Part #: P-8-5699	1	"5HP,1725RPM,230- 460/60/3"
1	MOTOR-BLOWER Cat #: 32651 Model/Part #: P-8-5702	1	"5HP,1725RPM,575/60/3"
1	MOTOR-BLOWER Cat #: 32652 Model/Part #: P-8-5704	1	"7-1/2HP,1725RPM,200- 208/60/3"
1	MOTOR-BLOWER Cat #: 32653 Model/Part #: P-8-5705	1	"7-1/2HP,1725RPM,230- 460/60/3"
1	MOTOR-BLOWER Cat #: 32654 Model/Part #: P-8-5707	1	"7- 1/2HP,1725RPM,575/60/3"
2	PULLEY-MOTOR Cat #: 56938 Model/Part #: P-8-1496	1	"(5HP)1- 1/8""BORE,6""DIA,A-

Callout	Name	Quantity	Description
			BSECT"
2	PULLEY-MOTOR Cat #: 57526 Model/Part #: P-8-3026	1	"1-1/8""BORE,5-3/8""OD, B SEC (OPTIONAL)
2	PULLEY-MOTOR Cat #: P-8-6313 Model/Part #: P-8-6313	1	"(7-1/2HP)1- 3/8""BORE,7.5""DIA B SECTION
2	PULLEY-MOTOR Cat #: 21612 Model/Part #: P-8-6314	1	"(7-1/2HP),1- 3/8""BORE,6.5""DIA, B SECTI
3	PULLEY-BLOWER Cat #: 32560 Model/Part #: P-8-5123	1	"1- 7/16""BORE,10.4""DIA,A-B SEC"
3	PULLEY-BLOWER Cat #: 67F37 Model/Part #: P-8-9599	1	"1-7/16""BORE,9- 3/4""DIA,A-B SEC (INTL O
4	BELT Cat #: 21633 Model/Part #: P-8-4387	2	"81.3""LENGTH, A SECTION"
4	BELT Cat #: 21640 Model/Part #: P-8-4389	2	"69.3""LENGTH,A SECT(INTL ONLY)"
5	HOUSING-BLOWER Cat #: 12H74 Model/Part #: LB-39188CB	2	BLOWER S.A.
6	WHEEL-BLOWER Cat #: 85L53 Model/Part #: P-5-119	2	"1-7/16""BORE, 15""X15""
7	SHAFT-BLOWER Cat #: 23G89 Model/Part #: LB-50287C	1	"1-7/16""DIA,49- 5/8""LONG"
8	BEARING Cat #: 32332 Model/Part #: P-5-116	2	"1-7/16""BORE,BALL"
9	FILTER-AIR Cat #: 65C1201 Model/Part #: 65C1201	11	"16"" X 20"" X 1"" ,SLAB(CGN)"
9	FILTER-AIR Cat #: P-8-4586 Model/Part #: P-8-4586	11	"16""X20""X3/4"" ,SLAB"

## CABINET PARTS

<b>Callout</b>	<b>Name</b>	<b>Quantity</b>	<b>Description</b>
	PANEL-TOP Cat #: 68G70 Model/Part #: LB-39313C	2	LINER
	SEAL Cat #: 21G19 Model/Part #: LB-39398C	1	O.D.COIL SECT TOP(SIDE)
	ANGLE Cat #: 92G53 Model/Part #: LB-45984D	1	SUPPORT FOR LB- 50913C
	PANEL Cat #: 15G92 Model/Part #: LB-49085C	1	O.D.COIL SECT ACCESS(LEFT)
	PANEL Cat #: 15G93 Model/Part #: LB-49087C	1	O.D.COIL SECT ACCESS(RIGHT)
1	PANEL Cat #: 68F49 Model/Part #: LB-39334AA	1	ACCESS
2	PANEL Cat #: 88F83 Model/Part #: LB-39333AD	1	ACCESS
3	PANEL Cat #: 88F82 Model/Part #: LB-39333AC	1	ACCESS
05- APR	PANEL-TOP Cat #: 32G81 Model/Part #: LB-50912B	1	ONE PIECE
07- JUN	PANEL-TOP Cat #: 68G36 Model/Part #: LB-50913C	1	TOP PANEL #3
8	PANEL Cat #: 68F50 Model/Part #: LB-39334AC	2	ACCESS
9	PANEL Cat #: 12G87 Model/Part #: LB-39334AD	2	ACCESS
11	PANEL Cat #: 49H59 Model/Part #: LB-49092BA	1	FILLER
12	PANEL Cat #: 26G08 Model/Part #: LB-39344C	1	FILLER-OUTDOOR COIL SECTION
14	COVER-CONTROL BOX Cat #: 68G19 Model/Part #: LB-39589BA	1	COVER-CONTROL BOX
16	GUARD-FAN Cat #: 72C8901 Model/Part #: 72C8901	1	GUARD-FAN
18	SEAL	1	O.D.COIL SECT

<b>Callout</b>	<b>Name</b>	<b>Quantity</b>	<b>Description</b>
	Cat #: 21G19 Model/Part #: LB-39398C		TOP(SIDE)
20	MULLION Cat #: 40G92 Model/Part #: LB-39366BC	1	REAR
21	MULLION Cat #: 88F84 Model/Part #: LB-39365BA	2	CORNER (FRONT REAR)
22	MULLION Cat #: 40G92 Model/Part #: LB-39366BC	1	FRONT
23	MULLION Cat #: 20H40 Model/Part #: LB-48970CA	1	FRONT
24	MULLION Cat #: LB-39377C Model/Part #: LB-39377C	1	REAR
25	MULLION Cat #: 26G09 Model/Part #: LB-39375C	1	FRONT-OUTDOOR COIL SECTION
26	MULLION Cat #: 95G57 Model/Part #: LB-39376C	1	REAR-OUTDOOR COIL SECTION
27	MULLION Cat #: LB-39363CB Model/Part #: LB-39363CB	1	HORIZONTAL
30	MULLION Cat #: 88F85 Model/Part #: LB-39378C	1	HORIZONTAL
32	PANEL Cat #: 36H00 Model/Part #: LB-39409BA	1	ORIFICE

## CONTROL PANEL PARTS

<b>Callout</b>	<b>Name</b>	<b>Quantity</b>	<b>Description</b>
	FUSE Cat #: 65G72 Model/Part #: 65G7201	2	"TYPE KTK,15AMP,600VAC"
	FUSE Cat #: 71G35 Model/Part #: 71G3501	1	"TYPE N3,3.5AMP,120V"
	BLOCK-FUSE Cat #: 84F49 Model/Part #: 84F4901	1	"(460,575 & 380/420V)"
	FUSE	2	"TYPE FNQ,2.5AMP,500V"

Callout	Name	Quantity	Description
	Cat #: 84F50 Model/Part #: 84F5001		
	FUSE Cat #: 91C86 Model/Part #: 91C8601	1	"TYPE MDA,2.5AMP,250V"
	FUSE Cat #: 99C09 Model/Part #: 99C0901	1	"TYPE GMA,3.15AMP,250V"
	BUSHING-SNAP Cat #: P-8-242 Model/Part #: P-8- 242	1	"7/8" I.D."
	FUSE Cat #: 37803 Model/Part #: P-8- 400	3	"TYPE FRN,35AMP,250V"
	FUSE Cat #: 57771 Model/Part #: P-8-418	3	"TYPE FRN,30AMP,250V"
	BLOCK, FUSE Cat #: 59631 Model/Part #: P-8- 4372	1	(200 & 230V 5HP ONLY)
	BLOCK,FUSE Cat #: 37912 Model/Part #: P-8- 5848	1	(200 & 230V 7.5HP ONLY)
	GROMMET Cat #: 36C66 Model/Part #: P-8- 7324	3	"7/8" I.D. FOR 1- 1/8" OPENING"
A-10	RELAY Cat #: 31F31 Model/Part #: 31F3101	1	"COMP #2,240V"
A-9	RELAY Cat #: 31F31 Model/Part #: 31F3101	1	"COMP #1,240V"
DL8	TIME DELAY Cat #: 76C85 Model/Part #: 76C8501	1	"24V,SOLID STATE"
DL9	TIME DELAY Cat #: 65G70 Model/Part #: 65G7001	1	"24V,SOLID STATE"
F-10	HOLDER Cat #: 89F02 Model/Part #: 89F0201	2	FUSE, HOLDER

Callout	Name	Quantity	Description
F-11	HOLDER Cat #: 89F02 Model/Part #: 89F0201	2	FUSE, HOLDER
F-6	HOLDER Cat #: 89F02 Model/Part #: 89F0201	2	FUSE, HOLDER
F-8	HOLDER-FUSE Cat #: 60579 Model/Part #: P-8- 6237	1	"(200,230,460 & 575V)"
F-9	HOLDER-FUSE Cat #: 96C76 Model/Part #: 96C7601	1	(380/420V INTL ONLY)
F-9	CARRIER-FUSE Cat #: 96C77 Model/Part #: 96C7701	1	(380/420V INTL ONLY)
F-9	HOLDER-FUSE Cat #: 60579 Model/Part #: P-8- 6237	1	(460 & 575V ONLY)
GND	LUG-GROUND Cat #: P-8-7036 Model/Part #: P-8- 7036	1	LUG, SOLDERLESS
K-1	CONTACTOR-COMPR Cat #: 38377 Model/Part #: P-8- 7707	1	"(#1)3PDT,110-120V (200 & 230V ONLY)"
K-1	CONTACTOR Cat #: 38394 Model/Part #: P-8- 7737	1	"(#1)3PDT,110-120V (460 & 575V ONLY)"
K-1	CONTACTOR Cat #: 38267 Model/Part #: P-8- 7738	1	"(#1)3PDT,208-240V(INTL ONLY)"
K-2	CONTACTOR-COMPR Cat #: 38377 Model/Part #: P-8- 7707	1	"(#2)3PDT,110-120V (200 & 230V ONLY)"
K-2	CONTACTOR Cat #: 38394 Model/Part #: P-8- 7737	1	"(#2)3PDT,110-120V (460 & 575V ONLY)"

Callout	Name	Quantity	Description
K-2	CONTACTOR Cat #: 38267 Model/Part #: P-8-7738	1	"(#2)3PDT,208-240V(INTL ONLY)"
K-3	CONTACTOR-3PDT Cat #: 10G19 Model/Part #: 10G1901	1	"BLOWER-3PDT,24V"
K-46	RELAY Cat #: 20G53 Model/Part #: 20G5301	1	"BLOWER-SPDT,24V"
K-66	RELAY Cat #: 20G53 Model/Part #: 20G5301	1	"STG 1 COOLING-SPDT,24V"
K-67	RELAY Cat #: 20G53 Model/Part #: 20G5301	1	"STG 2 COOLING-SPDT,24V"
K-9	RELAY Cat #: 20G52 Model/Part #: 20G5201	1	"HEAT-DPDT,24V"
K52	RELAY Cat #: 13H78 Model/Part #: 13H7801	1	"DPDT,24V"
S-3	THERMOSTAT Cat #: 68523 Model/Part #: P-8-6384	1	"LOW,COMP #1"
S-30	THERMOSTAT Cat #: 68523 Model/Part #: P-8-6384	1	"LOW,COMP #2"
T-1	TRANSFORMER Cat #: 65G49 Model/Part #: 65G4901	1	"CONTROL-208/230VPRI,24VSEC,70VA,W/FUSE"
T-1	TRANSFORMER Cat #: 99C10 Model/Part #: 99C1001	1	"CONTROL-240VPRI,24VSEC,50VA,NO FUSE(IN
T-8	TRANSFORMER Cat #: 68537 Model/Part #: P-8-5859	1	"208/230VPRI,115VSEC,350VA,NO FUSE(200,
TB-1	BLOCK-TERMINAL Cat #: 48G11 Model/Part #: 48G1101	1	STRIP, TERMINAL
TBA	BLOCK-TERMINAL	1	BLOCK-TERMINAL

Callout	Name	Quantity	Description
	Cat #: 38916 Model/Part #: P-8-8928		
TBB	BLOCK-TERMINAL Cat #: 12B87 Model/Part #: 12B8701	1	BLOCK, TERMINAL

## COOLING PARTS

Callout	Name	Quantity	Description
	HEATER-CRANKCASEINTERNAL(FOOTNOTE 1) Cat #: Model/Part #:	2	
	TRANSFORMER Cat #: 19F57 Model/Part #: 19F5701	1	"(T1)380/400/416VPRI,215VSEC, 500VA,NO F
	MOUNT PKG-COMP Cat #: 32G30 Model/Part #: 32G3001PR	2	MOUNT PKG-COMP
	HEATER-RELAY Cat #: 40A90 Model/Part #: 40A9001	3	"(230V,7.5HP ONLY)"
	HEATER-CRANKCASE Cat #: 48G87 Model/Part #: 48G8701	2	LEN COMP-EXTERNAL (200-230V ONLY)
	HEATER-CRANKCASE Cat #: 48G88 Model/Part #: 48G8801	2	LEN COMP-EXTERNAL (460V & 380-420V ONLY)
	HEATER-CRANKCASE Cat #: 48G89 Model/Part #: 48G8901	2	LEN COMP-EXTERNAL (575V ONLY)
	SHIELD-RAIN Cat #: 53F18 Model/Part #: 53F1801	1	"BLACK,7-1/2""DIA, 5/8""BORE (USED WITH
	TRANSFORMER Cat #: 55C17 Model/Part #: 55C1701	1	"(T1)240/480VPRI,120/240VSEC, 500VA,NO F

<b>Callout</b>	<b>Name</b>	<b>Quantity</b>	<b>Description</b>
	TRANSFORMER Cat #: 55C18 Model/Part #: 55C1801	1	"(T1)600VPRI,120/240VSEC,500VA NO FUSE(5
	CLIP Cat #: 62A60 Model/Part #: 62A6001	2	THERMOSTAT
	DRIER Cat #: 70C11 Model/Part #: 70C1101	2	SUCTION LINE
	PAN-DRAIN Cat #: 82H18 Model/Part #: LB- 39518CC	1	INDOOR COIL
	BRACKET Cat #: LB-49837CA Model/Part #: LB-49837CA	1	TRANSFORMER
	BOOT-THERMOSTAT Cat #: 87099 Model/Part #: P-8- 10639	2	CONNECTOR
	RELAY-OVERLOAD Cat #: 87391 Model/Part #: P-8- 10975	1	(S3)3 POLE(7.5HP ONLY)
	HEATER-RELAY Cat #: 87393 Model/Part #: P-8- 10982	3	"(460V,7.5HP ONLY)"
	HEATER-RELAY Cat #: 82A14 Model/Part #: P-8- 10987	3	"(200V,7.5HP ONLY)"
	CAP-SEAL Cat #: 66817 Model/Part #: P-8- 1401	7	FITTING-PRESSURE TAP
	VALVE CORE Cat #: 66820 Model/Part #: P-8- 1897	2	FOR P-8-7867 VALVE
	CAP-SEAL Cat #: 58114 Model/Part #: P-8- 3187	4	CAP, BRASS

Callout	Name	Quantity	Description
	BOOT CAPACITOR Cat #: 37815 Model/Part #: P-8-878	2	BOOT, CAPACITOR
02-JAN	COIL-OUTDOOR Cat #: 68F37 Model/Part #: LB-39684CA	2	W/MANIFOLD
04-MAR	COIL-INDOOR Cat #: 38G68 Model/Part #: LB-39499CA	2	W/MANIFOLD
07-JUN	VALVE-EXPANSION Cat #: 70C53 Model/Part #: 70C5301	2	VALVE-EXP
8	DISTRIBUTOR ASSY Cat #: 14H28 Model/Part #: LB-61803CD	1	1ST STAGE
9	DISTRIBUTOR ASSY Cat #: 14H29 Model/Part #: LB-61803CE	1	2ND STAGE
11-OCT	DRIER Cat #: 12L74 Model/Part #: 12L7401	2	LIQUID LINE FILTER
13/14	VALVE-SERVICE Cat #: 67097 Model/Part #: P-8-2483	2	"LIQUID,5/8""
16/17	VALVE-SERVICE Cat #: 38137 Model/Part #: P-8-7867	2	"DISCHARGE,7/8""
19/20	THERMOSTAT Cat #: 46F96 Model/Part #: 46F9601	2	(S4/S5)
37/38	MOTOR-FAN Cat #: 16F21 Model/Part #: 16F2101	2	"1HP,900RPM,380-420/50/1 (INTL ONLY)"
37/38	MOTOR-FAN Cat #: 88C73 Model/Part #: 88C7301	2	"1HP,1080RPM,460/60/1, W/BLACK,7-1/2"" R

Callout	Name	Quantity	Description
37/38	MOTOR-FAN Cat #: 88C74 Model/Part #: 88C7401	2	"1HP,1080RPM,230/60/1"
37/38	MOTOR-FAN Cat #: 88C75 Model/Part #: 88C7501	2	"1HP,1080RPM,200/60/1"
37/38	MOTOR-FAN Cat #: 88C76 Model/Part #: 88C7601	2	"1HP,1080RPM,575/60/1 W/BLACK,7-1/2"" RA
40/41	MOUNT-MOTOR Cat #: 70C25 Model/Part #: 70C2501	2	MOTOR FRAME-26IN
43/44	SHIELD-RAIN Cat #: 32621 Model/Part #: P-8- 6142	2	"(INTL ONLY)WHITE,3-1/2""DIA, 1/2""BORE"
43/44	SHIELD-RAIN Cat #: 60814 Model/Part #: P-8- 6148	2	"WHITE,3-1/2""DIA, 5/8""BORE"
46/47	FAN Cat #: 22F54 Model/Part #: 22F5401	2	"1/2""BORE,26""DIA,5 BLADE (INTL ONLY)"
46/47	FAN Cat #: 87321 Model/Part #: P-8- 10546	2	"5/8""BORE,26""DIA,5 BLADE"
50	LOCKNUT Cat #: P-8-4977 Model/Part #: P-8-4977	12	FRAME SECURING
51/52	COMPRESSOR Cat #: 60L06 Model/Part #: 33F6501	2	"10-1/3TON,380-420/50/3,LEN (INTL UNITS)
51/52	COMPRESSOR Cat #: 60L05 Model/Part #: 33F6601	2	"10-1/3TON,200-230/60/3,LEN"
51/52	COMPRESSOR Cat #: 60L07 Model/Part #: 33F6701	2	"10-1/3TON,575/60/3,LEN"

Callout	Name	Quantity	Description
51/52A	COMPRESSOR Cat #: 60L06 Model/Part #: 33F6501	2	"10-1/3TON,460/60/3,LEN"
53/54	SWITCH-LO PRESS Cat #: 85C23 Model/Part #: 85C2301	2	"CUTOUT 25PSIG,CUTIN 55PSIG"
55/56	SWITCH-HI PRESS Cat #: 85C87 Model/Part #: 85C8701	2	CUTOUT 410PSIG
C1/C2	CAPACITOR-FAN MTR Cat #: 53H06 Model/Part #: 96C4301	2	"15MFD,370VAC UNITS(460V & 575V UNITS)"
C1/C2	CAPACITOR-FAN MTR Cat #: 96C44 Model/Part #: 96C4401	2	"20MFD,370VAC(INTL ONLY)"
C1/C2	CAPACITOR-RUN Cat #: 96C46 Model/Part #: 96C4601	2	"30MFD,370VAC(200V UNITS)"

## HOT WATER HEAT CONTROL PARTS

Callout	Name	Quantity	Description
	TRANSFORMER Cat #: 13H28 Model/Part #: 75A7901	1	"(T6)208/230VPRI,24VSEC,50VA W/FUSE"
	FUSE Cat #: 99C09 Model/Part #: 99C0901	1	FUSE@
	TRANSFORMER Cat #: 99C10 Model/Part #: 99C1001	1	"(T6)240VPRI,24VSEC,50VA NO FUSE (INTL O
	HOLDER-FUSE Cat #: 99C32 Model/Part #: 99C3201	1	(INTL ONLY)
	RELAY Cat #: 87201 Model/Part #: P-8- 10734	1	"(K-21)DPDT,24V"

Callout	Name	Quantity	Description
	FUSE Cat #: 66247 Model/Part #: P-8-1674	1	"TRANSF,C TYPE,2.5AMP,250V"
S-17	THERMOSTAT Cat #: 37723 Model/Part #: P-8-8182	1	THERMOSTAT

## HOT WATER HEAT PARTS

Callout	Name	Quantity	Description
	PANEL Cat #: 36F84 Model/Part #: LB-39334AB	1	ACCESS
	MULLION Cat #: 32H52 Model/Part #: LB-49080CA	1	LEFT FROM ACCESS PANEL
	ADAPTER Cat #: P-8-8672 Model/Part #: P-8-8672	3	"1-5/8" "--1-1/2" ""
4	COIL-HOT WATER Cat #: 73G24 Model/Part #: LB-49405CA	1	W/MANIFOLD
6	PAN-DRAIN Cat #: 73G23 Model/Part #: LB-49358CA	1	PAN-HOT WATER S.A.
8	MOTOR-VALVE Cat #: 50C7501 Model/Part #: 50C7501	1	"24V,SPRING RETURN(FOOTNOTE 2)"
9	LINKAGE-VALVE Cat #: 38615 Model/Part #: P-8-9571	1	LINKAGE-VALVE
11	VALVE-WATER Cat #: 37866 Model/Part #: P-8-4419	1	"1-1/2" ""
12	VALVE-WATER Cat #: 87359 Model/Part #: P-8-11033	1	"1/4" ""
13	VALVE-WATER Cat #: 87354 Model/Part #: P-8-10380	1	"1-1/2" ""

**Note:**

Note 1: SEE FIELD REPLACEMENT CRANKCASE HEATER CHART ON CRL CARD. Note 2: MOTOR VALVE 50C7501 IS NOT AVAILABLE. ORDER HOT WATER HEAT KIT LB-59617CA. IF HOT WATER HEAT KIT HAS BEEN INSTALLED REPLACE MOTOR VALVE WITH 81G6401.