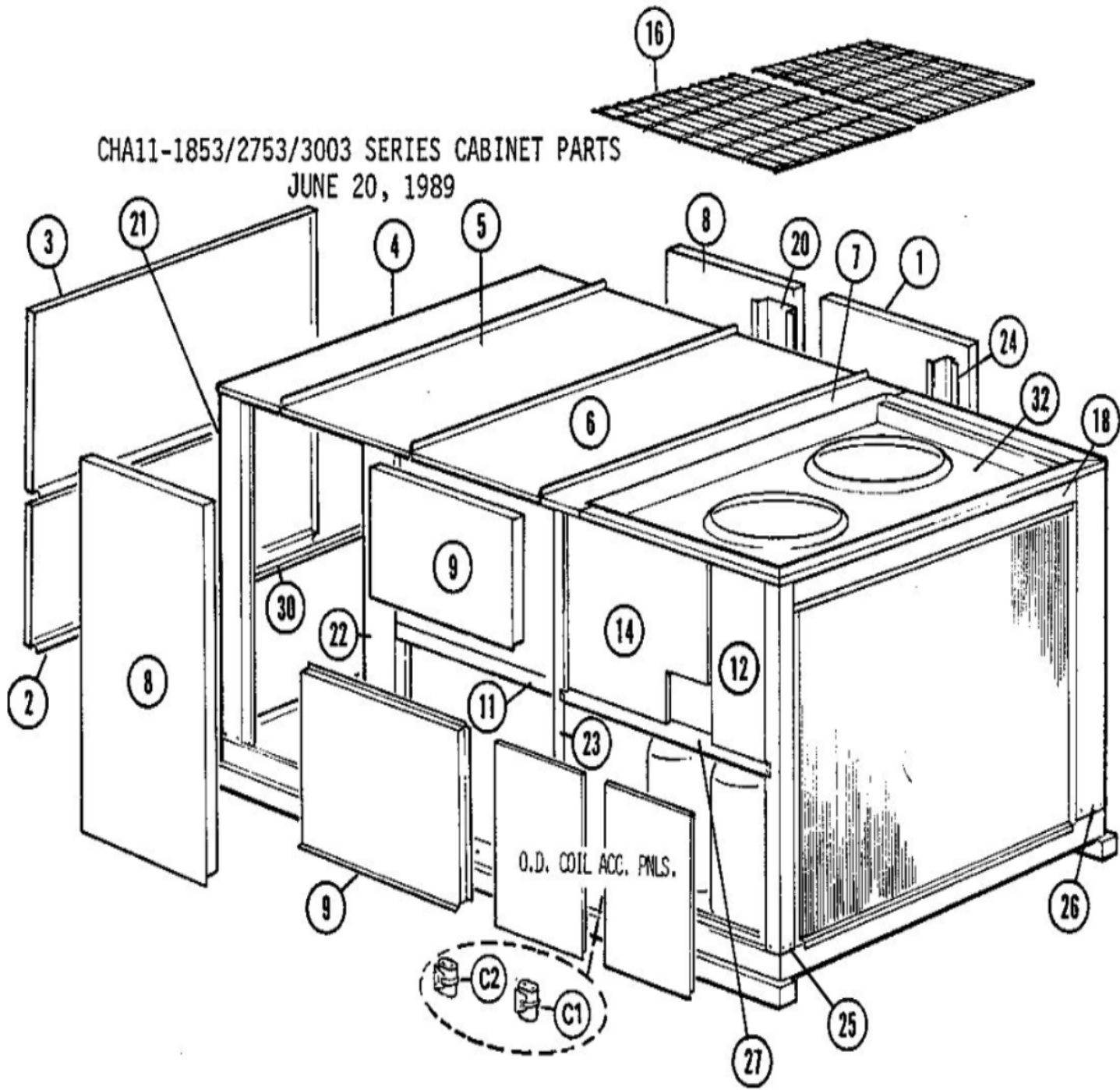
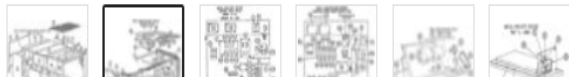
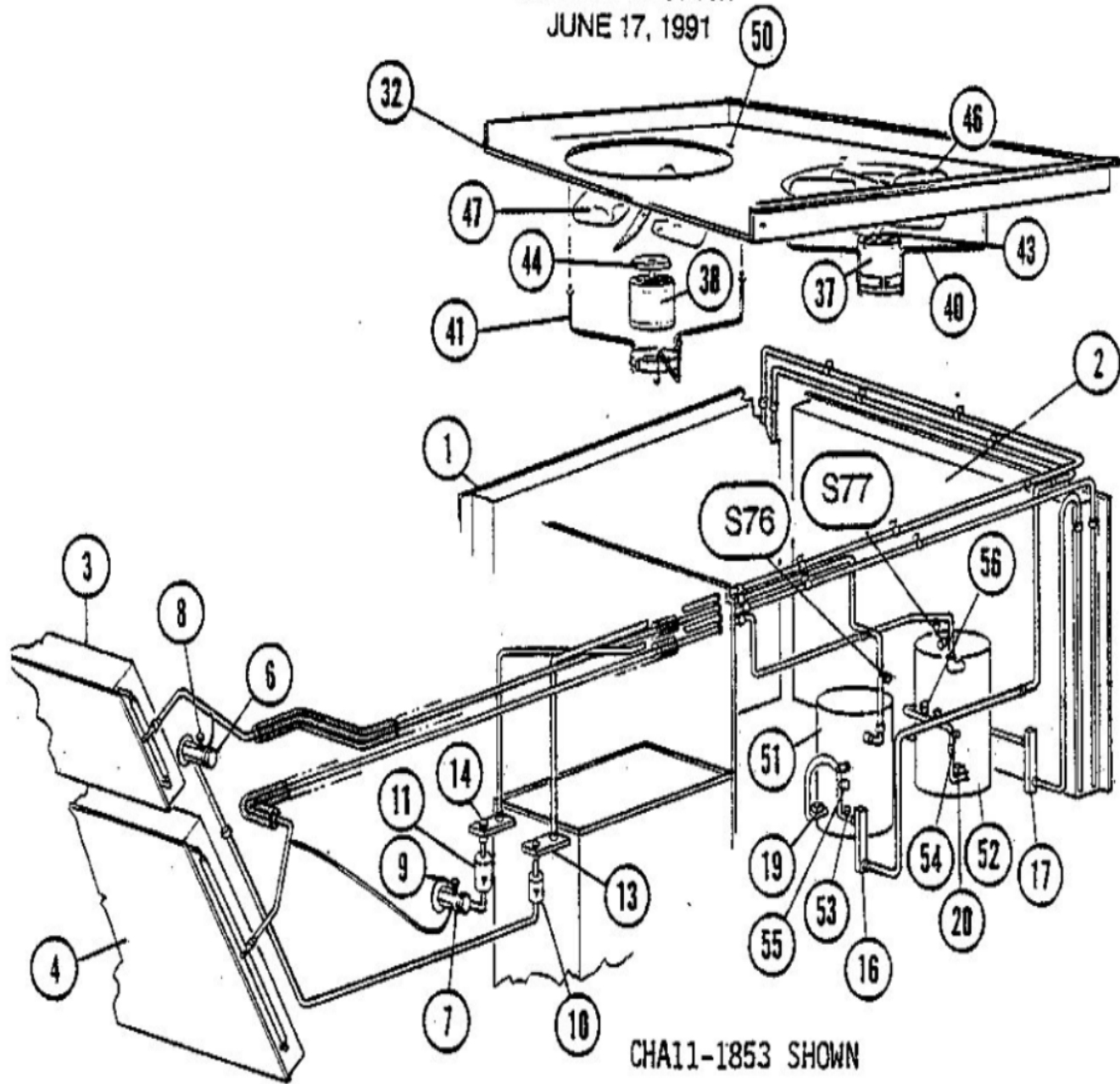


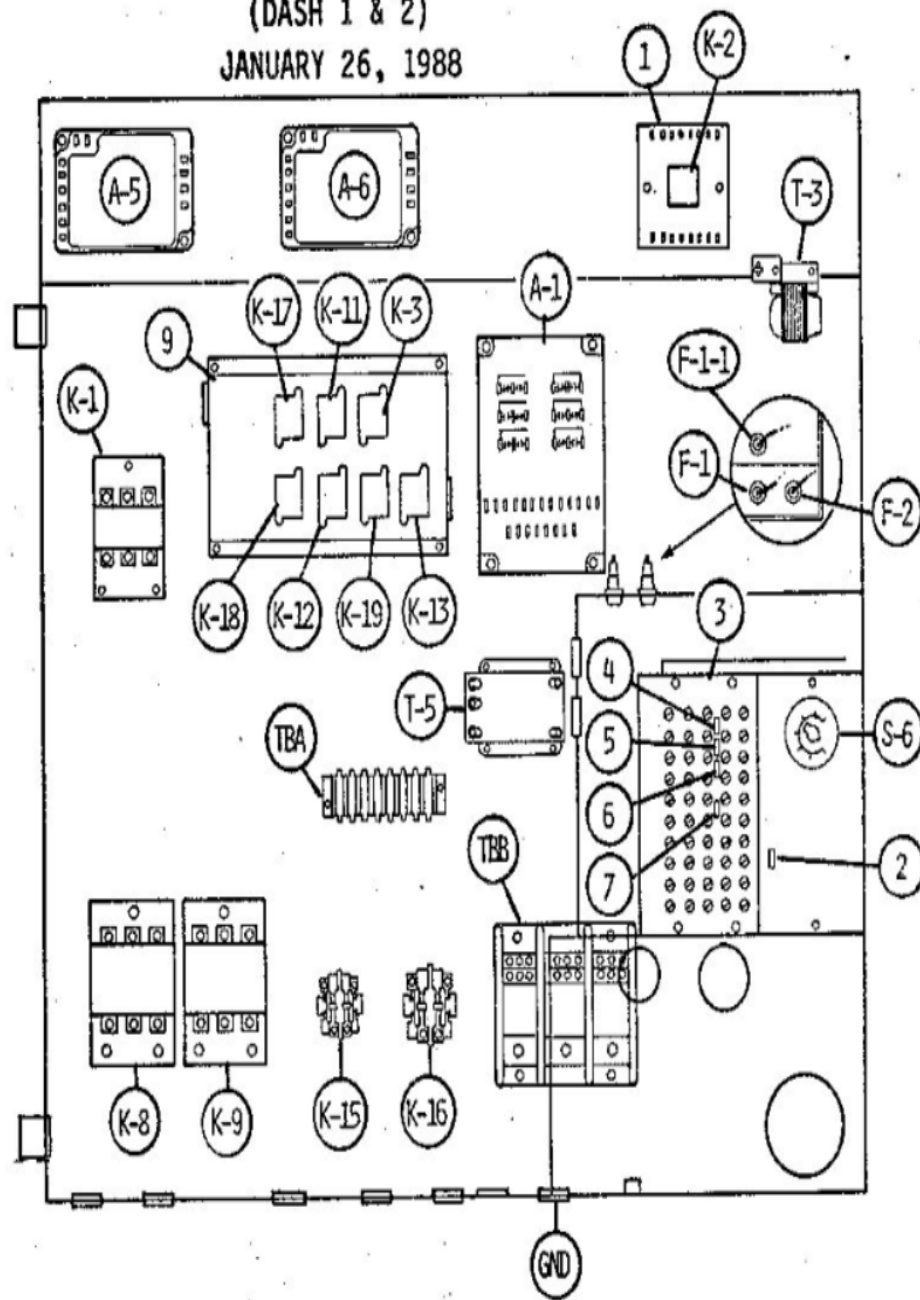
CHA11-1853/2753/3003 SERIES CABINET PARTS
JUNE 20, 1989



CHA11-1853/2753/3003 SERIES
COOLING SECTION
JUNE 17, 1991



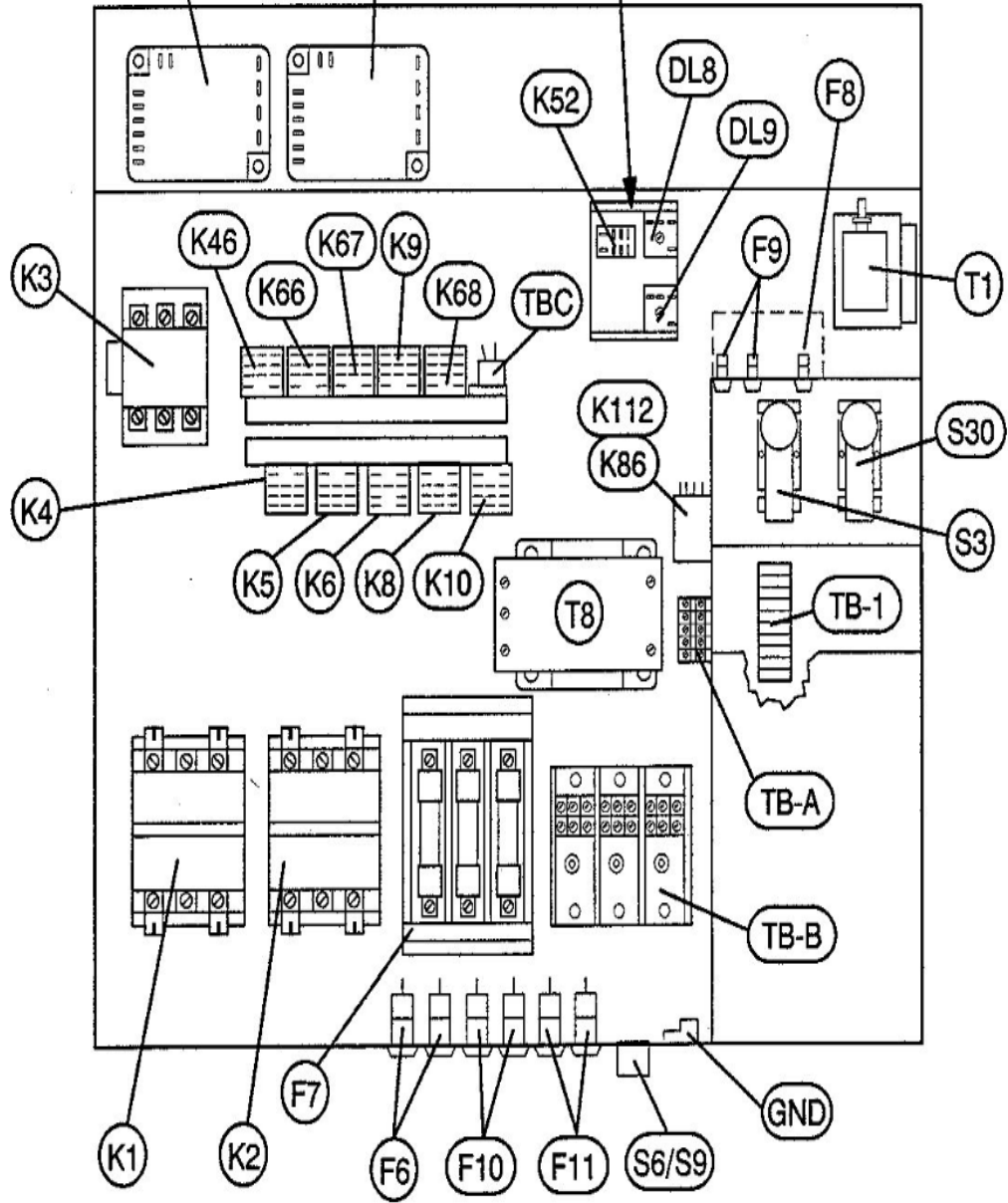
CHA11-1853/2753 SERIES
CONTROL PANEL PARTS
(DASH 1 & 2)
JANUARY 26, 1988



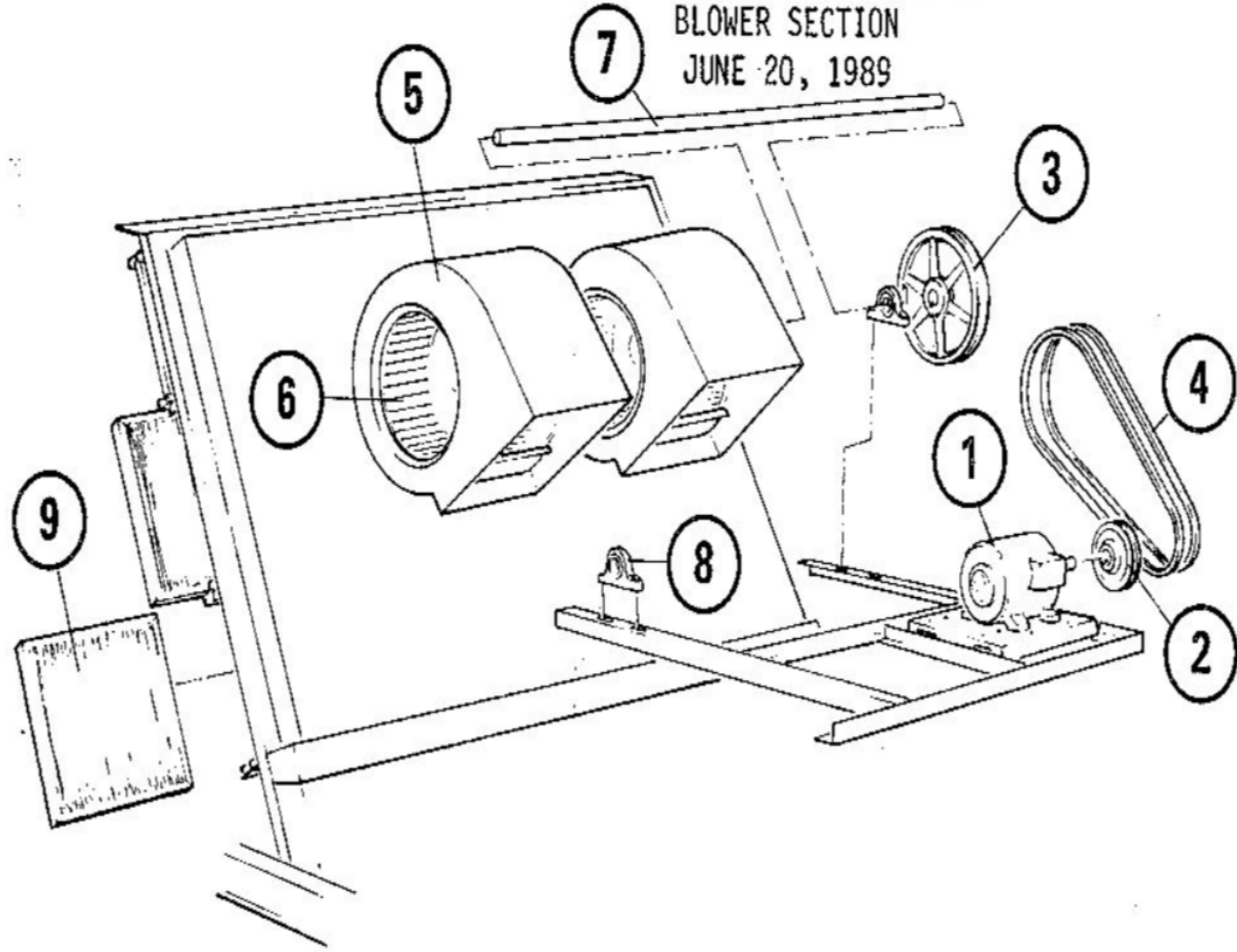
CHA11-1853/2753/3003 SERIES CONTROL PANEL PARTS (DASH 5 ON)

A9
MAY 26, 1992
A10

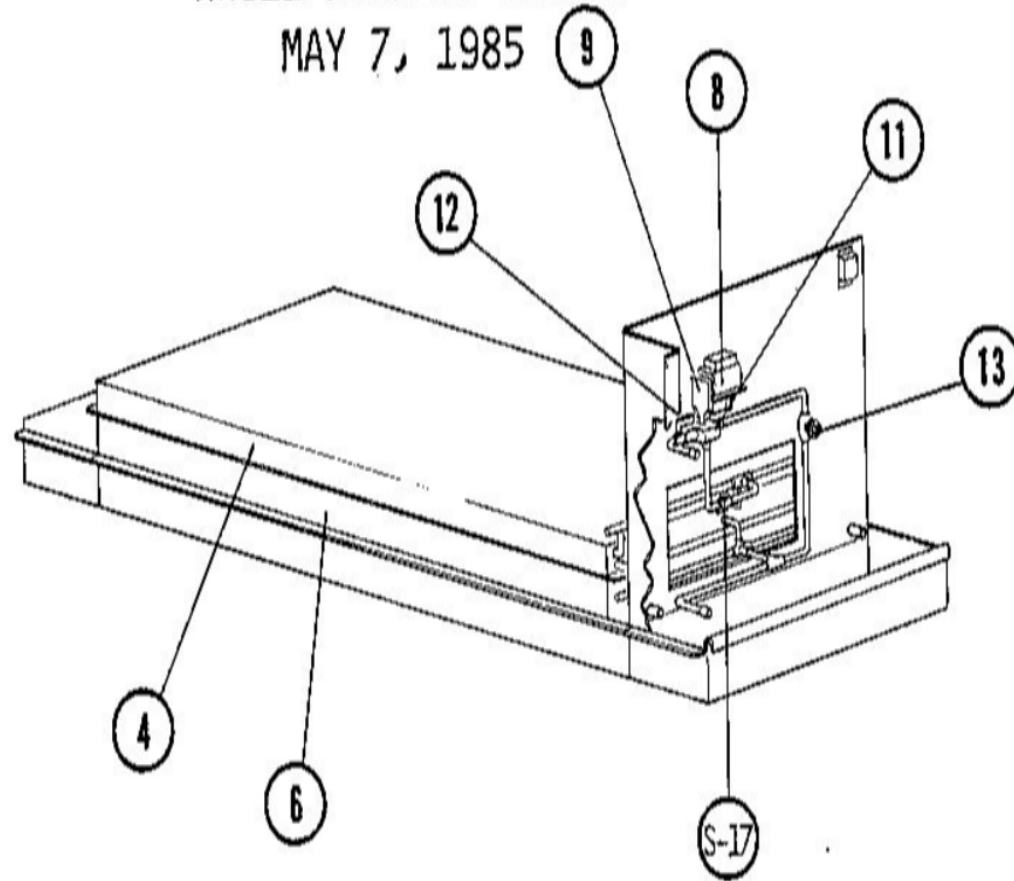
Standard Units Only
2753/3003



CHA11-1853/2753/3003 SERIES
BLOWER SECTION
JUNE 20, 1989



HWC11-185/275 SERIES
MAY 7, 1985



Revision Number - 2

*OPTIONAL PARTS-FIELD INSTALLED

Callout	Name	Quantity	Description
	CAPACITOR Cat #: 12F47 Model/Part #: 12F4701	1	"6.8MFD,25VAC"
	PANEL-STATUS Cat #: 12F83 Model/Part #: 12F8301	1	SP11
	PANEL-STATUS Cat #: 12F84 Model/Part #: 12F8401	1	SSP11 SWITCHING
	THERMOSTAT Cat #: 13F06 Model/Part #: 13F0601	1	THERMOSTAT
	THERMOSTAT Cat #: 13F12 Model/Part #: 13F1201	1	THERMOSTAT
	SUBBASE Cat #: 13F16 Model/Part #: 13F1601	1	NON SWITCHING
	SUBBASE Cat #: 13F17 Model/Part #: 13F1701	1	SWITCHING
	SUBBASE Cat #: 13H76 Model/Part #: 13H7601	1	SWITCHING
	RELAY Cat #: 13H78 Model/Part #: 13H7801	1	"DPDT,24V"
	RELAY Cat #: 20G53 Model/Part #: 20G5301	1	RELAY
	RELAY Cat #: 24C41 Model/Part #: 24C4101	1	24V
	TRANSMITTER Cat #: 25C51 Model/Part #:	1	REMOTE

Callout	Name	Quantity	Description
	25C5101		
	THERMOSTAT Cat #: 25C52 Model/Part #: 25C5201	1	REMOTE
	SENSOR Cat #: 27C40 Model/Part #: 27C4001	1	REMOTE
	BLOCK-TERMINAL Cat #: 36G40 Model/Part #: 36G4001	23	BLOCK-TERMINAL
	THERMOSTAT Cat #: 36G62 Model/Part #: 36G6201	1	ROOM
	THERMOSTAT Cat #: 36G64 Model/Part #: 36G6401	1	REMOTE
	THERMOSTAT Cat #: 36G67 Model/Part #: 36G6701	1	T5010 PRO STAT
	SENSOR Cat #: 38G6801 Model/Part #: 38G6801	1	REMOTE
	THERMOSTAT Cat #: 43C78 Model/Part #: 43C7801	1	THERMOSTAT
	RELAY Cat #: 36G37 Model/Part #: 43G0601	1	"4PDT,24V"
	RELAY Cat #: 43G49 Model/Part #: 43G4901	5	"DPDT,24V"
	RESISTOR Cat #: 43G6601 Model/Part #: 43G6601	1	523 OHMS
	RESISTOR Cat #: 43G6701 Model/Part #:	1	17.8K OHMS

Callout	Name	Quantity	Description
	43G6701		
	RESISTOR Cat #: 43G7101 Model/Part #: 43G7101	1	150 OHMS
	CLOCK-TIME Cat #: 43G98 Model/Part #: 43G9801	1	7 DAY
	CLOCK-TIME Cat #: 43G99 Model/Part #: 43G9901	1	24 HR
	RELAY Cat #: 43G49 Model/Part #: 54G4501	1	"DPDT,24V"
	POETNTIOMETER Cat #: 54G5601 Model/Part #: 54G5601	1	2K OHMS
	RELAY-DELAY Cat #: 54G57 Model/Part #: 54G5701	2	24V
	RESISTOR Cat #: 54G5801 Model/Part #: 54G5801	1	90.9 OHMS
	RESISTOR Cat #: 54G5901 Model/Part #: 54G5901	1	100 OHMS
	RESISTOR Cat #: 54G6001 Model/Part #: 54G6001	1	182 OHMS
	RESISTOR Cat #: 54G6101 Model/Part #: 54G6101	1	681 OHMS
	RESISTOR Cat #: 54G6201 Model/Part #: 54G6201	1	806 OHMS
	SENSOR Cat #: 58C92 Model/Part #:	1	WALL MOUNT

Callout	Name	Quantity	Description
	58C9201		
	SUBBASE Cat #: 58C93 Model/Part #: 58C9301	1	SWITCHING-REMOTE
	SWITCH-LO PRESS Cat #: 58H53 Model/Part #: 58H5301	1	(SUCTION LINE)
	VALVE-SOLENOID Cat #: 58H54 Model/Part #: 58H5401	1	(LIQUID LINE)
	TIME DELAY Cat #: 65G70 Model/Part #: 65G7001	1	24V
	TIME DELAY Cat #: 76C85 Model/Part #: 76C8501	1	"SPDT,24V"
	THERMOSTAT Cat #: 81G59 Model/Part #: 81G5901	1	T7300
	SUBBASE Cat #: 81G60 Model/Part #: 81G6001	1	SWITCHING
	SENSOR Cat #: 86G67 Model/Part #: 86G6701	1	ROOM TEMP W/OVERRIDE
	TRANSFORMER Cat #: 94C79 Model/Part #: 94C7901	1	"600VPRI,120/240VSPC,1500VA NO FUSE"
	BOARD-CIRCUIT Cat #: LB-49389BA Model/Part #: LB-49389BA	1	BOARD-CIRCUIT
	HARNESS-WIRING Cat #: LB-57275C Model/Part #: LB-57275C	1	HARNESS-WIRING
	SWITCH-PRESS Cat #: 38912 Model/Part #: P-8-	1	".02""W.C. TO 2""W.C."

Callout	Name	Quantity	Description
	10321		
	TEE Cat #: 87071 Model/Part #: P-8-10569	1	SCHRADER DEPRESSOR
	DRIER Cat #: 87327 Model/Part #: P-8-10808	1	DRIER, R22 ONLY
	NUT Cat #: 59498 Model/Part #: P-8-1218	2	FLARE
	CAP-SEAL Cat #: 66817 Model/Part #: P-8-1401	1	FITTING-PRESSURE TAP
	VALVE CORE Cat #: 66820 Model/Part #: P-8-1897	1	VALVE, CORE 8075910047
	KNOB-DIAL Cat #: 6882 Model/Part #: P-8-3096	1	FOR THERMOSTAT
	CAP-SEAL Cat #: 58114 Model/Part #: P-8-3187	1	CAP, BRASS
	FITTING Cat #: 59784 Model/Part #: P-8-4934	2	STRAIN RELIEF
	SWITCH-LO PRESS Cat #: 68493 Model/Part #: P-8-6383	1	"IN 285PSIG,OUT 140PSIG"
	THERMOSTAT Cat #: 68523 Model/Part #: P-8-6384	2	LOW AMBIENT

BLOWER PARTS

Callout	Name	Quantity	Description
	MOUNT	5	"RUBBER-BLOWER

Callout	Name	Quantity	Description
	Cat #: 76784 Model/Part #: LB-25552D		FRAME,2""
	PLATE-CUTOFF Cat #: 21803 Model/Part #: LB-4279	2	CUT OFF PLATE (6 pcs blk)
	SPACER Cat #: 62F11 Model/Part #: LB-44102D	2	BEARING
	KEY Cat #: 86479 Model/Part #: P-8-5881	2	WOODRUFF
	KEY Cat #: 60800 Model/Part #: P-8-5882	1	KEY
1	MOTOR-BLOWER Cat #: 49A45 Model/Part #: 49A4501	1	"5HP,1500RPM,230-400/50/3"
1	MOTOR-BLOWER Cat #: 67F36 Model/Part #: P-8-11298	1	"7-1/2HP,1500RPM,230-400/50/3"
1	MOTOR-BLOWER Cat #: 32650 Model/Part #: P-8-5697	1	"5HP,1725RPM,200-208/60/3"
1	MOTOR-BLOWER Cat #: 32619 Model/Part #: P-8-5699	1	"5HP,1725RPM,230-460/60/3"
1	MOTOR-BLOWER Cat #: 32651 Model/Part #: P-8-5702	1	"5HP,1725RPM,575/60/3"
1	MOTOR-BLOWER Cat #: 32652 Model/Part #: P-8-5704	1	"7-1/2HP,1725RPM,200-208/60/3"
1	MOTOR-BLOWER Cat #: 32653 Model/Part #: P-8-5705	1	"7-1/2HP,1725RPM,230-460/60/3"
1	MOTOR-BLOWER Cat #: 32654 Model/Part #: P-8-5707	1	"7-1/2HP,1725RPM,575/60/3"
2	PULLEY-MOTOR Cat #: 56938 Model/Part #: P-8-1496	1	"(5HP)1-1/8""BORE,6""DIA,A-BSECT"
2	PULLEY-MOTOR Cat #: 57526 Model/Part #: P-8-3026	1	"1-1/8""BORE,5-3/8""OD, B SEC (OPTIONAL)
2	PULLEY-MOTOR Cat #: P-8-6313 Model/Part #: P-8-6313	1	"(7-1/2HP)1-3/8""BORE,7.5""DIA B SECTION

Callout	Name	Quantity	Description
2	PULLEY-MOTOR Cat #: 21612 Model/Part #: P-8-6314	1	"(7-1/2HP),1-3/8" BORE,6.5" DIA, B SECTI
3	PULLEY-BLOWER Cat #: 32560 Model/Part #: P-8-5123	1	"1-7/16" BORE,10.4" DIA,A-B SEC"
3	PULLEY-BLOWER Cat #: 67F37 Model/Part #: P-8-9599	1	"1-7/16" BORE,9-3/4" DIA,A-B SEC (INTL O
4	BELT Cat #: 21633 Model/Part #: P-8-4387	2	"81.3" LENGTH, A SECTION"
4	BELT Cat #: 21640 Model/Part #: P-8-4389	2	"69.3" LENGTH,A SECT(INTL ONLY)"
5	HOUSING-BLOWER Cat #: 12H74 Model/Part #: LB-39188CB	2	BLOWER S.A.
6	WHEEL-BLOWER Cat #: 85L53 Model/Part #: P-5-119	2	"1-7/16" BORE, 15" X15"
7	SHAFT-BLOWER Cat #: 23G89 Model/Part #: LB-50287C	1	"1-7/16" DIA,49-5/8" LONG"
8	BEARING Cat #: 32332 Model/Part #: P-5-116	2	"1-7/16" BORE,BALL"
9	FILTER-AIR Cat #: 65C1201 Model/Part #: 65C1201	11	"16" X 20" X 1",SLAB(CGN)"
9	FILTER-AIR Cat #: P-8-4586 Model/Part #: P-8-4586	11	"16" X20" X3/4",SLAB"

CABINET PARTS

Callout	Name	Quantity	Description
	PANEL-TOP Cat #: 68G70 Model/Part #: LB-39313C	2	LINER
	SEAL Cat #: 21G19 Model/Part #: LB-39398C	1	O.D.COIL SECT TOP(SIDE)
	ANGLE Cat #: 92G53 Model/Part #: LB-45984D	1	SUPPORT FOR LB-50913C

Callout	Name	Quantity	Description
	PANEL Cat #: 15G92 Model/Part #: LB-49085C	1	O.D.COIL SECT ACCESS(LEFT)
	PANEL Cat #: 15G93 Model/Part #: LB-49087C	1	O.D.COIL SECT ACCESS(RIGHT)
1	PANEL Cat #: 68F49 Model/Part #: LB-39334AA	1	ACCESS
2	PANEL Cat #: 88F83 Model/Part #: LB-39333AD	1	ACCESS
3	PANEL Cat #: 88F82 Model/Part #: LB-39333AC	1	ACCESS
05- APR	PANEL-TOP Cat #: 32G81 Model/Part #: LB-50912B	1	ONE PIECE
07- JUN	PANEL-TOP Cat #: 68G36 Model/Part #: LB-50913C	1	TOP PANEL #3
8	PANEL Cat #: 68F50 Model/Part #: LB-39334AC	2	ACCESS
9	PANEL Cat #: 12G87 Model/Part #: LB-39334AD	2	ACCESS
11	PANEL Cat #: 49H59 Model/Part #: LB-49092BA	1	FILLER
12	PANEL Cat #: 26G08 Model/Part #: LB-39344C	1	FILLER-OUTDOOR COIL SECTION
14	COVER-CONTROL BOX Cat #: 68G19 Model/Part #: LB-39589BA	1	COVER-CONTROL BOX
16	GUARD-FAN Cat #: 72C8901 Model/Part #: 72C8901	1	GUARD-FAN
18	SEAL Cat #: 21G19 Model/Part #: LB-39398C	1	O.D.COIL SECT TOP(SIDE)
20	MULLION Cat #: 40G92 Model/Part #: LB-39366BC	1	REAR
21	MULLION Cat #: 88F84 Model/Part #: LB-39365BA	2	CORNER (FRONT REAR)
22	MULLION	1	FRONT

Callout	Name	Quantity	Description
	Cat #: 40G92 Model/Part #: LB-39366BC		
23	MULLION Cat #: 20H40 Model/Part #: LB-48970CA	1	FRONT
24	MULLION Cat #: LB-39377C Model/Part #: LB-39377C	1	REAR
25	MULLION Cat #: 26G09 Model/Part #: LB-39375C	1	FRONT-OUTDOOR COIL SECTION
26	MULLION Cat #: 95G57 Model/Part #: LB-39376C	1	REAR-OUTDOOR COIL SECTION
27	MULLION Cat #: LB-39363CB Model/Part #: LB-39363CB	1	HORIZONTAL
30	MULLION Cat #: 88F85 Model/Part #: LB-39378C	1	HORIZONTAL
32	PANEL Cat #: 36H00 Model/Part #: LB-39409BA	1	ORIFICE

CONTROL PANEL PARTS

Callout	Name	Quantity	Description
	RELAY Cat #: 51C21 Model/Part #: 11G4901	1	(K-23)VOLT CONTROL(CANADIAN UNITS ONLY)
	CLIP Cat #: 67C0601 Model/Part #: 67C0601	1	FOR K2 RELAY(EARLY PROD)
	SOCKET Cat #: 74C30 Model/Part #: 74C3001	7	RELAY
	BLOCK-FUSE Cat #: 84F49 Model/Part #: 84F4901	1	F10(460V-U.S. ONLY)
	FUSE Cat #: 84F50 Model/Part #: 84F5001	1	"FNQ TYPE,2.5AMP,500V (460V-U.S. ONLY)"
	FUSE Cat #: 91C86 Model/Part #: 91C8601	1	"TYPE MDA,2-1/2AMP,250V (FOR P-8-6237 FU

Callout	Name	Quantity	Description
	CARRIER-FUSE Cat #: 96C77 Model/Part #: 96C7701	2	(INTL ONLY)
	FUSE Cat #: 99C09 Model/Part #: 99C0901	1	"TYPE GMA,3.15AMP,250V(FOR 96C7601 HOLDE
	GASKET Cat #: 77C11 Model/Part #: LB- 38174D	1	BASE FOR LB-49983D GASKET (EARLY PROD)
	BRACKET Cat #: LB-45973C Model/Part #: LB- 45973C	1	TRANSFORMER
	GASKET Cat #: LB-49983D Model/Part #: LB- 49983D	1	FOR 1 RELAY SOCKET (EARLY PROD)
	BUSHING-SNAP Cat #: 68H30 Model/Part #: P-8- 10765	2	"5/8""I.D. FOR 7/8""OPENING"
	FUSE Cat #: 66247 Model/Part #: P-8-1674	1	"TRANSF-TYPE C,2.5AMP,250V"
	KNOB-DIAL Cat #: 6882 Model/Part #: P-8-3096	1	THERMOSTAT
	GROMMET Cat #: 36C66 Model/Part #: P-8- 7324	5	"7/8""I.D. FOR 1- 1/8""OPENING"
1	SOCKET Cat #: 56C5001 Model/Part #: 56C5001	1	FOR K2 RELAY(EARLY PROD)
2	RESISTOR Cat #: 25C84 Model/Part #: 25C8401	1	7.5K OHMS RESISTANCE
3	BLOCK-TERMINAL Cat #: 15C36 Model/Part #: 15C3601	1	BLOCK-TERM
05- APR	RESISTOR Cat #: 12F95 Model/Part #: 12F9501	2	(R5/R6)10K OHMS RESISTANCE
6	RESISTOR Cat #: 25C85 Model/Part #: 25C8501	1	(R1)3.6K OHMS RESISTANCE

Callout	Name	Quantity	Description
7	RESISTOR Cat #: 24C42 Model/Part #: 24C4201	1	(R2)1.2K OHMS RESISTANCE
9	BRACKET Cat #: LB-49323B Model/Part #: LB-49323B	1	RELAY MTG
A-1	PANEL-LOGIC Cat #: 25C55 Model/Part #: 25C5501	1	"SPDT,24VAC,-40F TO +150F"
A-1	PANEL-LOGIC Cat #: 25C57 Model/Part #: 25C5701	1	"SPDT,24VAC,-40F TO +150F (FOR HOT WATER
A-5	RELAY Cat #: 31F31 Model/Part #: 31F3101	1	COMP OVERLOAD#1-240V
A-6	RELAY Cat #: 31F31 Model/Part #: 31F3101	1	COMP OVERLOAD#2-240V
F-1	HOLDER Cat #: 89F02 Model/Part #: 89F0201	1	FUSE, HOLDER
F-1	HOLDER-FUSE Cat #: 96C76 Model/Part #: 96C7601	1	(INTL ONLY)
F-1	HOLDER-FUSE Cat #: 60579 Model/Part #: P-8-6237	1	(CANADIAN ONLY)
F-1-1	HOLDER Cat #: 89F02 Model/Part #: 89F0201	1	(U.S. 200V&230V ONLY)
F-1-1	HOLDER-FUSE Cat #: 60579 Model/Part #: P-8-6237	1	(USED ON 200V&230V UNITS- CANADIAN ONLY)
F-2	HOLDER Cat #: 89F02 Model/Part #: 89F0201	1	FUSE, HOLDER
F-2	HOLDER-FUSE Cat #: 96C76 Model/Part #: 96C7601	1	(INTL ONLY)
F-2	HOLDER-FUSE Cat #: 60579 Model/Part #: P-8-6237	1	(CANADIAN ONLY)
GND	LUG-GROUND Cat #: P-8-7036 Model/Part #: P-8-7036	1	LUG, SOLDERLESS

Callout	Name	Quantity	Description
K-1	CONTACTOR Cat #: 38394 Model/Part #: P-8-7737	1	"BLOWER-3PDT,110-120V"
K-1	CONTACTOR Cat #: 38267 Model/Part #: P-8-7738	1	"BLOWER-3PDT,208-240V(INTL ONLY)"
K-11	RELAY Cat #: 73C7601 Model/Part #: 73C7601	1	"COMP#1-DPDT,24V"
K-12	RELAY Cat #: 73C7601 Model/Part #: 73C7601	1	"COMP#2-DPDT,24V"
K-13	RELAY Cat #: 74C3201 Model/Part #: 74C3201	1	"POWER SAVER-SPDT,24V"
K-15	CONTACTOR Cat #: 18F79 Model/Part #: 18F7901	1	"COND FAN#1-DPDT,110-120V"
K-15	CONTACTOR Cat #: 38267 Model/Part #: P-8-7738	1	"COND FAN#1-3PDT,208-240V (INTL ONLY)"
K-16	CONTACTOR Cat #: 18F79 Model/Part #: 18F7901	1	"COND FAN#2-DPDT,110-120V"
K-16	CONTACTOR Cat #: 38267 Model/Part #: P-8-7738	1	"COND FAN#2-3PDT,208-240V (INTL ONLY)"
K-17	RELAY Cat #: 17F1201 Model/Part #: 17F1201	1	"READ#1-SPDT,120V"
K-17	RELAY Cat #: 31K35 Model/Part #: 74C3101	1	"READ#1-SPDT,240V(INTL ONLY)"
K-18	RELAY Cat #: 17F1201 Model/Part #: 17F1201	1	"READ#2-SPDT,120V"
K-18	RELAY Cat #: 31K35 Model/Part #: 74C3101	1	"READ#2-SPDT,240V(INTL ONLY)"
K-19	RELAY	1	"ELECTRIC HEAT-DPDT,24V"

Callout	Name	Quantity	Description
	Cat #: 73C7601 Model/Part #: 73C7601		
K-3	RELAY Cat #: 73C7601 Model/Part #: 73C7601	1	"BLOWER-DPDT,24V"
K-8	CONTACTOR-COMPR Cat #: 38377 Model/Part #: P-8- 7707	1	"(#1)3PDT,110-120V"
K-8	CONTACTOR Cat #: 38394 Model/Part #: P-8- 7737	1	"(#1)3PDT,110-120V (460V & 575V UNITS ON
K-8	CONTACTOR Cat #: 38267 Model/Part #: P-8- 7738	1	"(#1)3PDT,208-240V(INTL ONLY)"
K-9	CONTACTOR-COMPR Cat #: 38377 Model/Part #: P-8- 7707	1	"(#2)3PDT,110-120V"
K-9	CONTACTOR Cat #: 38394 Model/Part #: P-8- 7737	1	"(#2)3PDT,110-120V (460 & 575V UNITS)"
K-9	CONTACTOR Cat #: 38267 Model/Part #: P-8- 7738	1	"(#2)3PDT,208-240V(INTL ONLY)"
K2	RELAY Cat #: 56C4901 Model/Part #: 56C4901	1	NIGHT-24V(EARLY PROD)
K2	RELAY Cat #: 87F8401 Model/Part #: 87F8401	1	NIGHT-24V(LATE PROD)
S-6	THERMOSTAT Cat #: 43C78 Model/Part #: 43C7801	1	THERMOSTAT
T-3	TRANSFORMER Cat #: 13H28 Model/Part #: 75A7901	1	"208/230VPRI,24VSEC,50VA W/FUSE"
T-3	TRANSFORMER Cat #: 99C10 Model/Part #: 99C1001	1	"240VPRI,24VSEC,50VA, NO FUSE (INTL ONLY
T-5	TRANSFORMER	1	"208/230VPRI,115VSEC,350VA

Callout	Name	Quantity	Description
	Cat #: 68537 Model/Part #: P-8-5859		NO FUSE(60HZ
TBA	BLOCK-TERMINAL Cat #: P-8-8926 Model/Part #: P-8-8926	1	BLOCK-TERMINAL
TBB	BLOCK-TERMINAL Cat #: 12B87 Model/Part #: 12B8701	1	BLOCK, TERMINAL

COOLING PARTS

Callout	Name	Quantity	Description
	HEATER-CRANKCASEINTERNAL(FOOTNOTE 1) Cat #: Model/Part #:	2	
	TRANSFORMER Cat #: 19F57 Model/Part #: 19F5701	1	"(T1)380/400/416VPRI,215VSEC, 500VA,NO F
	SENSOR-AIR Cat #: 26C48 Model/Part #: 26C4801	1	AIR DISCHARGE
	MOUNT PKG-COMP Cat #: 32G30 Model/Part #: 32G3001PR	2	MOUNT PKG-COMP
	HEATER-RELAY Cat #: 40A90 Model/Part #: 40A9001	3	"(230V,7.5HP ONLY)"
	HEATER-CRANKCASE Cat #: 48G87 Model/Part #: 48G8701	2	LEN COMP-EXTERNAL (200-230V ONLY)
	HEATER-CRANKCASE Cat #: 48G88 Model/Part #: 48G8801	2	LEN COMP-EXTERNAL (460V & 380-420V ONLY)
	HEATER-CRANKCASE Cat #: 48G89 Model/Part #: 48G8901	2	LEN COMP-EXTERNAL (575V ONLY)

Callout	Name	Quantity	Description
	SHIELD-RAIN Cat #: 53F18 Model/Part #: 53F1801	1	"BLACK,7-1/2""DIA, 5/8""BORE (USED WITH
	TRANSFORMER Cat #: 55C17 Model/Part #: 55C1701	1	"(T1)240/480VPRI,120/240VSEC, 500VA,NO F
	TRANSFORMER Cat #: 55C18 Model/Part #: 55C1801	1	"(T1)600VPRI,120/240VSEC,500VA NO FUSE(5
	CLIP Cat #: 62A60 Model/Part #: 62A6001	2	THERMOSTAT
	DRIER Cat #: 70C11 Model/Part #: 70C1101	2	SUCTION LINE
	PAN-DRAIN Cat #: 82H18 Model/Part #: LB-39518CC	1	INDOOR COIL
	BRACKET Cat #: LB-49837CA Model/Part #: LB-49837CA	1	TRANSFORMER
	BOOT-THERMOSTAT Cat #: 87099 Model/Part #: P-8-10639	2	CONNECTOR
	RELAY-OVERLOAD Cat #: 87391 Model/Part #: P-8-10975	1	(S3)3 POLE(7.5HP ONLY)
	HEATER-RELAY Cat #: 87393 Model/Part #: P-8-10982	3	"(460V,7.5HP ONLY)"
	HEATER-RELAY Cat #: 82A14 Model/Part #: P-8-10987	3	"(200V,7.5HP ONLY)"
	CAP-SEAL Cat #: 66817 Model/Part #: P-8-1401	7	FITTING-PRESSURE TAP

Callout	Name	Quantity	Description
	VALVE CORE Cat #: 66820 Model/Part #: P-8-1897	2	FOR P-8-7867 VALVE
	CAP-SEAL Cat #: 58114 Model/Part #: P-8-3187	4	CAP, BRASS
	BOOT CAPACITOR Cat #: 37815 Model/Part #: P-8-878	2	BOOT, CAPACITOR
02-JAN	COIL-OUTDOOR Cat #: 68F37 Model/Part #: LB-39684CA	2	W/MANIFOLD
04-MAR	COIL-INDOOR Cat #: 38G68 Model/Part #: LB-39499CA	2	W/MANIFOLD
07-JUN	VALVE-EXPANSION Cat #: 70C53 Model/Part #: 70C5301	2	VALVE-EXP
8	DISTRIBUTOR ASSY Cat #: 14H28 Model/Part #: LB-61803CD	1	1ST STAGE
9	DISTRIBUTOR ASSY Cat #: 14H29 Model/Part #: LB-61803CE	1	2ND STAGE
11-OCT	DRIER Cat #: 12L74 Model/Part #: 12L7401	2	LIQUID LINE FILTER
13/14	VALVE-SERVICE Cat #: 67097 Model/Part #: P-8-2483	2	"LIQUID,5/8""
16/17	VALVE-SERVICE Cat #: 38137 Model/Part #: P-8-7867	2	"DISCHARGE,7/8""
19/20	THERMOSTAT Cat #: 46F96 Model/Part #: 46F9601	2	(S4/S5)

Callout	Name	Quantity	Description
37/38	MOTOR-FAN Cat #: 16F21 Model/Part #: 16F2101	2	"1HP,900RPM,380-420/50/1 (INTL ONLY)"
37/38	MOTOR-FAN Cat #: 88C73 Model/Part #: 88C7301	2	"1HP,1080RPM,460/60/1, W/BLACK,7-1/2"" R
37/38	MOTOR-FAN Cat #: 88C74 Model/Part #: 88C7401	2	"1HP,1080RPM,230/60/1"
37/38	MOTOR-FAN Cat #: 88C75 Model/Part #: 88C7501	2	"1HP,1080RPM,200/60/1"
37/38	MOTOR-FAN Cat #: 88C76 Model/Part #: 88C7601	2	"1HP,1080RPM,575/60/1 W/BLACK,7-1/2"" RA
40/41	MOUNT-MOTOR Cat #: 70C25 Model/Part #: 70C2501	2	MOTOR FRAME-26IN
43/44	SHIELD-RAIN Cat #: 32621 Model/Part #: P-8-6142	2	"(INTL ONLY)WHITE,3-1/2""DIA, 1/2""BORE"
43/44	SHIELD-RAIN Cat #: 60814 Model/Part #: P-8-6148	2	"WHITE,3-1/2""DIA, 5/8""BORE"
46/47	FAN Cat #: 22F54 Model/Part #: 22F5401	2	"1/2""BORE,26""DIA,5 BLADE (INTL ONLY)"
46/47	FAN Cat #: 87321 Model/Part #: P-8-10546	2	"5/8""BORE,26""DIA,5 BLADE"
50	LOCKNUT Cat #: P-8-4977 Model/Part #: P-8-4977	12	FRAME SECURING
51/52	COMPRESSOR Cat #: 60L06 Model/Part #: 33F6501	2	"10-1/3TON,380-420/50/3,LEN (INTL UNITS)

Callout	Name	Quantity	Description
51/52	COMPRESSOR Cat #: 60L05 Model/Part #: 33F6601	2	"10-1/3TON,200-230/60/3,LEN"
51/52	COMPRESSOR Cat #: 60L07 Model/Part #: 33F6701	2	"10-1/3TON,575/60/3,LEN"
51/52A	COMPRESSOR Cat #: 60L06 Model/Part #: 33F6501	2	"10-1/3TON,460/60/3,LEN"
53/54	SWITCH-LO PRESS Cat #: 85C23 Model/Part #: 85C2301	2	"CUTOUT 25PSIG,CUTIN 55PSIG"
55/56	SWITCH-HI PRESS Cat #: 85C87 Model/Part #: 85C8701	2	CUTOUT 410PSIG
C1/C2	CAPACITOR-FAN MTR Cat #: 53H06 Model/Part #: 96C4301	2	"15MFD,370VAC UNITS(460V & 575V UNITS)"
C1/C2	CAPACITOR-FAN MTR Cat #: 96C44 Model/Part #: 96C4401	2	"20MFD,370VAC(INTL ONLY)"
C1/C2	CAPACITOR-RUN Cat #: 96C46 Model/Part #: 96C4601	2	"30MFD,370VAC(200V UNITS)"

HOT WATER HEAT CONTROL PARTS

Callout	Name	Quantity	Description
	TRANSFORMER Cat #: 13H28 Model/Part #: 75A7901	1	"(T6)208/230VPRI,24VSEC,50VA W/FUSE"
	FUSE Cat #: 99C09 Model/Part #: 99C0901	1	"TRANSF,GMA TYPE,3.15AMP, 250V (INTL ONL
	TRANSFORMER Cat #: 99C10 Model/Part #: 99C1001	1	"(T6)240VPRI,24VSEC,50VA NO FUSE (INTL O

Callout	Name	Quantity	Description
	HOLDER-FUSE Cat #: 99C32 Model/Part #: 99C3201	1	(INTL ONLY)
	RELAY Cat #: 87201 Model/Part #: P-8-10734	1	"(K-21)DPDT,24V"
	FUSE Cat #: 66247 Model/Part #: P-8-1674	1	"TRANSF,C TYPE,2.5AMP,250V"
S-17	THERMOSTAT Cat #: 37723 Model/Part #: P-8-8182	1	THERMOSTAT

HOT WATER HEAT PARTS

Callout	Name	Quantity	Description
	PANEL Cat #: 36F84 Model/Part #: LB-39334AB	1	ACCESS
	MULLION Cat #: 32H52 Model/Part #: LB-49080CA	1	LEFT FROM ACCESS PANEL
	ADAPTER Cat #: P-8-8672 Model/Part #: P-8-8672	3	"1-5/8"---1-1/2"---
4	COIL-HOT WATER Cat #: 73G24 Model/Part #: LB-49405CA	1	W/MANIFOLD
6	PAN-DRAIN Cat #: 73G23 Model/Part #: LB-49358CA	1	PAN-HOT WATER S.A.
8	MOTOR-VALVE Cat #: 50C7501 Model/Part #: 50C7501	1	"24V,SPRING RETURN(FOOTNOTE 2)"
9	LINKAGE-VALVE Cat #: 38615 Model/Part #: P-8-9571	1	LINKAGE-VALVE
11	VALVE-WATER Cat #: 37866 Model/Part #: P-8-4419	1	"1-1/2"---
12	VALVE-WATER Cat #: 87359 Model/Part #: P-8-11033	1	"1/4"---

Callout	Name	Quantity	Description
13	VALVE-WATER Cat #: 87354 Model/Part #: P-8-10380	1	"1-1/2"''''

Note:

Note 1: SEE FIELD REPLACEMENT CRANKCASE HEATER CHART ON CRL CARD. Note 2: MOTOR VALVE 50C7501 IS NOT AVAILABLE. ORDER HOT WATER HEAT KIT LB-59617CA. IF HOT WATER HEAT KIT HAS BEEN INSTALLED REPLACE MOTOR VALVE WITH 81G6401.