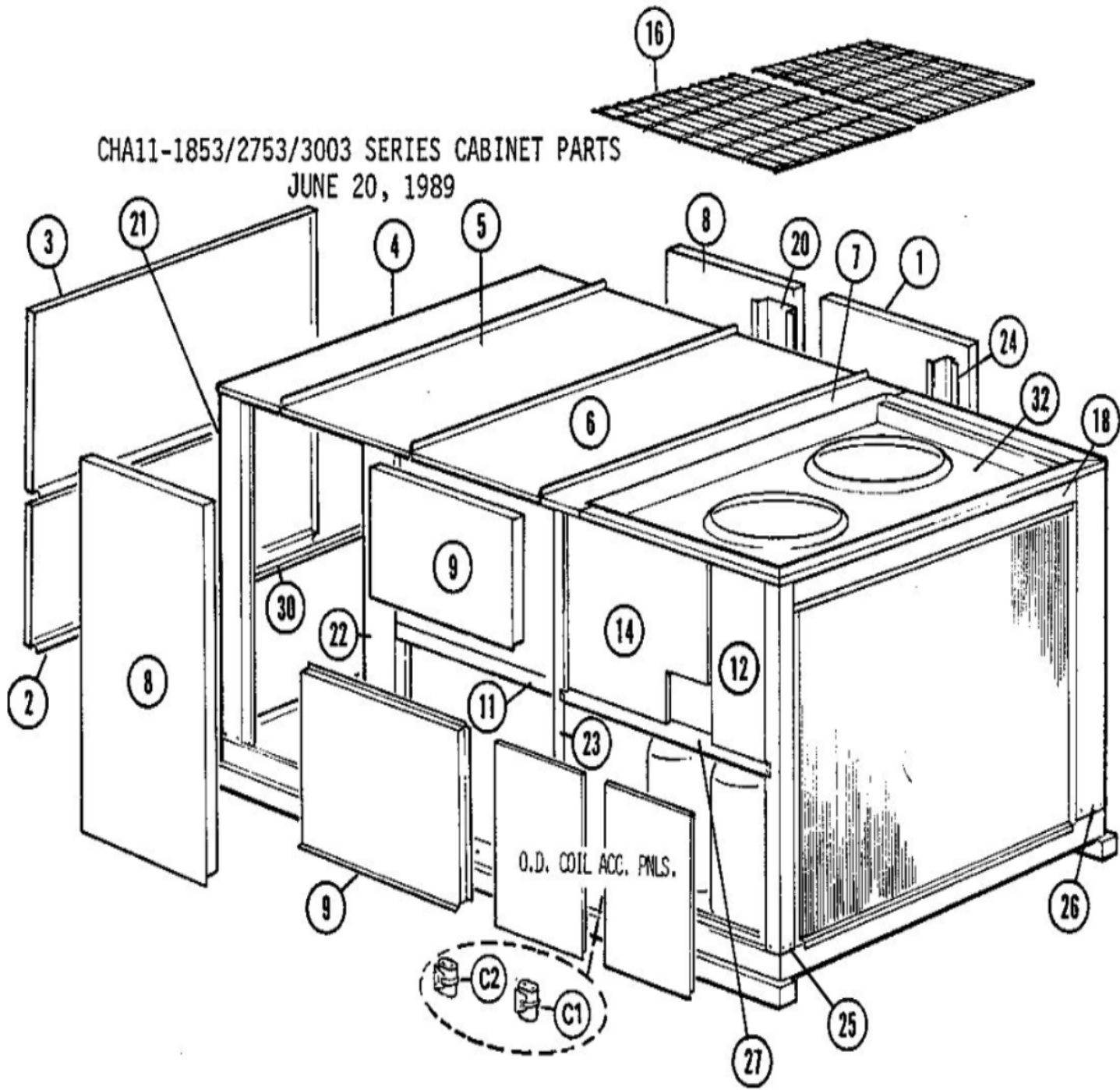
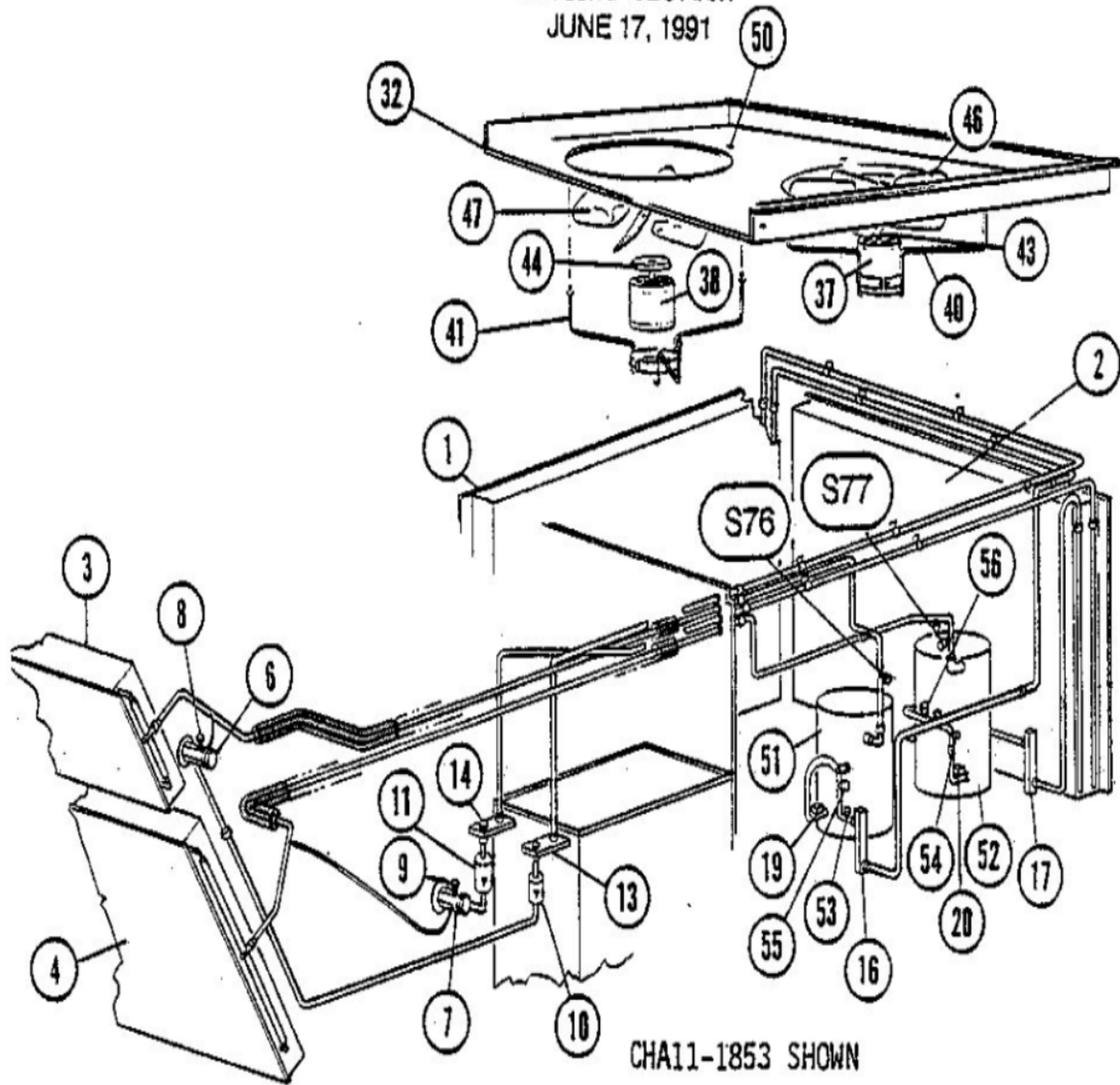


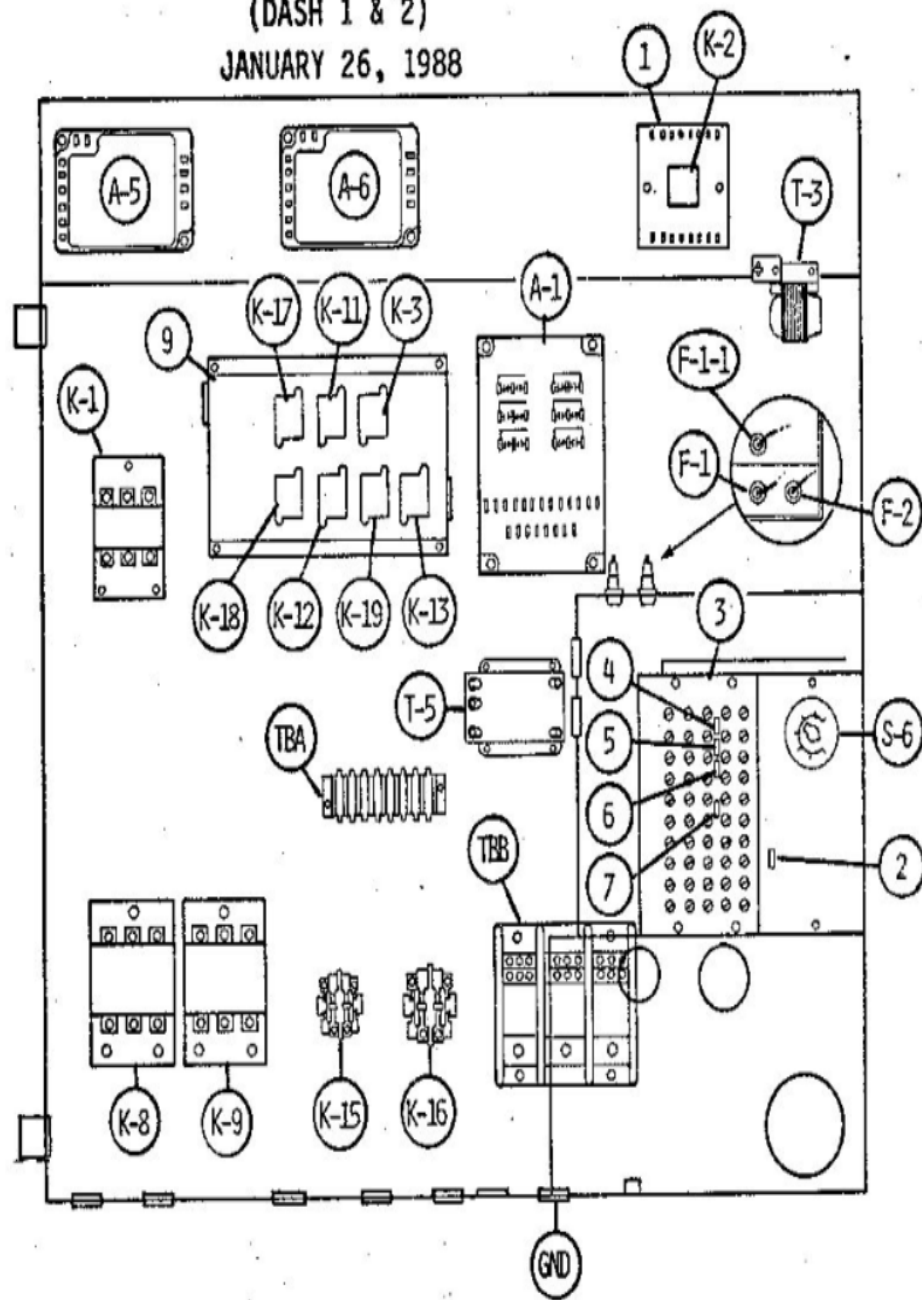
CHA11-1853/2753/3003 SERIES CABINET PARTS
JUNE 20, 1989



CHA11-1853/2753/3003 SERIES
COOLING SECTION
JUNE 17, 1991



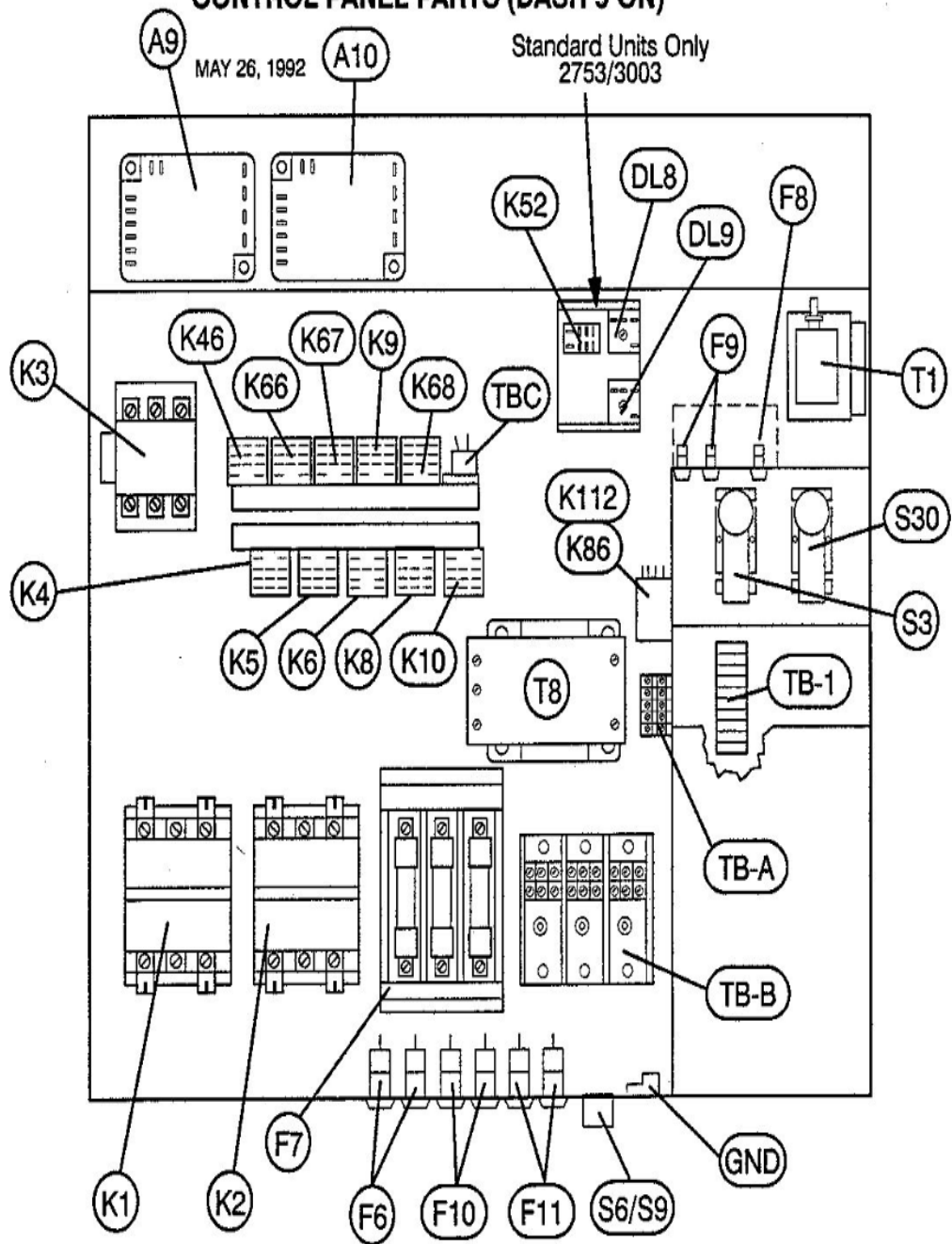
CHA11-1853/2753 SERIES
CONTROL PANEL PARTS
(DASH 1 & 2)
JANUARY 26, 1988



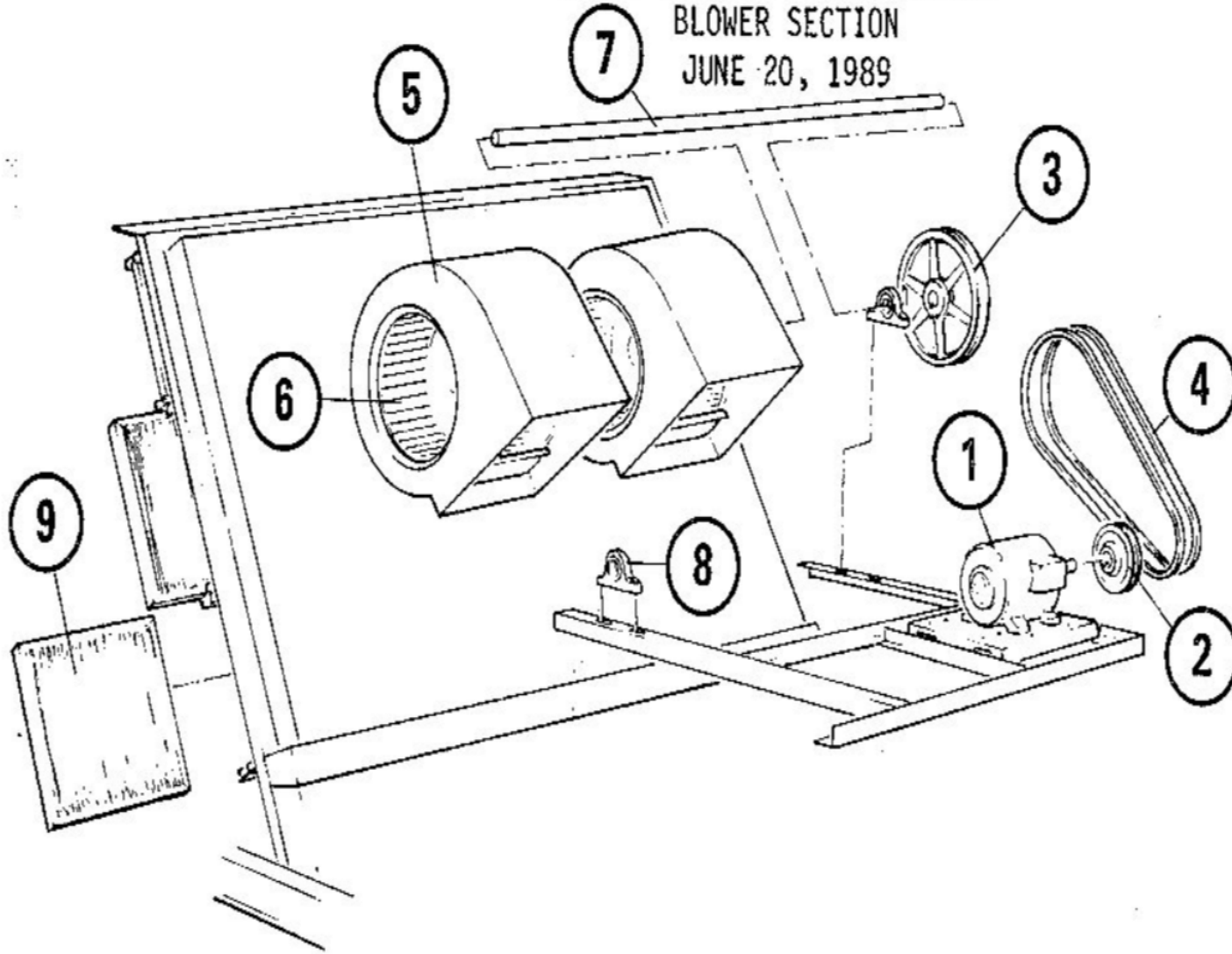
CHA11-1853/2753/3003 SERIES CONTROL PANEL PARTS (DASH 5 ON)

MAY 26, 1992

Standard Units Only
2753/3003



CHA11-1853/2753/3003 SERIES
BLOWER SECTION
JUNE 20, 1989



HWC11-185/275 SERIES

MAY 7, 1985

