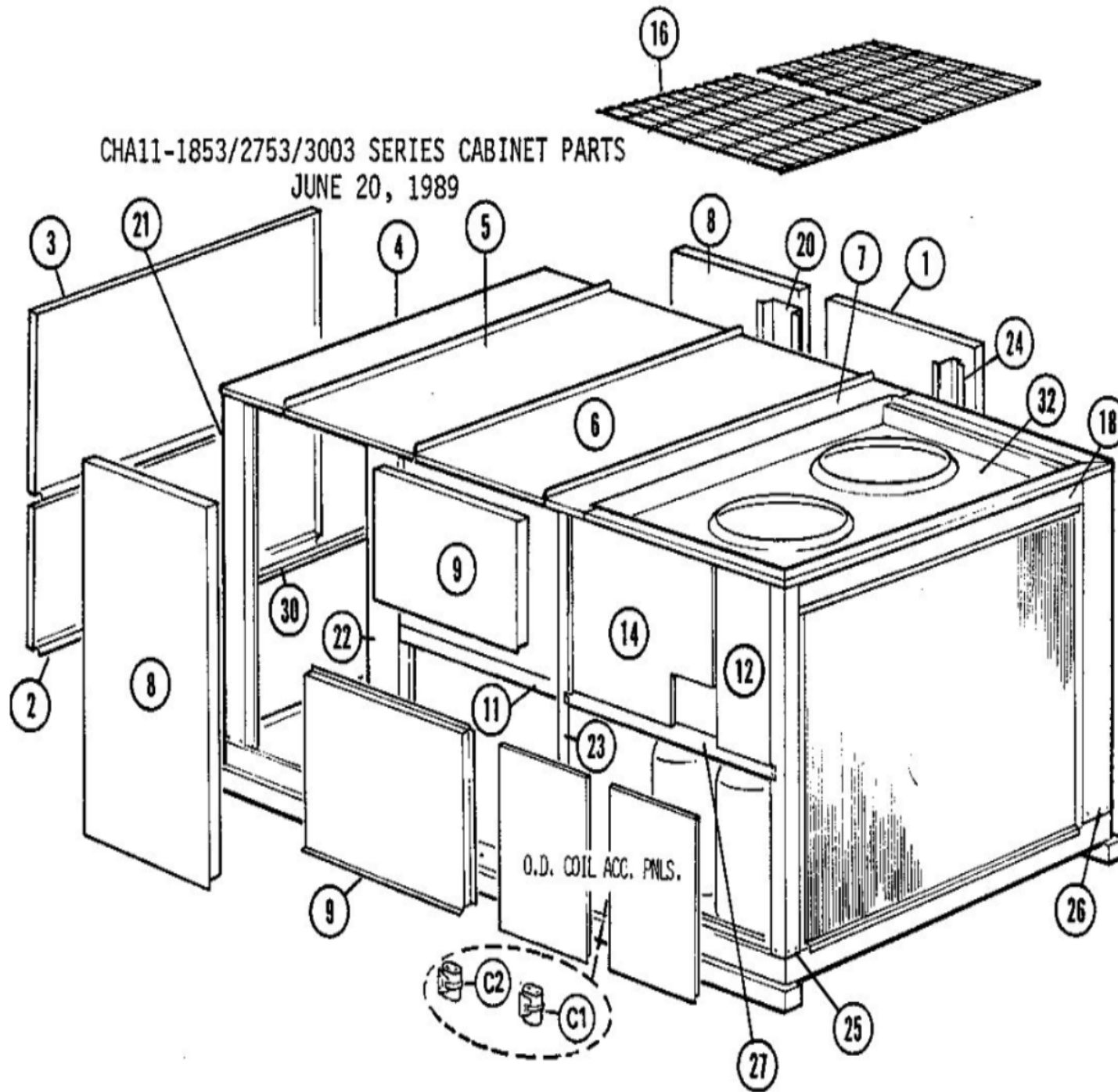
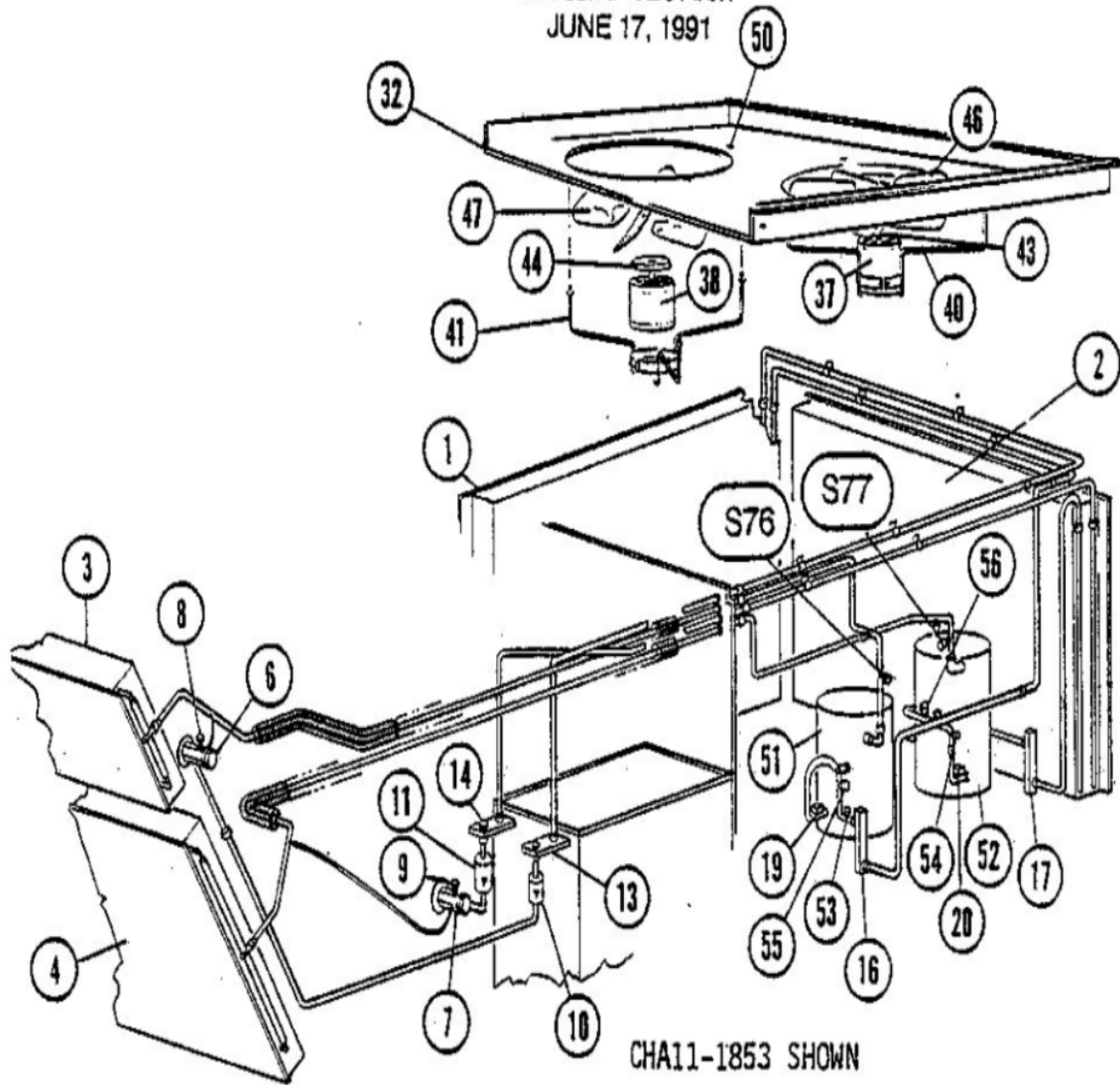


CHA11-1853/2753/3003 SERIES CABINET PARTS
JUNE 20, 1989



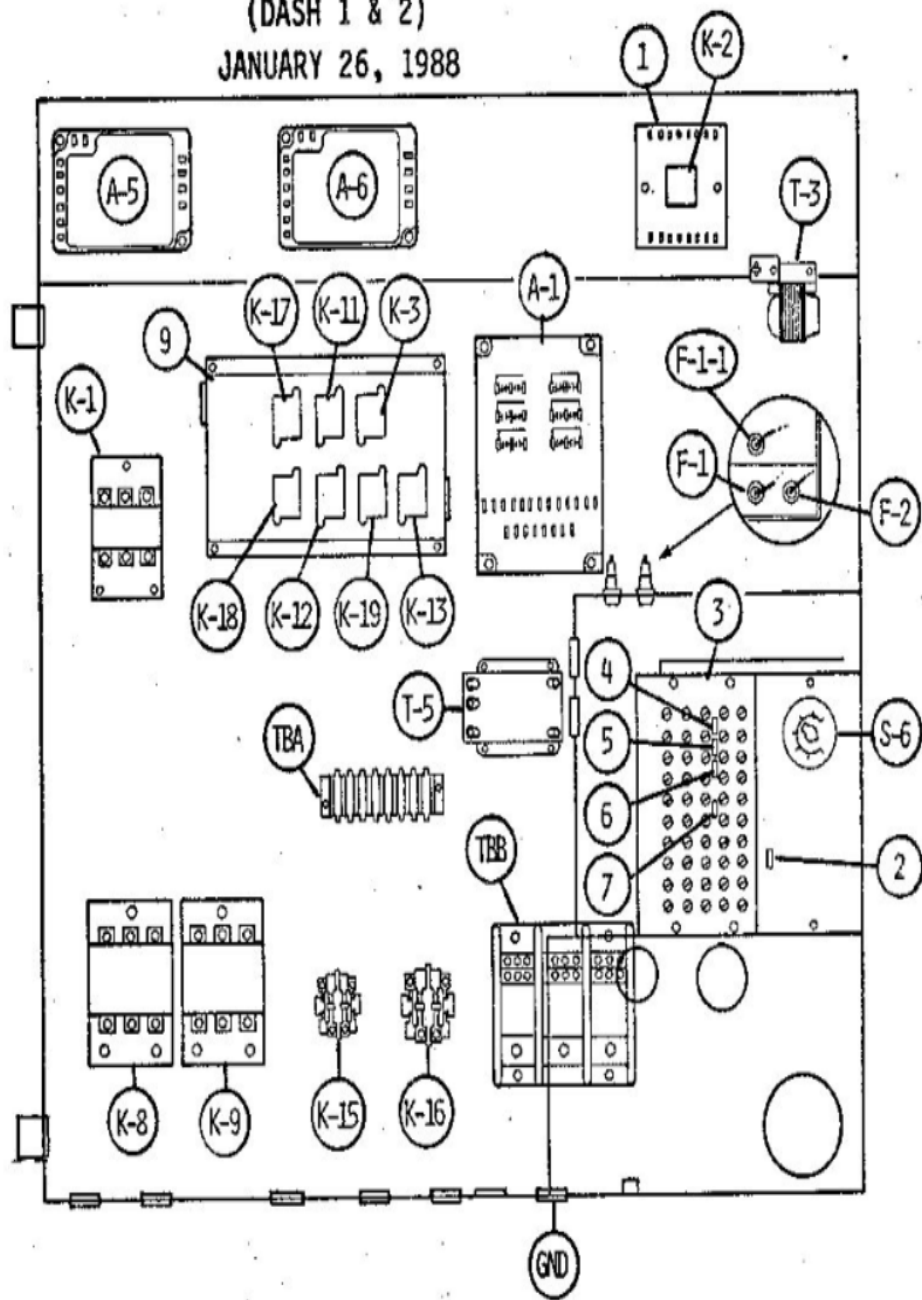
CHA11-1853/2753/3003 SERIES
COOLING SECTION
JUNE 17, 1991



CHA11-1853 SHOWN



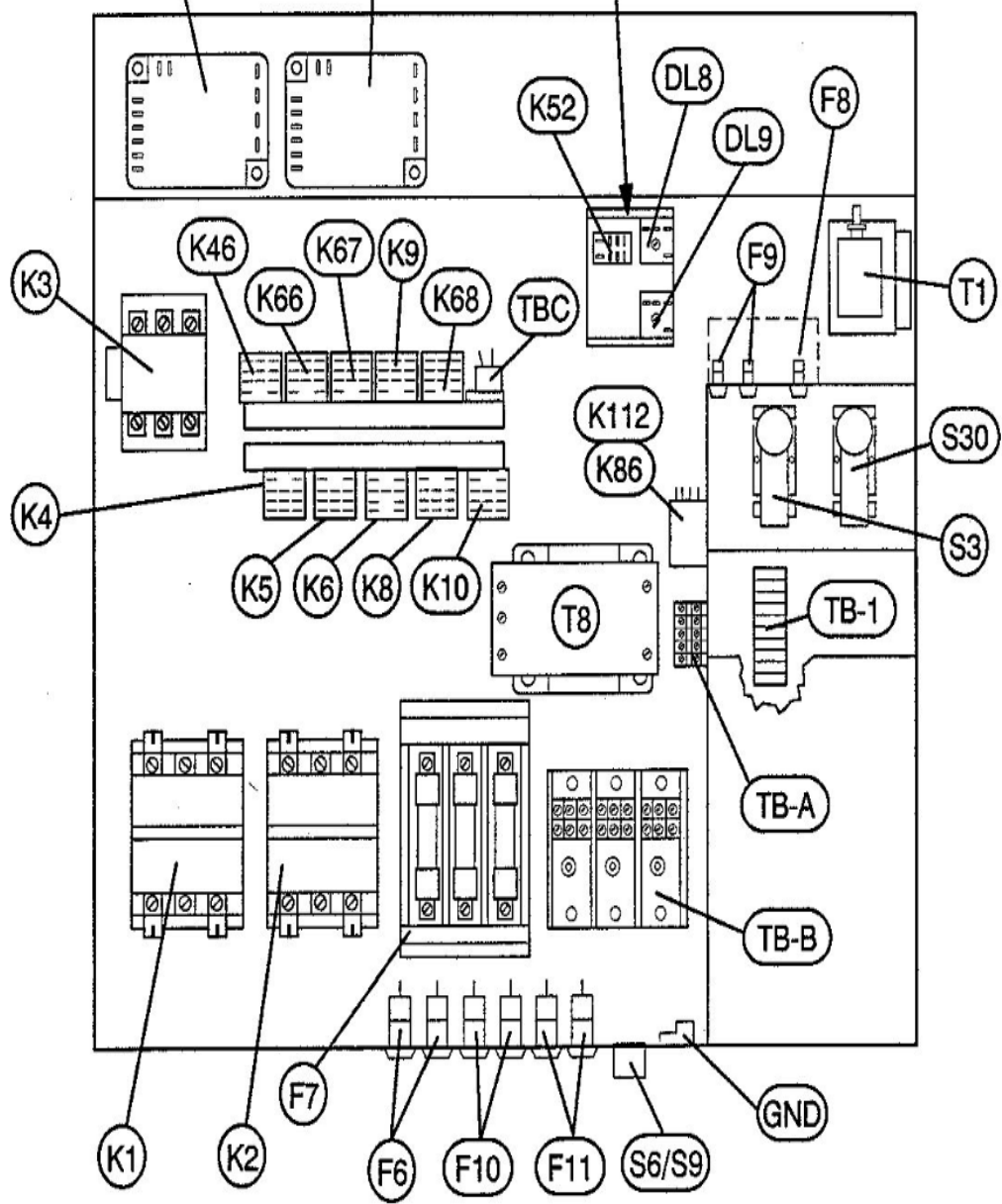
CHA11-1853/2753 SERIES
CONTROL PANEL PARTS
(DASH 1 & 2)
JANUARY 26, 1988



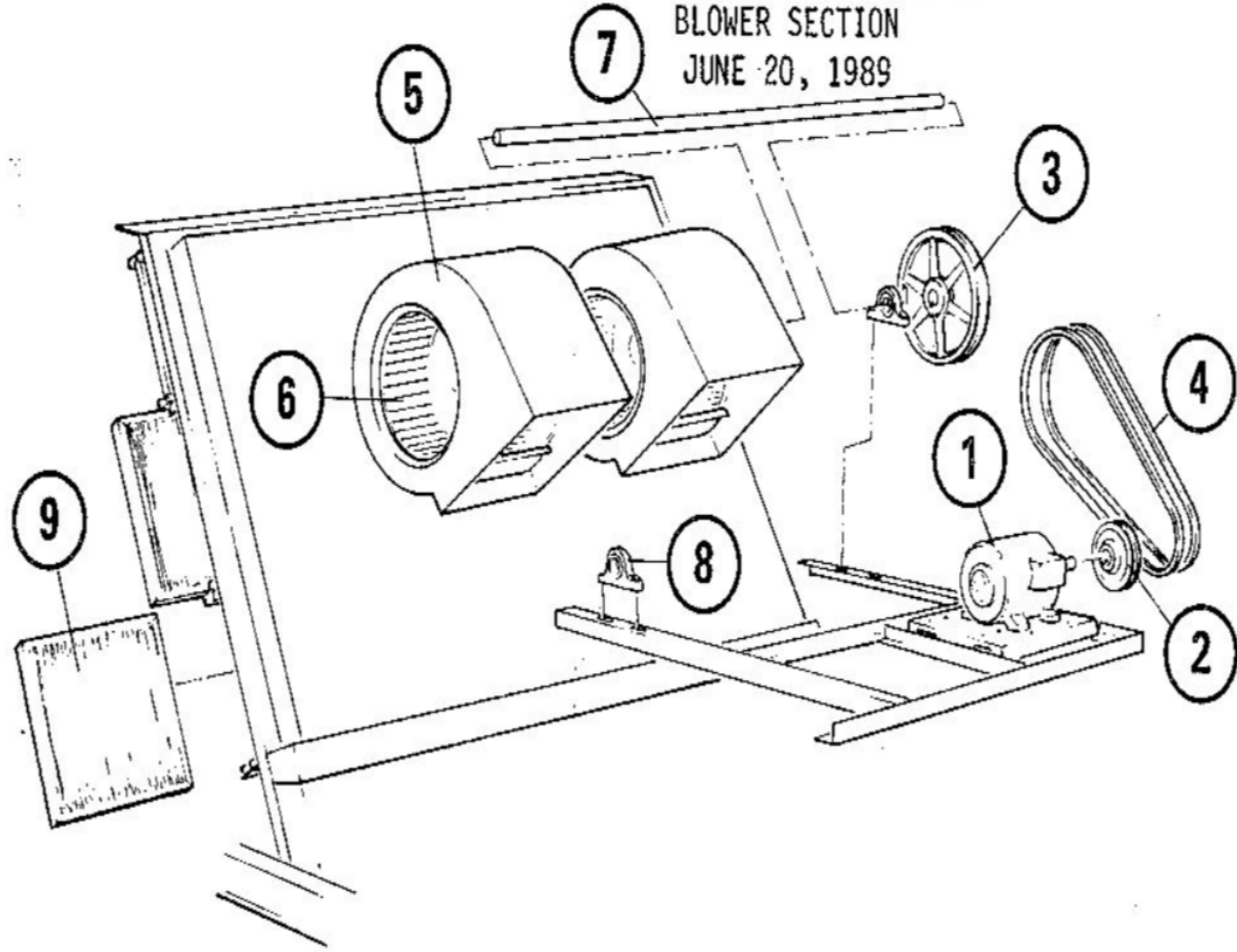
CHA11-1853/2753/3003 SERIES CONTROL PANEL PARTS (DASH 5 ON)

A9
MAY 26, 1992
A10

Standard Units Only
2753/3003

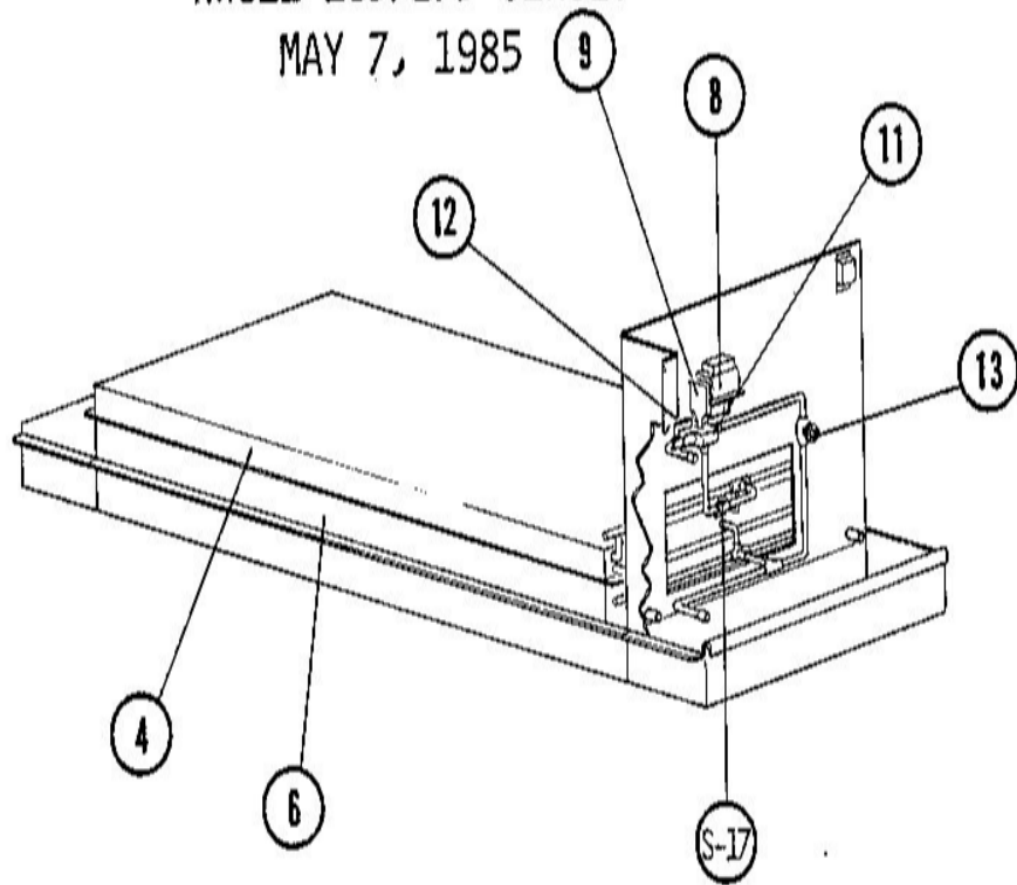


CHA11-1853/2753/3003 SERIES
BLOWER SECTION
JUNE 20, 1989



HWC11-185/275 SERIES

MAY 7, 1985



Revision Number - 5

*OPTIONAL PARTS-FIELD INSTALLED

Callout	Name	Quantity	Description
	CAPACITOR Cat #: 12F47 Model/Part #: 12F4701	1	"6.8MFD,25VAC"
	PANEL-STATUS Cat #: 12F83 Model/Part #: 12F8301	1	SP11
	PANEL-STATUS Cat #: 12F84 Model/Part #: 12F8401	1	SSP11 SWITCHING
	THERMOSTAT Cat #: 13F06 Model/Part #: 13F0601	1	THERMOSTAT
	THERMOSTAT Cat #: 13F12 Model/Part #: 13F1201	1	THERMOSTAT
	SUBBASE Cat #: 13F16 Model/Part #: 13F1601	1	NON SWITCHING
	SUBBASE Cat #: 13F17 Model/Part #: 13F1701	1	SWITCHING
	SUBBASE Cat #: 13H76 Model/Part #: 13H7601	1	SWITCHING
	RELAY Cat #: 13H78 Model/Part #: 13H7801	1	"DPDT,24V"
	RELAY Cat #: 20G53 Model/Part #: 20G5301	1	RELAY
	RELAY Cat #: 24C41 Model/Part #: 24C4101	1	"N.O.,24V(DL6)"
	TRANSMITTER Cat #: 25C51 Model/Part #:	1	REMOTE

Callout	Name	Quantity	Description
	25C5101		
	THERMOSTAT Cat #: 25C52 Model/Part #: 25C5201	1	REMOTE
	RELAY Cat #: 26G12 Model/Part #: 26G1201	1	"SPDT,24V(K28)"
	SENSOR Cat #: 27C40 Model/Part #: 27C4001	1	REMOTE
	BLOCK-TERMINAL Cat #: 36G40 Model/Part #: 36G4001	23	BLOCK-TERMINAL
	THERMOSTAT Cat #: 36G62 Model/Part #: 36G6201	1	ROOM
	THERMOSTAT Cat #: 36G64 Model/Part #: 36G6401	1	REMOTE
	THERMOSTAT Cat #: 36G67 Model/Part #: 36G6701	1	T5010 PRO STAT
	SENSOR Cat #: 38G6801 Model/Part #: 38G6801	1	REMOTE
	THERMOSTAT Cat #: 43C78 Model/Part #: 43C7801	1	THERMOSTAT
	RELAY Cat #: 36G37 Model/Part #: 43G0601	1	"4PDT,24V"
	RELAY Cat #: 43G49 Model/Part #: 43G4901	3	"DPDT,24V"
	RESISTOR Cat #: 43G6601 Model/Part #:	1	523 OHMS

Callout	Name	Quantity	Description
	43G6601		
	RESISTOR Cat #: 43G6701 Model/Part #: 43G6701	1	17.8K OHMS
	RESISTOR Cat #: 43G7101 Model/Part #: 43G7101	1	150 OHMS
	CLOCK-TIME Cat #: 43G98 Model/Part #: 43G9801	1	7 DAY
	CLOCK-TIME Cat #: 43G99 Model/Part #: 43G9901	1	24 HR
	RELAY Cat #: 43G49 Model/Part #: 54G4501	1	"DPDT,24V"
	POETNTIOMETER Cat #: 54G5601 Model/Part #: 54G5601	1	2K OHMS
	RELAY-DELAY Cat #: 54G57 Model/Part #: 54G5701	2	24V
	RESISTOR Cat #: 54G5801 Model/Part #: 54G5801	1	90.9 OHMS
	RESISTOR Cat #: 54G5901 Model/Part #: 54G5901	1	100 OHMS
	RESISTOR Cat #: 54G6001 Model/Part #: 54G6001	1	182 OHMS
	RESISTOR Cat #: 54G6101 Model/Part #: 54G6101	1	681 OHMS
	RESISTOR Cat #: 54G6201 Model/Part #:	1	806 OHMS

Callout	Name	Quantity	Description
	54G6201		
	SENSOR Cat #: 58C92 Model/Part #: 58C9201	1	WALL MOUNT
	SUBBASE Cat #: 58C93 Model/Part #: 58C9301	1	SWITCHING-REMOTE
	SWITCH-LO PRESS Cat #: 58H53 Model/Part #: 58H5301	1	(SUCTION LINE)
	VALVE-SOLENOID Cat #: 58H54 Model/Part #: 58H5401	1	(LIQUID LINE)
	TIME DELAY Cat #: 65G70 Model/Part #: 65G7001	1	24V
	TIME DELAY Cat #: 76C85 Model/Part #: 76C8501	1	"SPDT,24V"
	THERMOSTAT Cat #: 81G59 Model/Part #: 81G5901	1	T7300
	SUBBASE Cat #: 81G60 Model/Part #: 81G6001	1	SWITCHING
	SENSOR Cat #: 86G67 Model/Part #: 86G6701	1	ROOM TEMP W/OVERRIDE
	RELAY Cat #: 87F8401 Model/Part #: 87F8401	1	"4PDT,24V"
	TRANSFORMER Cat #: 94C79 Model/Part #: 94C7901	1	"600VPRI,120/240VSEC,1500VA NO FUSE"
	BOARD-CIRCUIT Cat #: LB-49389BA Model/Part #:	1	BOARD-CIRCUIT

Callout	Name	Quantity	Description
	LB-49389BA		
	HARNESS-WIRING Cat #: LB-57275C Model/Part #: LB-57275C	1	HARNESS-WIRING
	SWITCH-PRESS Cat #: 38912 Model/Part #: P-8- 10321	2	".02""W.C. TO 2"" W.C."
	TEE Cat #: 87071 Model/Part #: P-8- 10569	1	SCHRADER DEPRESSOR
	DRIER Cat #: 87327 Model/Part #: P-8- 10808	1	DRIER, R22 ONLY
	NUT Cat #: 59498 Model/Part #: P-8- 1218	2	FLARE
	CAP-SEAL Cat #: 66817 Model/Part #: P-8- 1401	1	FITTING-PRESSURE TAP
	VALVE CORE Cat #: 66820 Model/Part #: P-8- 1897	1	VALVE, CORE 8075910047
	KNOB-DIAL Cat #: 6882 Model/Part #: P-8- 3096	1	FOR THERMOSTAT
	CAP-SEAL Cat #: 58114 Model/Part #: P-8- 3187	1	CAP, BRASS
	FITTING Cat #: 59784 Model/Part #: P-8- 4934	2	STRAIN RELIEF
	SWITCH-LO PRESS Cat #: 68493 Model/Part #: P-8- 6383	1	"IN 285PSIG,OUT 140PSIG"
	THERMOSTAT Cat #: 68523 Model/Part #: P-8-	2	LOW AMBIENT

Callout	Name	Quantity	Description
	6384		
KIT 1	KIT-TD (14F57) Cat #: 14F57 Model/Part #: LB-51313BA	1	NO HEAT KIT - INC NEXT 1 PART

BLOWER PARTS

Callout	Name	Quantity	Description
	SPACER Cat #: 73G22 Model/Part #: LB-0773	2	BEARING
	MOUNT Cat #: 76784 Model/Part #: LB-25552D	5	"RUBBER-BLOWER FRAME,2""
	KEY Cat #: 73G21 Model/Part #: LB-36583D	1	KEY
	PLATE-CUTOFF Cat #: 39A30 Model/Part #: LB-9969D	2	CUTOFF PLATE
	KEY-WOODRUFF Cat #: 21606 Model/Part #: P-8-5874	2	WOODRUFF
1	MOTOR-BLOWER Cat #: 49A45 Model/Part #: 49A4501	1	"5HP,1725RPM,230-400/50/3 (INTL ONLY)"
1	MOTOR-BLOWER Cat #: 32650 Model/Part #: P-8-5697	1	"5HP,1725RPM,200-208/60/3"
1	MOTOR-BLOWER Cat #: 32619 Model/Part #: P-8-5699	1	"5HP,1725RPM,230-460/60/3"
1	MOTOR-BLOWER Cat #: 32651 Model/Part #: P-8-5702	1	"5HP,1725RPM,575/60/3"
2	PULLEY-MOTOR Cat #: 56939 Model/Part #: P-8-1497	1	"1-1/8""BORE,6.5""O.D.,B SEC"
2	PULLEY-MOTOR Cat #: 57526 Model/Part #: P-8-3026	1	"1-1/8""BORE,5-3/8""OD, B SEC (OPTIONAL)
3	PULLEY-BLOWER Cat #: 32707 Model/Part #: P-8-5040	1	"1-3/16""BORE,9.8""O.D.,A-B SEC (INTL ON

Callout	Name	Quantity	Description
3	PULLEY-BLOWER Cat #: 32555 Model/Part #: P-8-5104	1	"1-3/16" BORE, 11.4" O.D., A-B SEC (SEE FO
4	BELT Cat #: 88C92 Model/Part #: 88C9201	2	"83.3" PITCH LENGTH, A SECTION"
4	BELT Cat #: 21633 Model/Part #: P-8-4387	2	"81.3" PITCH LENGTH, A SECTION (INTL ONLY
5	HOUSING-BLOWER Cat #: 96G33 Model/Part #: LB-39188CA	2	BLOWER HSG. S.A. GCS11-1853
6	WHEEL-BLOWER Cat #: 21605 Model/Part #: P-5-179	2	"1-3/16" BORE, 15" X 9"
7	SHAFT-BLOWER Cat #: 41F31 Model/Part #: LB-39196C	1	"1-3/16", DIA, 44-1/2" LENGTH"
8	BEARING Cat #: 56627 Model/Part #: P-5-110	2	"1-3/16" BORE, BALL"
9	FILTER-AIR "16" X 20" X 1" Cat #: Model/Part #:	9	

CABINET PARTS

Callout	Name	Quantity	Description
	PANEL-TOP Cat #: LB-39302C Model/Part #: LB-39302C	2	LINER
	SEAL Cat #: 21G68 Model/Part #: LB-39397C	1	O.D.COIL SECTION TOP(END)
	ANGLE Cat #: 91G65 Model/Part #: LB-45983D	1	SUPPORT FOR LB-50909C
	PANEL Cat #: 17G25 Model/Part #: LB-49086C	1	O.D.COIL SECTION ACCESS
1	PANEL Cat #: 68F49 Model/Part #: LB-39334AA	1	ACCESS
2	PANEL Cat #: 34G99 Model/Part #: LB-39333AB	1	ACCESS

Callout	Name	Quantity	Description
3	PANEL Cat #: 34G98 Model/Part #: LB-39333AA	1	ACCESS
05- APR	PANEL-TOP Cat #: 25G28 Model/Part #: LB-50908B	1	ONE PIECE
07- JUN	PANEL-TOP Cat #: 91G64 Model/Part #: LB-50909C	1	PANEL-TOP #3
8	PANEL Cat #: 36F84 Model/Part #: LB-39334AB	2	ACCESS
9	PANEL Cat #: 12G87 Model/Part #: LB-39334AD	2	ACCESS
11	PANEL Cat #: 49H59 Model/Part #: LB-49092BA	1	FILLER
12	PANEL Cat #: 89F11 Model/Part #: LB-39337C	1	FILLER-O.D.COIL SECTION
14	COVER-CONTROL BOX Cat #: 68G19 Model/Part #: LB-39589BA	1	COVER-CONTROL BOX
16	GUARD-FAN Cat #: 72C88 Model/Part #: 72C8801	2	GUARD-FAN
18	SEAL Cat #: 21G19 Model/Part #: LB-39398C	1	O.D.COIL SECTION TOP(END)
20	MULLION Cat #: 82G94 Model/Part #: LB-39366BB	1	REAR
21	MULLION Cat #: 88F84 Model/Part #: LB-39365BA	2	CORNER(FRONT&REAR)
22	MULLION Cat #: LB-39366BA Model/Part #: LB- 39366BA	1	FRONT
23	MULLION Cat #: 20H40 Model/Part #: LB-48970CA	1	FRONT
24	MULLION Cat #: 28H63 Model/Part #: LB-39371C	1	REAR
25	MULLION Cat #: 21G67 Model/Part #: LB-39369C	1	FRONT-OUTDOOR COIL SECTION

Callout	Name	Quantity	Description
26	MULLION Cat #: 84F71 Model/Part #: LB-39370C	1	REAR-OUTDOOR COIL SECTION
27	MULLION Cat #: 56G21 Model/Part #: LB-39363CA	1	HORIZONTAL
30	MULLION Cat #: LB-36671CA Model/Part #: LB-36671CA	1	HORIZONTAL
32	PANEL Cat #: 23G90 Model/Part #: LB-39990CA	1	ORIFICE

CONTROL PANEL PARTS

Callout	Name	Quantity	Description
	FUSE Cat #: 65G72 Model/Part #: 65G7201	2	"TYPE KTK,15AMP,600VAC"
	FUSE Cat #: 71G35 Model/Part #: 71G3501	1	"TYPE N3,3.5AMP,120V"
	BLOCK-FUSE Cat #: 84F49 Model/Part #: 84F4901	1	(380/420V INTL ONLY)
	FUSE Cat #: 84F50 Model/Part #: 84F5001	3	"TYPE FNQ,2.5AMP,500V"
	FUSE Cat #: 91C86 Model/Part #: 91C8601	1	"TYPE MDA,2.5AMP,250V (FOR P-8-6327)"
	FUSE Cat #: 99C09 Model/Part #: 99C0901	1	"TYPE GMA,3.15AMP,250V"
	BUSHING-SNAP Cat #: P-8-242 Model/Part #: P-8-242	1	PLUG-SNAPHOLE 7/8
	FUSE Cat #: 57771 Model/Part #: P-8-418	3	"TYPE FRN,30AMP,250V"
	BLOCK, FUSE Cat #: 59631 Model/Part #: P-8-4372	1	(200 & 230V ONLY)

Callout	Name	Quantity	Description
	GROMMET Cat #: 36C66 Model/Part #: P-8-7324	3	"7/8""I.D. FOR 1-1/8""OPENING"
A-9	RELAY Cat #: 87C88 Model/Part #: 87C8801	1	COMP 240V-10TON
F-10	HOLDER Cat #: 89F02 Model/Part #: 89F0201	2	FUSE, HOLDER
F-11	HOLDER Cat #: 89F02 Model/Part #: 89F0201	2	FUSE, HOLDER
F-6	HOLDER Cat #: 89F02 Model/Part #: 89F0201	2	FUSE, HOLDER
F-8	HOLDER-FUSE Cat #: 60579 Model/Part #: P-8-6237	1	"(200,230,460 & 575V)"
F-9	HOLDER-FUSE Cat #: 96C76 Model/Part #: 96C7601	1	(380/420V INTL ONLY)
F-9	CARRIER-FUSE Cat #: 96C77 Model/Part #: 96C7701	1	(380/420V INTL ONLY)
F-9	HOLDER-FUSE Cat #: 60579 Model/Part #: P-8-6237	1	(575 & 460V ONLY)
GND	LUG-GROUND Cat #: P-8-7036 Model/Part #: P-8-7036	1	LUG, SOLDERLESS
K-1	CONTACTOR-COMPR Cat #: 38377 Model/Part #: P-8-7707	1	"(10TON)3PDT,110-120V (200 & 230V ONLY)"
K-1	CONTACTOR Cat #: 38394 Model/Part #: P-8-7737	1	"(10TON)3PDT,110-120V (460 & 575V ONLY)"

Callout	Name	Quantity	Description
K-1	CONTACTOR Cat #: 38267 Model/Part #: P-8-7738	1	"(10TON)3PDT,208-240V (INTL ONLY)"
K-2	CONTACTOR-COMPR Cat #: 68653 Model/Part #: P-8-7717	1	"(5TON)3PDT,110-120V (200 & 230V ONLY)"
K-2	CONTACTOR Cat #: 38394 Model/Part #: P-8-7737	1	"(5TON)3PDT,110-120V (460 & 575V ONLY)"
K-2	CONTACTOR Cat #: 38267 Model/Part #: P-8-7738	1	"(5TON)3PDT,208-240V (INTL ONLY)"
K-3	CONTACTOR-3PDT Cat #: 10G19 Model/Part #: 10G1901	1	"BLOWER-3PDT,24V"
K-46	RELAY Cat #: 20G53 Model/Part #: 20G5301	1	"BLOWER-SPDT,24V"
K-66	RELAY Cat #: 20G53 Model/Part #: 20G5301	1	"STG 1 COOLING,SPDT,24V"
K-67	RELAY Cat #: 20G53 Model/Part #: 20G5301	1	"STG 2 COOLING-SPDT,24V"
K-9	RELAY Cat #: 20G52 Model/Part #: 20G5201	1	"HEAT-DPDT,24V"
S-3	THERMOSTAT Cat #: 68523 Model/Part #: P-8-6384	1	"LOW,COMP #1"
S-30	THERMOSTAT Cat #: 68523 Model/Part #: P-8-6384	1	"LOW,COMP #2"
T-1	TRANSFORMER Cat #: 65G49 Model/Part #: 65G4901	1	"CONTROL-208/230VPRI,24VSEC,70VA,W/FUSE"
T-1	TRANSFORMER	1	"CONTROL-

Callout	Name	Quantity	Description
	Cat #: 99C10 Model/Part #: 99C1001		240VPRI,24VSEC,50VA, NO FUSE(IN
T-8	TRANSFORMER Cat #: 68537 Model/Part #: P-8-5859	1	"208/230VPRI,115VSEC,350VA, NO FUSE(200,
TB-1	BLOCK-TERMINAL Cat #: 48G11 Model/Part #: 48G1101	1	STRIP, TERMINAL
TBA	BLOCK-TERMINAL Cat #: 38916 Model/Part #: P-8-8928	1	BLOCK-TERMINAL
TBB	BLOCK-TERMINAL Cat #: 12B87 Model/Part #: 12B8701	1	BLOCK, TERMINAL

COOLING PARTS

Callout	Name	Quantity	Description
	HEATER- CRANKCASE"COMP,INTERNAL" Cat #: Model/Part #:	1	
	MOUNT PKG-COMP Cat #: 15F24 Model/Part #: 15F2401PR	1	MOUNT PKG-COMP
	TRANSFORMER Cat #: 19F57 Model/Part #: 19F5701	1	"(T1)380/400/416VPRI,215VSEC, 500VA,NO F
	CLIP Cat #: 47F01 Model/Part #: 47F0101	1	THERMOSTAT (FOR 46F9601)
	SHIELD-RAIN Cat #: 53F18 Model/Part #: 53F1801	1	"BLACK,7-1/2""DIA,5/8""BORE (USED WITH 8
	TRANSFORMER Cat #: 55C17 Model/Part #: 55C1701	1	"(T1)240/480VPRI,120/240VSEC, 500VA,NO F
	TRANSFORMER Cat #: 55C18 Model/Part #:	1	"(T1)600VPRI,120/240VSEC,500VA NO FUSE (

Callout	Name	Quantity	Description
	55C1801		
	CLIP Cat #: 62A60 Model/Part #: 62A6001	1	THERMOSTAT (FOR 25C9001)
	PAN-DRAIN Cat #: 24H70 Model/Part #: LB-39518CA	1	INDOOR COIL
	PAN-DRAIN Cat #: 63G51 Model/Part #: LB-39518CB	1	INDOOR COIL
	BRACKET Cat #: LB-49837CA Model/Part #: LB-49837CA	1	TRANSFORMER
	BOOT-THERMOSTAT Cat #: 87099 Model/Part #: P-8-10639	2	CONNECTOR
	CAP-SEAL Cat #: 66817 Model/Part #: P-8-1401	6	FITTING-PRESSURE TAP
	VALVE CORE Cat #: 66820 Model/Part #: P-8-1897	2	VALVE, CORE 8075910047
	CAP-SEAL Cat #: 58114 Model/Part #: P-8-3187	2	CAP, BRASS
	BOOT CAPACITOR Cat #: 37815 Model/Part #: P-8-878	2	BOOT, CAPACITOR
	MOUNT PKG-COMP Cat #: 69219 Model/Part #: PR-317	1	MOUNT PKG-COMP
1	COIL-OUTDOOR Cat #: 11G23 Model/Part #: LB-39791CA	1	1ST STG-W/MANIFOLD
2	COIL-OUTDOOR Cat #: 68F37 Model/Part #: LB-	1	2ND STG-W/MANIFOLD

Callout	Name	Quantity	Description
	39684CA		
3	COIL-INDOOR Cat #: 94G22 Model/Part #: LB-39501CA	1	1ST STG-W/MANIFOLD
4	COIL-INDOOR Cat #: 94G21 Model/Part #: LB-39500CA	1	2ND STG-W/MANIFOLD
6	VALVE-EXPANSION Cat #: 28C14 Model/Part #: 28C1401	1	1ST STAGE
7	VALVE-EXPANSION Cat #: 70C53 Model/Part #: 70C5301	1	2ND STAGE
8	DISTRIBUTOR ASSY Cat #: 14H27 Model/Part #: LB-61803CC	1	1ST STAGE
9	DISTRIBUTOR ASSY Cat #: 14H26 Model/Part #: LB-61803CB	1	2ND STAGE
10	DRIER Cat #: 12L71 Model/Part #: 12L7101	1	LIQUID LINE FILTER(5 TON)
11	DRIER Cat #: 12L74 Model/Part #: 12L7401	1	LIQUID LINE FILTER(10 TON)
11	DRIER Cat #: 58A64 Model/Part #: 58A6401	1	SUCTION LINE(5 TON)
11	DRIER Cat #: 70C11 Model/Part #: 70C1101	1	SUCTION LINE(10 TON)
13	VALVE-SERVICE Cat #: 54G97 Model/Part #: P-8-1565	1	"LIQUID,3/8""
14	VALVE-SERVICE Cat #: 67097 Model/Part #: P-8-	1	"LIQUID,5/8""

Callout	Name	Quantity	Description
	2483		
16	VALVE-SERVICE Cat #: 38652 Model/Part #: P-8-9755	1	"DISCHARGE,5/8""
17	VALVE-SERVICE Cat #: 38137 Model/Part #: P-8-7867	1	"DISCHARGE,7/8""
19	THERMOSTAT Cat #: 25C90 Model/Part #: 25C9001	1	(S4)
20	THERMOSTAT Cat #: 46F96 Model/Part #: 46F9601	1	(S5)
37	MOTOR-FAN Cat #: 16F21 Model/Part #: 16F2101	1	"1HP,900,RPM,380-420/50/1 (INTL ONLY)"
37	MOTOR-FAN Cat #: 88C73 Model/Part #: 88C7301	1	"1HP,1080RPM,460/60/1, W/BLACK,7-1/2""RA
37	MOTOR-FAN Cat #: 88C74 Model/Part #: 88C7401	1	"1HP,1080RPM,230/60/1"
37	MOTOR-FAN Cat #: 88C75 Model/Part #: 88C7501	1	"1HP,1080RPM,200/60/1"
37	MOTOR-FAN Cat #: 88C76 Model/Part #: 88C7601	1	"1HP,1080RPM,575/60/1, W/BLACK,7-1/2""RA
38	MOTOR-FAN Cat #: 40C98 Model/Part #: 37C7901	1	"1/2HP,1075RPM,460/60/1"
38	MOTOR-FAN Cat #: 37C80 Model/Part #: 37C8001	1	"1/2HP,1075RPM,575/60/1"
38	MOTOR-FAN Cat #: 40C98 Model/Part #:	1	"1/2HP,900RPM,380-420/50/1 (INTL ONLY)"

Callout	Name	Quantity	Description
	40C9801		
38	MOTOR-FAN Cat #: 41C83 Model/Part #: 66C5101	1	"1/2HP,1075RPM,208-230/60/1"
40	MOUNT-MOTOR Cat #: 70C25 Model/Part #: 70C2501	1	MOTOR FRAME-26IN
41	MOUNT-MOTOR Cat #: 70C24 Model/Part #: 70C2401	1	MOTOR FRAME-24IN
43/44	SHIELD-RAIN Cat #: 32621 Model/Part #: P-8- 6142	2	"(INTL ONLY)WHITE,3-1/2""DIA, 1/2""BORE"
43/44	SHIELD-RAIN Cat #: 60814 Model/Part #: P-8- 6148	2	"WHITE,3-1/2""DIA,5/8""BORE"
46	FAN Cat #: 22F54 Model/Part #: 22F5401	1	"1/2""BORE,26""DIA,5 BLADE (INTL ONLY)"
46	FAN Cat #: 68659 Model/Part #: P-8- 6283	1	"5/8""BORE,26""DIA,5 BLADE"
47	FAN Cat #: 29F80 Model/Part #: 29F8001	1	"1/2""BORE,24""DIA,4 BLADE"
50	LOCKNUT Cat #: P-8-4977 Model/Part #: P-8-4977	12	FRAME SECURING
51	COMPRESSOR Cat #: 89C27 Model/Part #: 89C2701	1	"5TON,575/60/3,TEC"
51	COMPRESSOR Cat #: 89C38 Model/Part #: 89C3801	1	"5TON,200-230/60/3,TEC"
51	COMPRESSOR Cat #: 99C98 Model/Part #:	1	"5TON,380-420/50/3,TEC (INTL ONLY)"

Callout	Name	Quantity	Description
	99C9801		
52	COMPRESSOR Cat #: 89C25 Model/Part #: 89C2501	1	"10TON,200-230/60/3,TEC"
52	COMPRESSOR Cat #: 89C26 Model/Part #: 89C2601	1	"10TON,460/60/3,TEC"
52	COMPRESSOR Cat #: 60L07 Model/Part #: 89C3901	1	"10TON,575/60/3,TEC"
53	SWITCH-LO PRESS Cat #: 85C23 Model/Part #: 85C2301	1	"CUTOOUT25PSIG,CUTIN 55PSIG"
54	SWITCH-LO PRESS Cat #: 85C23 Model/Part #: 85C2301	1	"CUTOOUT25PSIG,CUTIN 55PSIG"
55	SWITCH-HI PRESS Cat #: 85C87 Model/Part #: 85C8701	1	CUTOOUT 410PSIG(10 TON)
56	SWITCH-HI PRESS Cat #: 85C87 Model/Part #: 85C8701	1	CUTOOUT 410PSIG(10 TON)
C1	CAPACITOR-FAN MTR Cat #: 53H06 Model/Part #: 96C4301	1	"15MFD,370VAC(460V&575V UNITS)"
C1	CAPACITOR-FAN MTR Cat #: 96C44 Model/Part #: 96C4401	1	"20MFD,370VAC(INTL ONLY)"
C1	CAPACITOR-RUN Cat #: 96C46 Model/Part #: 96C4601	1	"30MFD,370VAC(200V UNITS)"
C2	CAPACITOR Cat #: 81A40 Model/Part #: 81A4001	1	"10MFD,370VAC(575V CAN ONLY)"
C2	CAPACITOR Cat #: 53H05 Model/Part #:	1	"12.5MFD,370VAC(460V UNITS)"

Callout	Name	Quantity	Description
	96C4201		
C2	CAPACITOR-FAN MTR Cat #: 53H06 Model/Part #: 96C4301	1	"15MFD,370VAC(200V&230V UNITS)"

HOT WATER HEAT CONTROL PARTS

Callout	Name	Quantity	Description
	TRANSFORMER Cat #: 13H28 Model/Part #: 75A7901	1	"(T6)208/230VPRI,24VSEC, 50VA,W/FUSE"
	FUSE Cat #: 99C09 Model/Part #: 99C0901	1	"TRANSF,GMA TYPE,3.15AMP,250V (INTL ONLY
	TRANSFORMER Cat #: 99C10 Model/Part #: 99C1001	1	"(T6)240VPRI,24VSEC,50VA NO FUSE (INTL O
	HOLDER-FUSE Cat #: 99C32 Model/Part #: 99C3201	1	(INTL ONLY)
	RELAY Cat #: 87201 Model/Part #: P-8-10734	1	"(K-21)DPDT,24V"
	FUSE Cat #: 66247 Model/Part #: P-8-1674	1	"TRANSF,C TYPE,2.5AMP,250V"
S-17	THERMOSTAT Cat #: 37723 Model/Part #: P-8-8182	1	THERMOSTAT

HOT WATER HEAT PARTS

Callout	Name	Quantity	Description
	PANEL Cat #: 36F84 Model/Part #: LB-39334AB	1	ACCESS
	MULLION Cat #: 32H52 Model/Part #: LB-49080CA	1	LEFT FROM ACCESS PANEL
	ADAPTER Cat #: P-8-8672 Model/Part #: P-8-8672	3	"1-5/8"--1-1/2""
4	COIL-HOT WATER	1	W/MANIFOLD

Callout	Name	Quantity	Description
	Cat #: 73G24 Model/Part #: LB-49405CA		
6	PAN-DRAIN Cat #: 73G23 Model/Part #: LB-49358CA	1	PAN-HOT WATER S.A.
8	MOTOR-VALVE Cat #: 50C7501 Model/Part #: 50C7501	1	"24V, SPRING RETURN(FOOTNOTE 2)"
9	LINKAGE-VALVE Cat #: 38615 Model/Part #: P-8-9571	1	LINKAGE-VALVE
11	VALVE-WATER Cat #: 37866 Model/Part #: P-8-4419	1	"1-1/2"'"
12	VALVE-WATER Cat #: 87359 Model/Part #: P-8-11033	1	"1/4"'"
13	VALVE-WATER Cat #: 87354 Model/Part #: P-8-10380	1	"1-1/2"'"

Note:

Note 1: SEE FIELD REPLACEMENT CRANKCASE HEATER CHART ON CRL CARD. Note2: MOTOR VALVE 50C7501 IS NOT AVAILABLE. ORDER HOT WATER HEAT KIT LB-59617CA. IF HOT WATER HEAT KIT HAS BEEN INSTALLED REPLACE MOTOR VALVE WITH 81G6401. Note 3: SUBS TO 80K5801; MUST ORDER P-8-2903 BUSHING WITH PULLEY.