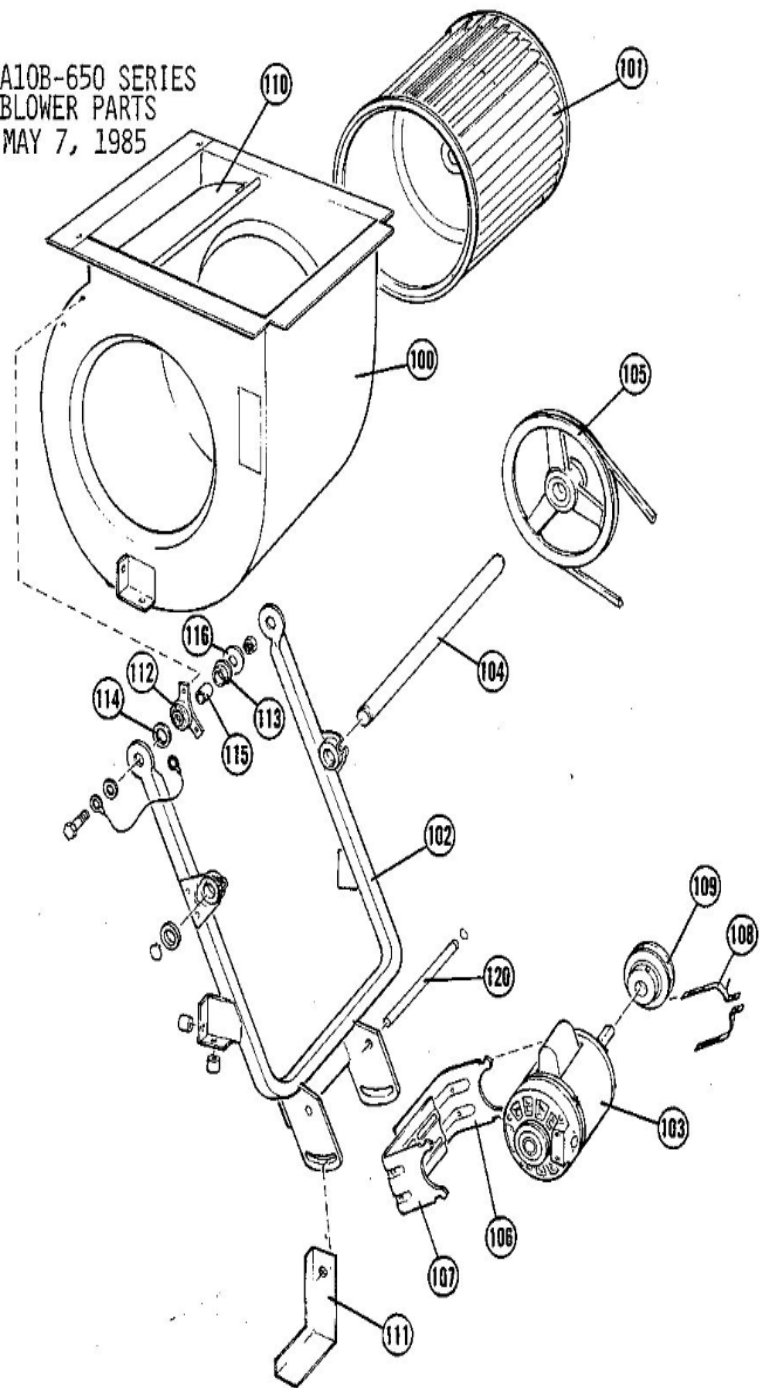


CHA10-260,311,410 SERIES

MAY 7, 1985

CHA10B-650 SERIES
BLOWER PARTS
MAY 7, 1985



Callout	Name	Quantity	Description
5	GUARD-FAN Cat #: 96C33 Model/Part #: 96C3301	1	GRILL

CONTROL PANEL PARTS

Callout	Name	Quantity	Description
	BUSHING-SNAP Cat #: 86065 Model/Part #: P-8-7102	1	"1/2""ID FOR 7/8"" OPENING"
37	CONTACTOR Cat #: 65C69 Model/Part #: 65C6901	1	"SPST,24V"
38	CAPACITOR-RUN Cat #: 46F44 Model/Part #: 46F4401	1	"35+5MFD,370VAC"
40	CONTROL-TIMED OFF Cat #: 32F21 Model/Part #: LB-50709BA	1	(OPTIONAL)

CONTROL PANEL PARTS (INTERNATIONAL ONLY)

Callout	Name	Quantity	Description
	BUSHING-SNAP Cat #: 86065 Model/Part #: P-8-7102	1	"1/2""ID FOR 7/8"" OPENING"
	BUSHING-SNAP Cat #: 57C55 Model/Part #: P-8-8920	1	"1-1/8""ID FOR 1-1/2""OPEN"
54	BLOCK-TERMINAL Cat #: LB-48709D Model/Part #: LB-48709D	1	FAB HI- VOLTTERMSTRIP
56	BLOCK-TERMINAL Cat #: 88C67 Model/Part #: 88C6701	1	STRIP, TERMINAL
60	CONTACTOR-COMPR Cat #: 66992 Model/Part #: P-8-2311	1	"DPST,24V (1PH ONLY)"

COOLING PARTS

Callout	Name	Quantity	Description
	VALVE-EXPANSION(FOOTNOTE 1) Cat #: Model/Part #:	1	

Callout	Name	Quantity	Description
	O-RING Cat #: 13B49 Model/Part #: 13B4901PR	1	"FOR 3/8"" SERVICE VALVE"
	CAP Cat #: 18G78 Model/Part #: 18G7801	1	END-FOR SERVICE VALVE
	RESTRICTOR-ORIFICE Cat #: 26F21 Model/Part #: 26F2101	1	(RFC II)
	FERRULE REPL PKG Cat #: 45C71 Model/Part #: 45C7101PR	1	(OPTIONAL)
	FERRULE REPL PKG Cat #: 45C73 Model/Part #: 45C7301PR	1	(OPTIONAL)
	UNION Cat #: 51A69 Model/Part #: 51A6901	1	(OPTIONAL)
	UNION Cat #: 51A70 Model/Part #: 51A7001	1	(OPTIONAL)
	DRIER Cat #: 58A63 Model/Part #: 58A6301	1	SUCTION LINE
	FITTING-PRESS TAP Cat #: 60F11 Model/Part #: 60F1101	1	FOR HI PRESS SWITCH(OPTIONAL)
	BUSHING-SNAP Cat #: 62A32 Model/Part #: 62A3201	1	"1""ID FOR 1-3/8"" OPENING"
	DRIER Cat #: 69H06 Model/Part #: 69H0601	1	LIQUID LINE(OPT)
	MOUNT-PKG-COMP Cat #: 94H81 Model/Part #: 94H8101PR	1	MOUNT PKG-COMP
	CAP-SEAL Cat #: 66817 Model/Part #: P-8-1401	1	FOR LOW PRESS SWITCH
	VALVE CORE Cat #: 66820 Model/Part #: P-8-1897	1	"FOR 3/8"" SERVICE VALVE"
	ADAPTER Cat #: 59351 Model/Part #: P-8-2510	1	(INTL ONLY)
	CAP-SEAL Cat #: 58114 Model/Part #: P-8-3187	1	"FOR 5/8"" SERVICE VALVE"
	COUPLING	1	"DISCH LINE,3/8"""

Callout	Name	Quantity	Description
	Cat #: P-8-5492 Model/Part #: P-8-5492		
	TEE Cat #: P-8-5588 Model/Part #: P-8-5588	1	"DISCH LINE,3/8'(INTL & OPT)"
10	COIL-OUTDOOR Cat #: 21G95 Model/Part #: LB-49573AW	1	COIL-OUTDOOR
13	VALVE-SERVICE Cat #: 50F72 Model/Part #: 50F7201	1	"LIQUID LINE,3/8""(OPTIONAL)"
13	VALVE-SERVICE Cat #: 64C67 Model/Part #: 64C6701	1	"LIQUID LINE,3/8""
14	VALVE-SERVICE Cat #: 38F34 Model/Part #: 38F3401	1	"SUCTION LINE,5/8""(INTL ONLY)"
14	VALVE-SERVICE Cat #: 96C64 Model/Part #: 96C6401	1	"SUCTION LINE,5/8""
20	SWITCH-HI PRESS Cat #: 44A97 Model/Part #: 96C2001	1	CUTOUT 410PSIG(OPTIONAL)
21	SWITCH-LO PRESS Cat #: 87265 Model/Part #: P-8-10978	1	"CUTIN 55PSIG,CUTOUT 25PSIG (OPTIONAL)"
22	FAN Cat #: 95C59 Model/Part #: 95C5901	1	"1/2"" BORE,18"" DIA,4 BLADE"
23	SHIELD-RAIN Cat #: 32621 Model/Part #: P-8-6142	1	SHIELD, MOTOR
24	MOTOR-FAN Cat #: 47F99 Model/Part #: 47F9901	1	"1/6HP,1075RPM,208- 230/60/1"
24	MOTOR-FAN Cat #: 50F11 Model/Part #: 50F1101	1	"1/5HP,900RPM,220- 240/50/1"
25	BRACKET-MTR MTG Cat #: 96C31 Model/Part #: 96C3101	1	MOUNT-MOTOR
35	COMPRESSOR Cat #: 87F9401 Model/Part #: 87F9401	1	"2TON,380- 420/50/3,TEC"

Note:

Note1: SEE FIELD REPLACEMENT CRANKCASE HEATER CHART ON CRL CARD. Note2: SEE EXPANSION VALVE CHART ON CRL CARD.