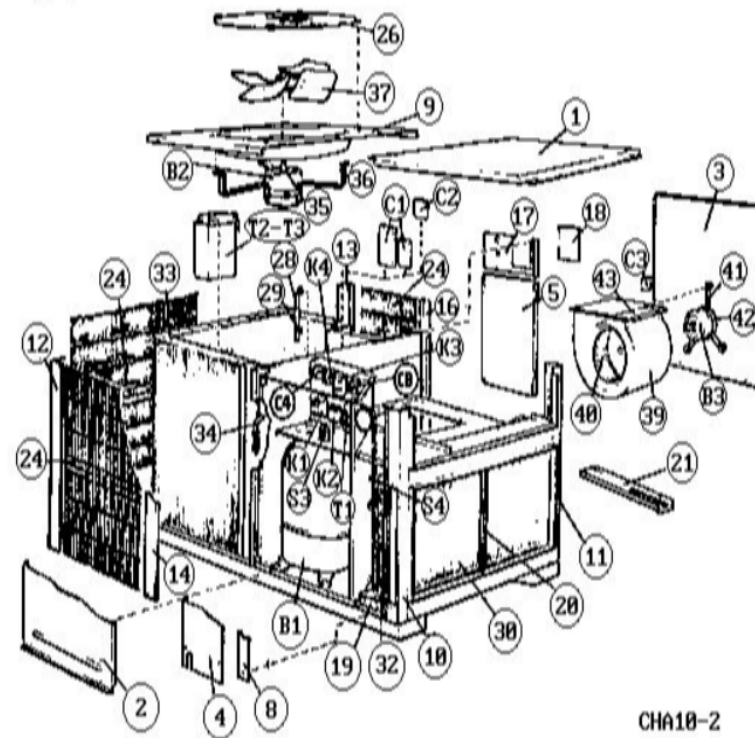


# CHA10-460,510,650 Series

May 7, 1985



Revision Number - 2

## BLOWER PARTS

Callout	Name	Quantity	Description
39	HOUSING-BLOWER Cat #: 73A64 Model/Part #: LB-43433BF	1	HSG-BLR
40	WHEEL-BLOWER Cat #: 16596 Model/Part #: P-8-10471	1	"1/2" BORE, 10-5/8" X 10-5/8"
41	ARM-MOTOR MOUNT Cat #: 32865 Model/Part #: P-8-9500	3	ARM-MOTOR MTG
42	BAND-MOTOR Cat #: LB-75126D Model/Part #: LB-75126D	1	FORM MOTOR BAND *
43	PLATE-CUTOFF Cat #: 15C11 Model/Part #: LB-43753C	1	PLATE-C/O
B3	MOTOR-BLOWER Cat #: 28C46 Model/Part #: 28C4601	1	"1HP, 1625RPM, 208-230/60/1 (FOOTNOTE 3)"
C3	CAPACITOR-BLR MTR Cat #: 81A43 Model/Part #: 81A4301	1	"20MFD, 370VAC (FOOTNOTE 3)"

## CABINET PARTS

Callout	Name	Quantity	Description
	SHIELD-DRIP Cat #: 12G46 Model/Part #: LB-43727B	1	DRAIN PAN
	COVER-CONTROL BOX Cat #: 83F61 Model/Part #: LB-43766C	1	(3 PHASE UNITS)
	COVER-CONTROL BOX Cat #: LB-43776C Model/Part #: LB-43776C	1	(1 PHASE UNITS)
1	PANEL-TOP Cat #: 44C50 Model/Part #: LB-34513CA	1	BLOWER SECTION
2	PANEL Cat #: 50431 Model/Part #: LB-43461CB	1	COMP SECTION
3	PANEL	1	I.D. BLOWER SECTION

<b>Callout</b>	<b>Name</b>	<b>Quantity</b>	<b>Description</b>
	Cat #: 50286 Model/Part #: LB-43770CA		
4	PANEL Cat #: 40A32 Model/Part #: LB-43767CA	1	I.D. COIL SECTION
5	PANEL Cat #: 67C58 Model/Part #: LB-33668B	1	OUTDOOR COIL SECTION
8	PANEL Cat #: 14F16 Model/Part #: LB-48911CB	1	FILTER SECTION
9	PANEL Cat #: 71C40 Model/Part #: LB-34534CA	1	ORIFICE
10	MULLION Cat #: 50356 Model/Part #: LB-43383CB	1	I.D.COIL-RIGHT REAR CORNER
11	MULLION Cat #: 51A59 Model/Part #: LB-43730CA	1	I.D.COIL-LEFT REAR CORNER
12	MULLION Cat #: 51C71 Model/Part #: LB-33657C	1	O.D.COIL-RIGHT FRONT CORNER
13	MULLION Cat #: 50C80 Model/Part #: LB-33658C	1	O.D.COIL-LEFT FRONT CORNER
14	MULLION Cat #: 44C52 Model/Part #: LB-33665C	1	O.D.COIL SECT TO COMP SECT
16	MULLION Cat #: LB-36666C Model/Part #: LB-36666C	1	O.D.COIL SECT TO BLOWER SECT
17	MULLION Cat #: 10F71 Model/Part #: LB-34517C	1	MAKEUP BOX
18	COVER Cat #: 83F60 Model/Part #: LB-49436D	1	MAKEUP BOX
19	PAN-DRAIN Cat #: 46C74 Model/Part #: LB-43348CB	1	PAN-DRAIN
20	ANGLE Cat #: 86C88 Model/Part #: LB-43762D	1	SECURING
21	SHIELD-DRIP Cat #: 11F07 Model/Part #: LB-34780C	1	SHIELD-DRIP
24	GRILLE Cat #: 57C39 Model/Part #: LB-34491B	3	(OPTIONAL-FOOTNOTE 1)

Callout	Name	Quantity	Description
26	GUARD-FAN Cat #: 64C70 Model/Part #: LB-34493C	1	GRILLE- DISCHARGE(REPLACED BY 56H2601)
30	FILTER-AIR Cat #: 30334 Model/Part #: P-8-7820	2	"16"" X 20"" X 1"" ,SLAB"

## CONTROL PANEL PARTS

Callout	Name	Quantity	Description
	FUSE Cat #: 10G74 Model/Part #: 10G7401	2	"TYPE FNQ,10AMP,500V (460V, U.S. ONLY)"
	HOLDER Cat #: 89F02 Model/Part #: 89F0201	2	"(460V, U.S. ONLY)"
	FUSE Cat #: 66247 Model/Part #: P-8-1674	1	"TRANSF-C TYPE,2.5AMP,250V"
	BUSHING-SNAP Cat #: 86795 Model/Part #: P-8-8278	3	"7/10""ID FOR 7/8""OPENING"
C4	CAPACITOR-START Cat #: 44A93 Model/Part #: 44A9301	1	"145-175MFD,330VAC(1 PH ONLY)"
CB	SWITCH Cat #: 38757 Model/Part #: P-8-10395	1	(1 PHASE ONLY)
K1	CONTACTOR Cat #: 68652 Model/Part #: P-8-7711	1	"DPDT,24V(1 PHASE UNITS)"
K1	CONTACTOR Cat #: 38393 Model/Part #: P-8-7736	1	"3PDT,24V(3 PHASE UNITS)"
K2	RELAY Cat #: 38246 Model/Part #: P-8-7355	1	"I.D.BLOWER-SPDT,24V"

Callout	Name	Quantity	Description
K3	RELAY Cat #: 37556 Model/Part #: P-8-7354	1	"FAN MOTOR-SPDT,24V(208/230V- 1 PHASE &
K4	RELAY-POTENTIAL Cat #: 66462 Model/Part #: P-8-1391	1	"SP,N.C.,420V(1 PHASE ONLY)"
S3	SWITCH Cat #: 79A77 Model/Part #: 79A7701	1	PRIMARY TRANSFORMER(208/230V ONLY)
T1	TRANSFORMER Cat #: 13H28 Model/Part #: 75A7901	1	"208/230VPRI,24V,50VA,W/FUSE"

## COOLING PARTS

Callout	Name	Quantity	Description
	HEATER-CRANKCASEINTERNAL Cat #: Model/Part #:	1	
	DRIER Cat #: 12L71 Model/Part #: 12L7101	1	LIQUID LINE
	SWITCH-HI PRESS Cat #: 44A97 Model/Part #: 44A9701	1	CUTOUT 410PSIG
	MOUNT PKG-COMP Cat #: 49A67 Model/Part #: 49A7001PR	1	PINS W/KEYS
	DRIER Cat #: 58A64 Model/Part #: 58A6401	1	SUCTION LINE
	CAP TUBE ASSY Cat #: 34C61 Model/Part #: LB-35322CA	1	W/O DISTRIBUTOR
	CAP-SEAL Cat #: 66817 Model/Part #: P-8-1401	3	FITTING-PRESSURE TAP

Callout	Name	Quantity	Description
	VALVE CORE Cat #: 66820 Model/Part #: P-8-1897	2	VALVE, CORE 8075910047
	CAP-SEAL Cat #: 58114 Model/Part #: P-8-3187	2	CAP, BRASS
	BUSHING-SNAP Cat #: 86795 Model/Part #: P-8-8278	4	"MAKEUP BOX-7/10""ID FOR 7/8"" OPENING"
	BOOT CAPACITOR Cat #: 37815 Model/Part #: P-8-878	3	(1 PHASE UNITS)
	MOUNT PKG-COMP Cat #: 36A68 Model/Part #: PR-364	1	BOLTS
32	COIL-INDOOR Cat #: 37C69 Model/Part #: LB-34753BA	1	W/MANIFOLD
33	COIL-OUTDOOR Cat #: 76F54 Model/Part #: LB-34448AM	1	W/MANIFOLD
34	DISTRIBUTOR Cat #: 37C64 Model/Part #: P-8-10573	1	LESS TUBES
35	SHIELD-RAIN Cat #: 32621 Model/Part #: P-8-6142	1	SHIELD, MOTOR
36	MOTOR MTG. BRACKET Cat #: 87A72 Model/Part #: 87A7201	1	BRACKET MOTOR MOUNT COND.
37	FAN ASS'Y Cat #: 68414 Model/Part #: P-8-6406	1	"1/2""BORE,24""DIA,4 BLADES"
B1	COMPRESSOR Cat #: 10B4001 Model/Part #: 10B4001	1	"5TON,208-230/60/1,LEN"

Callout	Name	Quantity	Description
B1	COMPRESSOR Cat #: 21J64 Model/Part #: 10B4101	1	"5TON,208-230/60/3,LEN"
B1	COMPRESSOR Cat #: 25J25 Model/Part #: 33F6401	1	"5TON,575/60/3,LEN"
B1	COMPRESSOR 460/60/3, LENNOX Cat #: 29M24 Model/Part #: 98C8701	1	"5TON,460/60/3,LEN"
B2	MOTOR-FAN Cat #: 41C83 Model/Part #: 76A7601	1	"1/2HP,1075RPM,208-230/60/1"
C1	CAPACITOR-RUN Cat #: 53H14 Model/Part #: 96C5301	1	"25MFD,440VAC(1 PHASE ONLY)"
C1	CAPACITOR-RUN Cat #: 53H15 Model/Part #: 96C5401	1	"30MFD,440VAC(1 PHASE ONLY)"
C2	CAPACITOR-FAN MTR Cat #: 53H06 Model/Part #: 96C4301	1	"15MFD,370VAC"
S4	SWITCH-LO PRESS Cat #: 38509 Model/Part #: P-8-9152	1	"CUTIN 30PSIG,CUTOUT 10PSIG"
T2	TRANSFORMER Cat #: 41C30 Model/Part #: 41C3001	1	"240/480VPRI,120/240VSEC, 3000VA,NO FUSE
T3	TRANSFORMER Cat #: 41C31 Model/Part #: 41C3101	1	"600VPRI,120/240VSEC,3000VA, NO FUSE(CAN

**Note:**

Note1: WHEN ORDERING--28C4601 MOTOR MUST BE MATCHED WITH 81A4301 CAPACITOR.

Note2: CUT TO SIZE FOR LEFT AND RIGHT GRILLES. Note3: WHEN ORDERING--57A3101  
MOTOR MUST BE MATCHED WITH 81A4201 CAPACITOR.