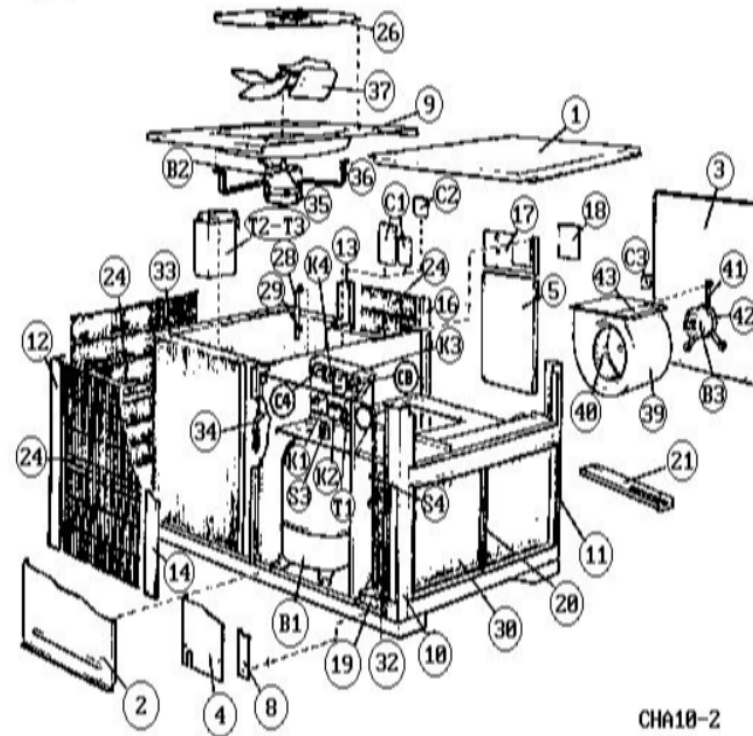


# CHA10-460,510,650 Series

May 7, 1985



CHA10-2

Revision Number - 1

## BLOWER PARTS

Callout	Name	Quantity	Description
39	HOUSING BLOWER (73A64) Cat #: LB-43433BC Model/Part #: LB-43433BC	1	(INTL ONLY)
39	HOUSING-BLOWER Cat #: 73A64 Model/Part #: LB-43433BF	1	HSG-BLR
40	WHEEL-BLOWER Cat #: 16596 Model/Part #: P-8-10471	1	"1/2"BORE,10-5/8" X 10-5/8"
41	ARM-MOTOR MOUNT Cat #: 32865 Model/Part #: P-8-9500	3	ARM-MOTOR MTG
42	BAND-MOTOR Cat #: LB-75126D Model/Part #: LB-75126D	1	FORM MOTOR BAND *
43	PLATE-CUTOFF Cat #: 15C11 Model/Part #: LB-43753C	1	PLATE-C/O
B3	MOTOR-BLOWER Cat #: 28C46 Model/Part #: 28C4601	1	"1HP,1625RPM,208/230/60/1 (LATE PROD-FOO
B3	MOTOR-BLOWER Cat #: 57A31 Model/Part #: 57A3101	1	"1HP,1625RPM,208-230/60/1 (EARLY PROD-FO
B3	MOTOR-BLOWER Cat #: 32941 Model/Part #: P-8-10351	1	"3/4HP,1625RPM,208-230/60/1 (INTL ONLY)"
C3	CAPACITOR Cat #: 81A39 Model/Part #: 81A3901	1	"7MFD,370VAC(INTL ONLY)"
C3	CAPACITOR-BLR MTR Cat #: 53H06 Model/Part #: 81A4201	1	"15MFD,370VAC(EARLY PROD- FOOTNOTE 2)"
C3	CAPACITOR-BLR MTR Cat #: 81A43 Model/Part #: 81A4301	1	"20MFD,370VAC(LATE PROD- FOOTNOTE 3)"

## CABINET PARTS

<b>Callout</b>	<b>Name</b>	<b>Quantity</b>	<b>Description</b>
	SHIELD-DRIP Cat #: 12G46 Model/Part #: LB-43727B	1	DRAIN PAN
	COVER-CONTROL BOX Cat #: 83F61 Model/Part #: LB-43766C	1	(3 PHASE UNITS)
	COVER-CONTROL BOX Cat #: LB-43776C Model/Part #: LB-43776C	1	(1 PHASE UNITS)
1	PANEL-TOP Cat #: 44C50 Model/Part #: LB-34513CA	1	BLOWER SECTION
2	PANEL Cat #: 50431 Model/Part #: LB-43461CB	1	COMP SECTION
3	PANEL Cat #: 50286 Model/Part #: LB-43770CA	1	I.D. BLOWER SECTION
4	PANEL Cat #: 40A32 Model/Part #: LB-43767CA	1	I.D. COIL SECTION
5	PANEL Cat #: 67C58 Model/Part #: LB-33668B	1	OUTDOOR COIL SECTION
8	PANEL Cat #: 14F16 Model/Part #: LB-48911CB	1	FILTER SECTION
9	PANEL Cat #: 71C40 Model/Part #: LB-34534CA	1	ORIFICE
10	MULLION Cat #: 50356 Model/Part #: LB-43383CB	1	I.D.COIL-RIGHT REAR CORNER
11	MULLION Cat #: 51A59 Model/Part #: LB-43730CA	1	I.D.COIL-LEFT REAR CORNER
12	MULLION Cat #: 51C71 Model/Part #: LB-33657C	1	O.D.COIL-RIGHT FRONT CORNER
13	MULLION Cat #: 50C80 Model/Part #: LB-33658C	1	O.D.COIL-LEFT FRONT CORNER
14	MULLION Cat #: 44C52 Model/Part #: LB-33665C	1	O.D.COIL SECT TO COMP SECT
16	MULLION Cat #: LB-36666C Model/Part #: LB-36666C	1	O.D.COIL SECT TO BLOWER SECT
17	MULLION	1	MAKEUP BOX

<b>Callout</b>	<b>Name</b>	<b>Quantity</b>	<b>Description</b>
	Cat #: 10F71 Model/Part #: LB-34517C		
18	COVER Cat #: 83F60 Model/Part #: LB-49436D	1	MAKEUP BOX
19	PAN-DRAIN Cat #: 46C74 Model/Part #: LB-43348CB	1	PAN-DRAIN
20	ANGLE Cat #: 86C88 Model/Part #: LB-43762D	1	SECURING
21	SHIELD-DRIP Cat #: 11F07 Model/Part #: LB-34780C	1	SHIELD-DRIP
24	GRILLE Cat #: 57C39 Model/Part #: LB-34491B	3	(OPTIONAL- FOOTNOTE 1)
26	GUARD-FAN Cat #: 64C70 Model/Part #: LB-34493C	1	GRILLE- DISCHARGE(REPLACED BY 56H2601)
28	BAR-BUSS Cat #: LB-21838 Model/Part #: LB-21838	1	(INTL ONLY)
29	BEARING Cat #: 68403 Model/Part #: P-8-4425	1	(INTL ONLY)
30	FILTER-AIR Cat #: 30334 Model/Part #: P-8-7820	2	"16" X 20" X 1",SLAB"

## CONTROL PANEL PARTS

<b>Callout</b>	<b>Name</b>	<b>Quantity</b>	<b>Description</b>
	FUSE Cat #: 66247 Model/Part #: P-8-1674	1	"TRANSF-C TYPE,2.5AMP,250V"
	BUSHING-SNAP Cat #: 86795 Model/Part #: P-8-8278	3	"7/10"ID FOR 7/8"OPENING"
C4	CAPACITOR-START Cat #: 66082 Model/Part #: P-8-1076	1	"108-120MFD,320VAC(1 PH ONLY)"
CB	SWITCH	1	(1 PHASE ONLY)

Callout	Name	Quantity	Description
	Cat #: 38757 Model/Part #: P-8-10395		
K1	CONTACTOR Cat #: 68652 Model/Part #: P-8-7711	1	"DPDT,24V(1 PHASE UNITS)"
K1	CONTACTOR Cat #: 38393 Model/Part #: P-8-7736	1	"3PDT,24V(3 PHASE UNITS)"
K2	RELAY Cat #: 38246 Model/Part #: P-8-7355	1	"I.D.BLOWER-SPDT,24V"
K3	RELAY Cat #: 37556 Model/Part #: P-8-7354	1	"FAN MOTOR- SPDT,24V(208/230V- 1 PHASE &
K4	RELAY-POTENTIAL Cat #: 45A00 Model/Part #: 45A0001	1	"SP,N.C.,420V(1 PHASE ONLY)"
S3	SWITCH Cat #: 79A77 Model/Part #: 79A7701	1	PRIMARY TRANSFORMER(208/230V ONLY)
T1	TRANSFORMER Cat #: 13H28 Model/Part #: 75A7901	1	"208/230VPRI,24V,50VA,W/FUSE"

## COOLING PARTS

Callout	Name	Quantity	Description
	HEATER-CRANKCASEINTERNAL Cat #: Model/Part #:	1	
	DRIER Cat #: 12L71 Model/Part #: 12L7101	1	LIQUID LINE
	DRIER Cat #: 58A64 Model/Part #: 58A6401	1	SUCTION LINE
	MOUNT PKG-COMP	1	(INTL ONLY)

Callout	Name	Quantity	Description
	Cat #: 27G99 Model/Part #: 79A7901PR		
	BLOCK-TERMINAL Cat #: 88C68 Model/Part #: 88C6801	1	MAKEUP BOX(INTL ONLY)
	CAP TUBE ASSY Cat #: 34C61 Model/Part #: LB- 35322CA	1	W/O DISTRIBUTOR
	CAP-SEAL Cat #: 66817 Model/Part #: P-8- 1401	3	FITTING-PRESSURE TAP
	VALVE CORE Cat #: 66820 Model/Part #: P-8- 1897	2	VALVE, CORE 8075910047
	CAP-SEAL Cat #: 58114 Model/Part #: P-8- 3187	2	CAP, BRASS
	BUSHING-SNAP Cat #: 86795 Model/Part #: P-8- 8278	4	"MAKEUP BOX-7/10""ID FOR 7/8"" OPENING"
	BOOT CAPACITOR Cat #: 37815 Model/Part #: P-8- 878	3	(1 PHASE UNITS)
	BLOCK-TERMINAL Cat #: 38713 Model/Part #: P-8- 9729	1	MAKEUP BOX(INTL ONLY)
	MOUNT PKG-COMP Cat #: 36A68 Model/Part #: PR- 364	1	MOUNT PKG-COMP
32	COIL-INDOOR Cat #: 37C69 Model/Part #: LB- 34753BA	1	W/MANIFOLD
33	COIL-OUTDOOR Cat #: 37C71 Model/Part #: LB- 34448AC	1	W/MANIFOLD
34	DISTRIBUTOR	1	LESS TUBES

Callout	Name	Quantity	Description
	Cat #: 37C64 Model/Part #: P-8-10573		
35	SHIELD-RAIN Cat #: 32621 Model/Part #: P-8-6142	1	SHIELD, MOTOR
36	MOTOR MTG. BRACKET Cat #: 87A72 Model/Part #: 87A7201	1	BRACKET MOTOR MOUNT COND.
37	FAN ASS'Y Cat #: 68414 Model/Part #: P-8-6406	1	"1/2""BORE,24""DIA,4 BLADES"
B1	COMPRESSOR Cat #: 29M24 Model/Part #: 48A5701	1	"4TON,380-420/50/3,TEC (INTL ONLY)"
B1	COMPRESSOR Cat #: 21J64 Model/Part #: 48A5901	1	"5TON,200-220/50/3,TEC (INTL ONLY)"
B1	COMPRESSOR Cat #: 65G80 Model/Part #: 90A8201	1	"5TON,575/60/3,COPE (CANADIAN ONLY)"
B1	COMPRESSOR Cat #: 25J57 Model/Part #: 90A8301	1	"5TON,208-230/60/1,COPE"
B1	COMPRESSOR Cat #: 65G78 Model/Part #: 92A9601	1	"5TON,208-230/60/3,COPE"
B1	COMPRESSOR 5TON, 380-420/50/3,COPE INTL Cat #: 65G79 Model/Part #: 92A9701	1	"5TON,460/60/3,COPE"
B2	MOTOR-FAN Cat #: 41C83 Model/Part #: 76A7601	1	"1/2HP,1075RPM,208-230/60/1"
C1	CAPACITOR-RUN Cat #: 53H14 Model/Part #: 96C5301	1	"25MFD,440VAC(1 PHASE ONLY)"

<b>Callout</b>	<b>Name</b>	<b>Quantity</b>	<b>Description</b>
C1	CAPACITOR-RUN Cat #: 53H15 Model/Part #: 96C5401	1	"30MFD,440VAC(1 PHASE ONLY)"
C2	CAPACITOR-FAN MTR Cat #: 53H06 Model/Part #: 96C4301	1	"15MFD,370VAC"
S4	SWITCH-LO PRESS Cat #: 38509 Model/Part #: P-8- 9152	1	"CUTIN 30PSIG,CUTOUT 10PSIG"
T2	TRANSFORMER Cat #: 41C30 Model/Part #: 41C3001	1	"240/480VPRI,120/240VSEC, 3000VA,NO FUSE
T3	TRANSFORMER Cat #: 41C31 Model/Part #: 41C3101	1	"600VPRI,120/240VSEC,3000VA, NO FUSE(CAN

**Note:**

Note1: WHEN ORDERING--28C4601 MOTOR MUST BE MATCHED WITH 81A4301 CAPACITOR.

Note2: CUT TO SIZE FOR LEFT AND RIGHT GRILLES. Note3: WHEN ORDERING--57A3101  
MOTOR MUST BE MATCHED WITH 81A4201 CAPACITOR.