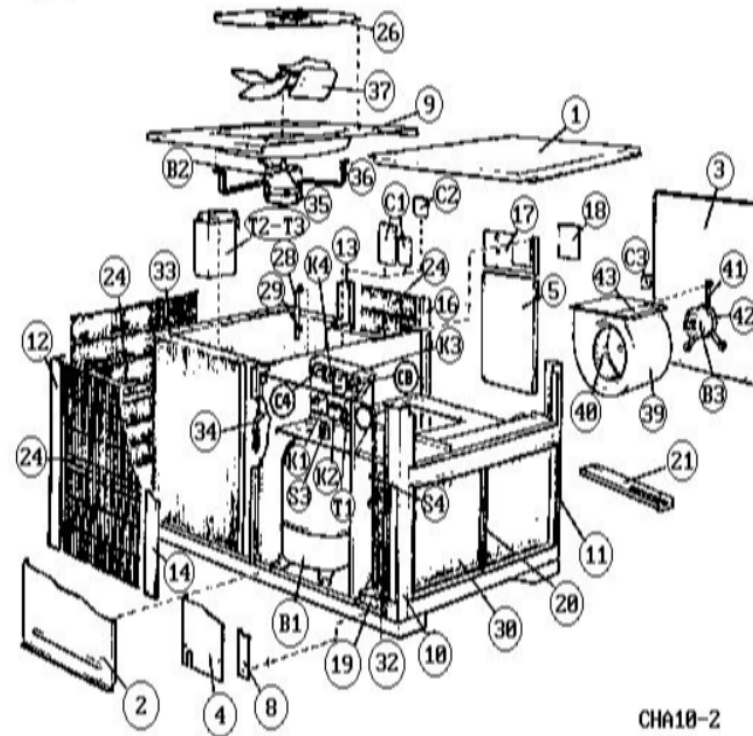


CHA10-460,510,650 Series

May 7, 1985



CHA10-2

Revision Number - 2

BLOWER PARTS

Callout	Name	Quantity	Description
39	HOUSING-BLOWER Cat #: LB-43433BG Model/Part #: LB-43433BG	1	HOUSING-BLOWER
40	WHEEL-BLOWER Cat #: 87A62 Model/Part #: 62A4101	1	"1/2"BORE,12-5/8" X 12-5/8"
41	MOUNT-MOTOR Cat #: 78A18 Model/Part #: LB-32877C	3	FRAME
43	PLATE-CUTOFF Cat #: 39A22 Model/Part #: LB-43754C	1	PLT C/O
B3	MOTOR-BLOWER Cat #: 45C4201 Model/Part #: 45C4201	1	"3/4HP,1075RPM,208-230/60/1"
C3	CAPACITOR-BLR MTR Cat #: 81A43 Model/Part #: 81A4301	1	"20MFD,370VAC"

CABINET PARTS

Callout	Name	Quantity	Description
	SHIELD-DRIP Cat #: 12G46 Model/Part #: LB-43727B	1	DRAIN PAN
	COVER-CONTROL BOX Cat #: 83F61 Model/Part #: LB-43766C	1	(3 PH UNITS)
	COVER-CONTROL BOX Cat #: LB-43776C Model/Part #: LB-43776C	1	(1 PH UNITS)
1	PANEL-TOP Cat #: 44C50 Model/Part #: LB-34513CA	1	BLOWER SECTION
2	PANEL Cat #: 51C59 Model/Part #: LB-43461CD	1	COMP SECTION
3	PANEL Cat #: 50286 Model/Part #: LB-43770CA	1	I.D. BLOWER SECTION
4	PANEL	1	I.D. COIL SECTION

Callout	Name	Quantity	Description
	Cat #: 40A32 Model/Part #: LB-43767CA		
5	PANEL Cat #: 67C58 Model/Part #: LB-33668B	1	OUTDOOR COIL SECTION
8	PANEL Cat #: 14F16 Model/Part #: LB-48911CB	1	FILTER SECTION
9	PANEL Cat #: 71C40 Model/Part #: LB-34534CA	1	ORIFICE
10	MULLION Cat #: 50356 Model/Part #: LB-43383CB	1	I.D.COIL-RIGHT REAR CORNER
11	MULLION Cat #: 51A59 Model/Part #: LB-43730CA	1	I.D.COIL-LEFT REAR CORNER
12	MULLION Cat #: 51C71 Model/Part #: LB-33657C	1	O.D.COIL-RIGHT FRONT CORNER
13	MULLION Cat #: 50C80 Model/Part #: LB-33658C	1	O.D.COIL-LEFT FRONT CORNER
14	MULLION Cat #: 44C52 Model/Part #: LB-33665C	1	O.D.COIL SECT TO COMP SECT
16	MULLION Cat #: 44C51 Model/Part #: LB-33666C	1	O.D.COIL SECT TO BLOWER SECT
17	MULLION Cat #: 10F71 Model/Part #: LB-34517C	1	MAKEUP BOX
18	COVER Cat #: 83F60 Model/Part #: LB-49436D	1	MAKEUP BOX
19	PAN-DRAIN Cat #: 70G10 Model/Part #: LB-43348CC	1	PAN-DRAIN
20	ANGLE Cat #: 86C88 Model/Part #: LB-43762D	1	SECURING
21	SHIELD-DRIP Cat #: 11F07 Model/Part #: LB-34780C	1	SHIELD-DRIP
24	GRILLE Cat #: 57C39 Model/Part #: LB-34491B	3	(OPTIONAL-FOOTNOTE 1)
26	GUARD-FAN Cat #: 64C70 Model/Part #: LB-34493C	1	GRILLE-DISCHARGE(REPLACED

Callout	Name	Quantity	Description
			BY 56H2601)
30	FILTER-AIR Cat #: 30334 Model/Part #: P-8-7820	2	"16"" X 20"" X 1"",SLAB"

CONTROL PANEL PARTS

Callout	Name	Quantity	Description
	FUSE Cat #: 10G74 Model/Part #: 10G7401	2	"TYPE FNQ,10AMP,500V (460V, U.S. ONLY)"
	CAPACITOR-START Cat #: 44A93 Model/Part #: 44A9301	1	"145-175MFD, 330VAC(1PH ONLY)"
	HOLDER Cat #: 89F02 Model/Part #: 89F0201	2	"(460V, U.S. ONLY)"
	ANGLE Cat #: 87174 Model/Part #: P-8-10411	2	CIRCUIT BREAKER MOUNTING
	RELAY-POTENTIAL Cat #: 66462 Model/Part #: P-8-1391	1	"SPNC,420V(1PH ONLY)"
	FUSE Cat #: 66247 Model/Part #: P-8-1674	1	"TRANSF-C TYPE,2.5AMP,250V"
CB	SWITCH Cat #: 38757 Model/Part #: P-8-10395	1	"2 POLE,30AMP,120/240VAC (1 PH ONLY)"
K1	CONTACTOR-COMPR Cat #: 37656 Model/Part #: P-8-7721	1	"DPDT,24V(1 PH UNITS)"
K1	CONTACTOR Cat #: 38393 Model/Part #: P-8-7736	1	"3PDT,24V(3 PH UNITS)"
K2	RELAY Cat #: 38246 Model/Part #: P-8-	1	"I.D.BLOWER-SPDT,24V"

Callout	Name	Quantity	Description
	7355		
K3	RELAY Cat #: 37556 Model/Part #: P-8-7354	1	"FAN MOTOR-SPDT,24V, (208-230/1 & 460/3
T1	TRANSFORMER Cat #: 13H28 Model/Part #: 75A7901	1	"208/230VPRI,24VSEC,50VA, W/FUSE"
T1	TRANSFORMER Cat #: 66571 Model/Part #: P-8-649	1	"230VPRI,24VSEC,50VA,W/FUSE (460V ONLY)"

COOLING PARTS

Callout	Name	Quantity	Description
	HEATER-CRANKCASECOMP-INTERNAL Cat #: Model/Part #:	1	
	DRIER Cat #: 12L71 Model/Part #: 12L7101	1	LIQUID LINE
	SWITCH-HI PRESS Cat #: 44A97 Model/Part #: 44A9701	1	"SPST,CUTOUT 410PSIG"
	DRIER Cat #: 58A64 Model/Part #: 58A6401	1	SUCTION LINE
	LOCKNUT Cat #: 89A40 Model/Part #: 89A4001	4	3/8 X 16
	DISTRIBUTOR ASSY Cat #: 34G69 Model/Part #: LB-35321CB	1	INDOOR
	CAP TUBE ASSY Cat #: 34G68 Model/Part #: LB-35322CB	1	CAP TUBE S.A.
	DISTRIBUTOR ASSY Cat #: 40G74 Model/Part #: LB-35323CB	1	OUTDOOR
	MOUNT PKG-COMP Cat #: LB-37485CA Model/Part #: LB-	1	MOUNT PKG-COMP

Callout	Name	Quantity	Description
	37485CA		
	THERMOSTAT Cat #: 87262 Model/Part #: P-8-10830	1	CRANKCASE-SPST
	CAP-SEAL Cat #: 66817 Model/Part #: P-8-1401	4	FITTING-PRESSURE TAP
	VALVE CORE Cat #: 66820 Model/Part #: P-8-1897	2	VALVE, CORE 8075910047
	CAP-SEAL Cat #: 58114 Model/Part #: P-8-3187	2	CAP, BRASS
32	COIL-INDOOR Cat #: 12G81 Model/Part #: LB-37467CB	1	W/MANIFOLD
33	COIL-OUTDOOR Cat #: 72C36 Model/Part #: LB-34448AG	1	W/MANIFOLD
35	SHIELD-RAIN Cat #: 32621 Model/Part #: P-8-6142	1	SHIELD, MOTOR
36	BRACKET-MTR MTG Cat #: 15C99 Model/Part #: 15C9901	1	BRKT-MTR MTG (63K62 REPLACES)
37	FAN Cat #: 45C51 Model/Part #: 45C5101	1	"1/2""BORE,24""DIA,4 BLADES"
B1	COMPRESSOR Cat #: 21J61 Model/Part #: 10B3901	1	"4TON,208-230/60/3,LENNOX"
B1	COMPRESSOR Cat #: 68J67 Model/Part #: 50C8201	1	"4TON,460/60/3,LENNOX"
B1	COMPRESSOR Cat #: 83A7001 Model/Part #: 83A7001	1	"4TON,208-230/60/1,LENNOX"
B2	MOTOR-FAN Cat #: 76C9401 Model/Part #: 76C9401	1	"1/4HP,825RPM,208-230/60/1"
C1	CAPACITOR-RUN Cat #: 53H18 Model/Part #: 96C5701	1	"45MFD,440VAC(1 PH ONLY)"

Callout	Name	Quantity	Description
C2	CAPACITOR Cat #: 81A39 Model/Part #: 81A3901	1	"7MFD,370VAC"
S4	SWITCH-LO PRESS Cat #: 87265 Model/Part #: P-8-10978	1	"CUTIN 55PSIG,CUTOUT 25PSIG"
T2	TRANSFORMER Cat #: 41C30 Model/Part #: 41C3001	1	"240/480VPRI,120/240VSEC, 3000VA,NO FUSE"

Note:

Note1: CUT TO SIZE FOR LEFT AND RIGHT GRILLES.