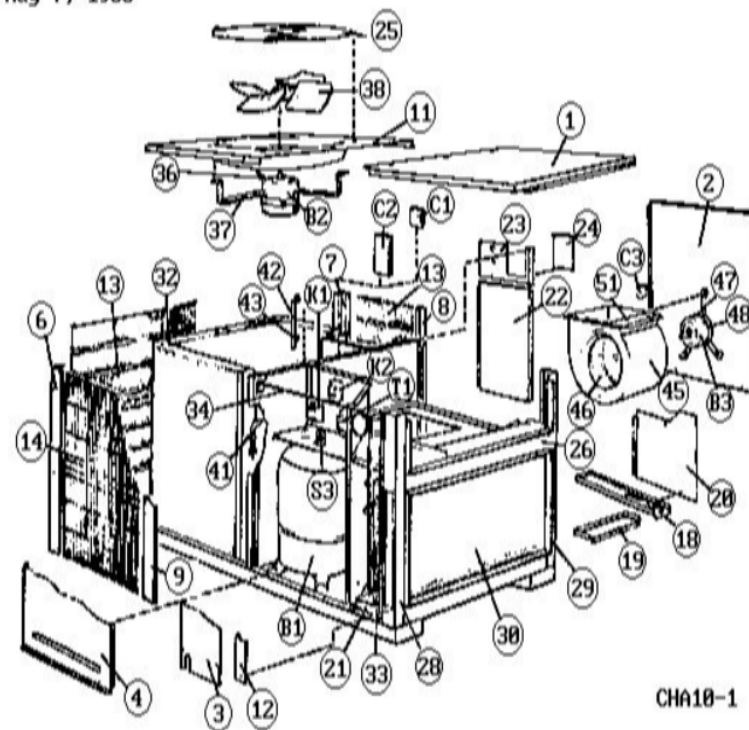


### CHA10-260,311,410 Series

May 7, 1985



CHA10-1

Revision Number - 1

## BLOWER PARTS

Callout	Name	Quantity	Description
45	HOUSING-BLOWER Cat #: 21911 Model/Part #: LB-43433BA	1	(INTL ONLY)
45	HOUSING-BLOWER Cat #: 84A58 Model/Part #: LB-43433BE	1	HSG-BLR
46	WHEEL-BLOWER Cat #: 10G44 Model/Part #: 57A6701	1	"1/2"BORE,11-1/2" X 9-5/8"
46	WHEEL-BLOWER Cat #: 21707 Model/Part #: P-5-219	1	"1/2"BORE,9-1/2" X 9-1/2" (INTL ONLY)
47	ARM-MOTOR MTG Cat #: 53740 Model/Part #: LB-42049CB	3	(INTL ONLY)
47	ARM-MOTOR MOUNT Cat #: 32865 Model/Part #: P-8-9500	3	ARM-MOTOR MTG
48	BAND-MOTOR Cat #: LB-75126D Model/Part #: LB-75126D	1	FORM MOTOR BAND *
51	PLATE-CUTOFF Cat #: 57A22 Model/Part #: LB-43446D	1	(INTL ONLY)
51	PLATE-CUTOFF Cat #: 34C59 Model/Part #: LB-75706DA	1	PLATE-CUT OFF ASSY
B3	MOTOR-BLOWER Cat #: 32941 Model/Part #: P-8-10351	1	"3/4HP,1625RPM,208- 230/50/1 (INTL ONLY)"
B3	MOTOR-BLOWER Cat #: 32909 Model/Part #: P-8-10431	1	"1/2HP,1075RPM,208- 230/60/1"
C3	CAPACITOR Cat #: 81A39 Model/Part #: 81A3901	1	"7MFD,370VAC"

## CABINET PARTS

Callout	Name	Quantity	Description
	COVER-CONTROL BOX	1	COVER-BOX

<b>Callout</b>	<b>Name</b>	<b>Quantity</b>	<b>Description</b>
	Cat #: 57C61 Model/Part #: LB-43458C		
	GROMMET Cat #: 36C66 Model/Part #: P-8-7324	4	MAKEUP BOX
1	PANEL-TOP Cat #: 43C76 Model/Part #: LB-33659CA	1	BLOWER SECTION
2	PANEL Cat #: 50231 Model/Part #: LB-43464CA	1	BLOWER SECTION
3	PANEL Cat #: 50321 Model/Part #: LB-43459CA	1	COIL SECTION
4	PANEL Cat #: 51C58 Model/Part #: LB-43461CC	1	COMP SECTION
6	MULLION Cat #: 51C71 Model/Part #: LB-33657C	1	CORNER-O.D. COIL-RIGHT FRONT
7	MULLION Cat #: 50C80 Model/Part #: LB-33658C	1	CORNER-O.D. COIL-LEFT FRONT
8	MULLION Cat #: 44C51 Model/Part #: LB-33666C	1	O.D. COIL TO BLO SECT-LEFT
9	MULLION Cat #: 44C52 Model/Part #: LB-33665C	1	O.D. COIL TO COMP SECT- RIGHT
11	PANEL Cat #: 56C16 Model/Part #: LB-33671A	1	ORIFICE- BLOWER SECTION
12	PANEL Cat #: 14F15 Model/Part #: LB-48911CA	1	FILTER SECTION
13	GUARD-OUTDOOR COIL Cat #: 51C69 Model/Part #: LB-33656B	1	LEFT(OPTIONAL- FOOTNOTE 1)
14	GUARD-OUTDOOR COIL Cat #: 51C69 Model/Part #: LB-33656B	1	LEFT(OPTIONAL- FOOTNOTE 1)
16	GUARD-OUTDOOR COIL Cat #: 51C69 Model/Part #: LB-33656B	1	LEFT(OPTIONAL- FOOTNOTE 1)
22	PANEL	1	OUTDOOR COIL

<b>Callout</b>	<b>Name</b>	<b>Quantity</b>	<b>Description</b>
	Cat #: 67C58 Model/Part #: LB-33668B		SECT
23	MULLION Cat #: 19F38 Model/Part #: LB-33667C	1	MAKE-UP BOX
24	COVER Cat #: LB-49435D Model/Part #: LB-49435D	1	MAKEUP BOX
25	GRILLE-DISCHARGE Cat #: 64C71 Model/Part #: LB-33672B	1	GRILLE-DSC
26	CENTERPIECE Cat #: 61A52 Model/Part #: LB-43431C	1	CENTERPIECE- OUTLET END
28	MULLION Cat #: 50337 Model/Part #: LB-43383CA	1	CORNER-I.D. COIL-RIGHT REAR
29	MULLION Cat #: 50181 Model/Part #: LB-43387CA	1	CORNER-I.D. COIL-LEFT REAR
30	FILTER Cat #: 30335 Model/Part #: P-8-7822	1	"16" X 25" X 1",SLAB"

## CONTROL PANEL PARTS

<b>Callout</b>	<b>Name</b>	<b>Quantity</b>	<b>Description</b>
	FUSE Cat #: 66247 Model/Part #: P-8-1674	1	"TRANSFORMER-C TYPE,2.5AMP, 250V"
	BUSHING-SNAP Cat #: 86795 Model/Part #: P-8-8278	2	"7/10"ID FOR 7/8"OPENING"
K1	CONTACTOR Cat #: 38393 Model/Part #: P-8-7736	1	"3PDT,24V(3PHASE UNITS)"
K1	CONTACTOR Cat #: 66441 Model/Part #: P-8-9549	1	"DPDT,24V(1PHASE UNITS)"
K2	RELAY Cat #: 38246 Model/Part #: P-8-7355	1	"I.D. BLOWER-SPDT,24V"

Callout	Name	Quantity	Description
S3	SWITCH Cat #: 79A77 Model/Part #: 79A7701	1	TRANSFORMER PRIMARY-SPDT
T1	TRANSFORMER Cat #: 13H28 Model/Part #: 75A7901	1	"208/230VPRI,24VSEC,50VA W/FUSE"
T1	TRANSFORMER Cat #: 66571 Model/Part #: P-8- 649	1	"230VPRI,24VSEC,50VA,W/FUSE (INTL ONLY)"

## COOLING PARTS

Callout	Name	Quantity	Description
	RELAY-OVERLOADCOMP-INTERNAL Cat #: Model/Part #:	1	
	DRIER Cat #: 24L24 Model/Part #: 24L2401	1	SUCTION LINE
	DRIER Cat #: 69H06 Model/Part #: 69H0601	1	LIQUID LINE
	BLOCK-TERMINAL Cat #: 88C67 Model/Part #: 88C6701	1	MAKEUP BOX(1PH-INTL ONLY)
	BLOCK-TERMINAL Cat #: 88C68 Model/Part #: 88C6801	1	MAKEUP BOX(3PH-INTL ONLY)
	SHIELD-DRIP Cat #: 55C99 Model/Part #: LB-43355C	1	DRAIN PAN
	CAP-SEAL Cat #: 66817 Model/Part #: P-8-1401	2	FITTING-PRESSURE TAP
	VALVE CORE Cat #: 66820 Model/Part #: P-8-1897	2	VALVE, CORE 8075910047
	CAP-SEAL Cat #: 58114 Model/Part #: P-8-3187	2	CAP, BRASS
	BOOT CAPACITOR Cat #: 37815 Model/Part #: P-8-878	2	BOOT, CAPACITOR
	MOUNT PKG-COMP	1	(INTL ONLY)

Callout	Name	Quantity	Description
	Cat #: 36A67 Model/Part #: PR-363		
	MOUNT PKG-COMP Cat #: 36A68 Model/Part #: PR-364	1	MOUNT PKG-COMP
18	SHIELD-DRIP Cat #: LB-32458CA Model/Part #: LB-32458CA	1	SHIELD-DRIP
19	CENTERPIECE Cat #: LB-32460B Model/Part #: LB-32460B	1	DRIP SHIELD
20	DIVIDER Cat #: LB-32461B Model/Part #: LB-32461B	1	DRIP SHIELD
21	PAN-DRAIN Cat #: 72C09 Model/Part #: LB-43348CA	1	PAN-DRAIN
32	COIL-OUTDOOR Cat #: 28C42 Model/Part #: LB-34448AA	1	COIL ASSY
33	COIL-INDOOR Cat #: 23C15 Model/Part #: LB-35316CA	1	COIL ASSY
34	CAP TUBE ASSY Cat #: 34C60 Model/Part #: LB-33645CA	1	CAP TUBE
36	SHIELD-RAIN Cat #: 32621 Model/Part #: P-8-6142	1	SHIELD, MOTOR
37	BRACKET-MTR MTG Cat #: 66A01 Model/Part #: 66A0101	1	MOUNT-MOTOR-WIRE
38	FAN Cat #: 36A74 Model/Part #: P-8-11098	1	"1/2""BORE,20"" DIA,4 BLADES"
42	BAR-BUSS Cat #: LB-21838 Model/Part #: LB-21838	1	(INTL ONLY)
43	BEARING Cat #: 68403 Model/Part #: P-8-4425	1	BUSS BAR(INTL ONLY)
B1	COMPRESSOR Cat #: 41K43 Model/Part #: 47A5801	1	"3TON,220-240/50/1,TEC (INTL ONLY)"
B1	COMPRESSOR	1	"3TON,208-

<b>Callout</b>	<b>Name</b>	<b>Quantity</b>	<b>Description</b>
	Cat #: 15M47 Model/Part #: P-8-10767		230/60/1,COPE"
B1	COMPRESSOR Cat #: P-8-10768 Model/Part #: P-8-10768	1	"3TON,208-230/60/3,COPE"
B1	COMPRESSOR Cat #: 14K51 Model/Part #: P-8-10834	1	"3TON,380-420/50/3,TEC (INTL ONLY)"
B2	MOTOR-FAN Cat #: 86A19 Model/Part #: 86A1901	1	"1/4HP,1075RPM,208-230/60/1"
C1	CAPACITOR Cat #: 81A39 Model/Part #: 81A3901	1	"7MFD,370VAC"
C2	CAPACITOR-RUN Cat #: 53H16 Model/Part #: 96C4701	1	"35MFD,370VAC(1PHASE-INTL ONLY)"
C2	CAPACITOR-RUN Cat #: 96C56 Model/Part #: 96C5601	1	"40MFD,440VAC(1PHASE ONLY)"

**Note:**

Note1: THIS GUARD MUST BE CUT TO SIZE.