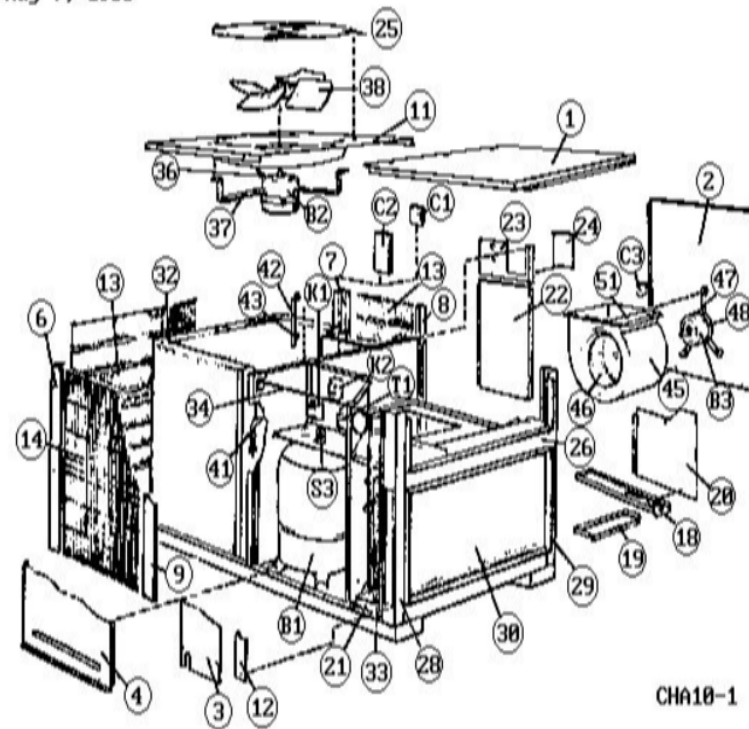


CHA10-260,311,410 Series

May 7, 1985



CHA10-1

Revision Number - 2

BLOWER PARTS

Callout	Name	Quantity	Description
45	HOUSING-BLOWER Cat #: 21893 Model/Part #: LB-43433BB	1	BLOWER HOUSING
46	WHEEL-BLOWER Cat #: 21706 Model/Part #: LB-29333BL	1	"1/2"BORE,10-5/8" X 9-1/2"
47	ARM-MOTOR MOUNT Cat #: 32865 Model/Part #: P-8-9500	3	ARM-MOTOR MTG
48	BAND-MOTOR Cat #: LB-75126D Model/Part #: LB-75126D	1	FORM MOTOR BAND *
51	PLATE-CUTOFF Cat #: 56A47 Model/Part #: LB-43447C	1	PLATE-CUTOFF
B3	MOTOR-BLOWER Cat #: 32803 Model/Part #: 35A9001	1	"1/4HP,1075RPM,208- 230/60/1"
C3	CAPACITOR-FAN MTR Cat #: 53H02 Model/Part #: 81A3801	1	"5MFD,370VAC"

CABINET PARTS

Callout	Name	Quantity	Description
	SHIELD-DRIP Cat #: 55C99 Model/Part #: LB-43355C	1	DRAIN PAN
	COVER-CONTROL BOX Cat #: 57C61 Model/Part #: LB-43458C	1	COVER-BOX
	GROMMET Cat #: 36C66 Model/Part #: P-8-7324	4	"MAKEUP BOX 7/8" I.D. FOR 1-1/8" OPENI
1	PANEL-TOP Cat #: 43C76 Model/Part #: LB-33659CA	1	BLOWER SECTION
2	PANEL Cat #: 50231 Model/Part #: LB-43464CA	1	BLOWER SECTION
3	PANEL	1	COIL SECTION

Callout	Name	Quantity	Description
	Cat #: 50321 Model/Part #: LB-43459CA		
4	PANEL Cat #: 51C58 Model/Part #: LB-43461CC	1	COMP SECTION
6	MULLION Cat #: 51C71 Model/Part #: LB-33657C	1	CORNER O.D.COIL- RIGHT FRONT
7	MULLION Cat #: 50C80 Model/Part #: LB-33658C	1	CORNER O.D.COIL- LEFT FRONT
8	MULLION Cat #: 44C51 Model/Part #: LB-33666C	1	O.D.COIL-BLO SECT- LEFT
9	MULLION Cat #: 44C52 Model/Part #: LB-33665C	1	O.D.COIL-COMP SECT-RIGHT
11	PANEL Cat #: 56C16 Model/Part #: LB-33671A	1	ORIFICE BLR SECT
12	PANEL Cat #: 14F15 Model/Part #: LB-48911CA	1	FILTER SECTION
13	GUARD-OUTDOOR COIL Cat #: 51C69 Model/Part #: LB-33656B	1	FRONT (OPTIONAL- FOOTNOTE 1)
14	GUARD-OUTDOOR COIL Cat #: 51C69 Model/Part #: LB-33656B	1	FRONT (OPTIONAL- FOOTNOTE 1)
18	SHIELD-DRIP Cat #: LB-76036D Model/Part #: LB-76036D	1	SHIELD-DRIP
21	PAN-DRAIN Cat #: 72C09 Model/Part #: LB-43348CA	1	PAN-DRAIN
22	PANEL Cat #: 67C58 Model/Part #: LB-33668B	1	O.D.COIL SECT
23	MULLION Cat #: 19F38 Model/Part #: LB-33667C	1	MAKEUP BOX
24	COVER Cat #: LB-49435D Model/Part #: LB-49435D	1	MAKEUP BOX
25	GRILLE-DISCHARGE Cat #: LB-33612B Model/Part #: LB-33612B	1	GRILLE-DISCHARGE
26	CENTERPIECE Cat #: 61A52 Model/Part #: LB-43431C	1	OUTLET END

Callout	Name	Quantity	Description
28	MULLION Cat #: 50337 Model/Part #: LB-43383CA	1	CORNER I.D.COIL- RIGHT REAR
29	MULLION Cat #: 50181 Model/Part #: LB-43387CA	1	CORNER I.D.COIL- LEFT REAR
30	FILTER Cat #: 30335 Model/Part #: P-8-7822	1	"16" X 25" X 1", SLAB"

CONTROL PANEL PARTS

Callout	Name	Quantity	Description
	FUSE Cat #: 66247 Model/Part #: P-8- 1674	1	"TRANSF-C TYPE,2.5AMP,250V"
	BUSHING-SNAP Cat #: 86795 Model/Part #: P-8- 8278	2	"7/10" I.D.FOR 7/8" OPENING"
K1	CONTACTOR-COMPR Cat #: 66992 Model/Part #: P-8- 2311	1	"DPST,24V (1 PH ONLY)"
K2	RELAY Cat #: 38246 Model/Part #: P-8- 7355	1	"I.D.BLOWER-SPDT,24V"
T1	TRANSFORMER Cat #: 13H28 Model/Part #: 75A7901	1	"208/230VPRI,24V,50VA,W/FUSE"

COOLING PARTS

Callout	Name	Quantity	Description
	RELAY-OVERLOADCOMP-INTERNAL Cat #: Model/Part #:	1	
	DRIER Cat #: 24L24 Model/Part #: 24L2401	1	SUCTION LINE
	DRIER Cat #: 69H06 Model/Part #: 69H0601	1	LIQUID LINE

Callout	Name	Quantity	Description
	CAP-SEAL Cat #: 66817 Model/Part #: P-8-1401	1	FITTING-PRESSURE TAP
	VALVE CORE Cat #: 66820 Model/Part #: P-8-1897	1	VALVE, CORE 8075910047
	CAP-SEAL Cat #: 58114 Model/Part #: P-8-3187	1	CAP, BRASS
	MOUNT PKG-COMP Cat #: 36A68 Model/Part #: PR-364	1	MOUNT PKG-COMP
32	COIL-OUTDOOR Cat #: 35G18 Model/Part #: LB-34448AE	1	L/MANIFOLD
33	COIL-INDOOR Cat #: LB-37197C Model/Part #: LB-37197C	1	L/MANIFOLD
34	CAP TUBE ASSY Cat #: 66C90 Model/Part #: LB-33645CC	1	CAP TUBE ASSY
36	SHIELD-RAIN Cat #: 32621 Model/Part #: P-8-6142	1	SHIELD, MOTOR
37	BRACKET-MTR MTG Cat #: 66A01 Model/Part #: 66A0101	1	MOUNT-MOTOR- WIRE
38	FAN Cat #: 36A74 Model/Part #: P-8-11098	1	"1/2""BORE,20""DIA,4 BLADES"
B1	COMPRESSOR Cat #: 82F7201 Model/Part #: 82F7201	1	"2TON,208- 230/60/1,TEC"
B2	MOTOR-FAN Cat #: 86A19 Model/Part #: 86A1901	1	"1/4HP,1075RPM,208- 230/60/1"
C1	CAPACITOR Cat #: 81A39 Model/Part #: 81A3901	1	"7MFD,370VAC"
C2	CAPACITOR-RUN Cat #: 53H08 Model/Part #: 96C4501	1	"25MFD,370VAC"

Note:

Note1: CUT TO SIZE FOR LEFT GRILLES.